



MODEL G2530

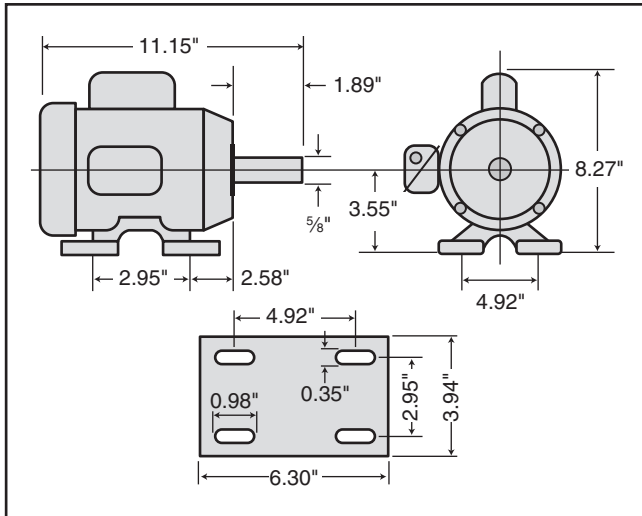
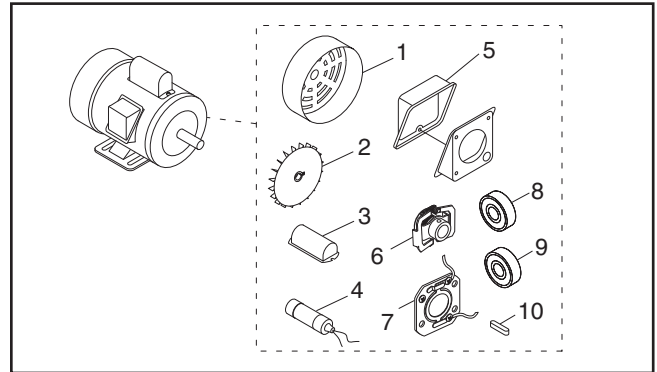
3/4 HP ELECTRIC MOTOR

INSTRUCTION SHEET

Model G2530 Specifications

Power 3/4 HP
 Cycle..... 60 Hz
 Voltage 110V/220V
 Prewired 110V
 Amps 10.3A/5.2A
 Speed 1725 RPM
 Phase Single-Phase
 Class..... E
 Start Capacitor 200MFD 125VAC
 Dimensions..... 1 3/8" D x 2 3/8" L

Replaceable Parts

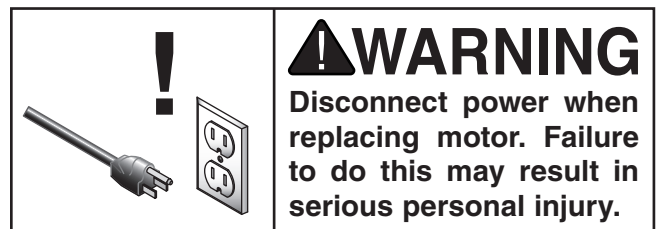
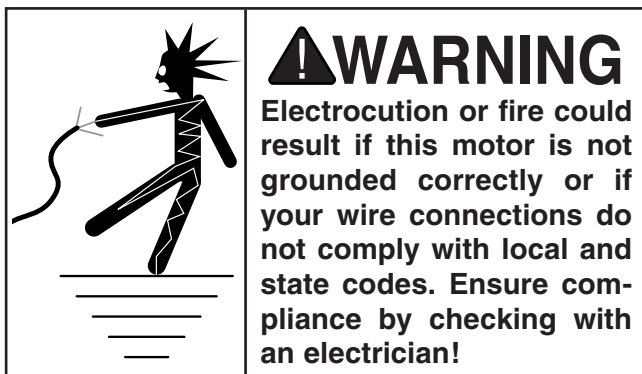


REF PART # DESCRIPTION

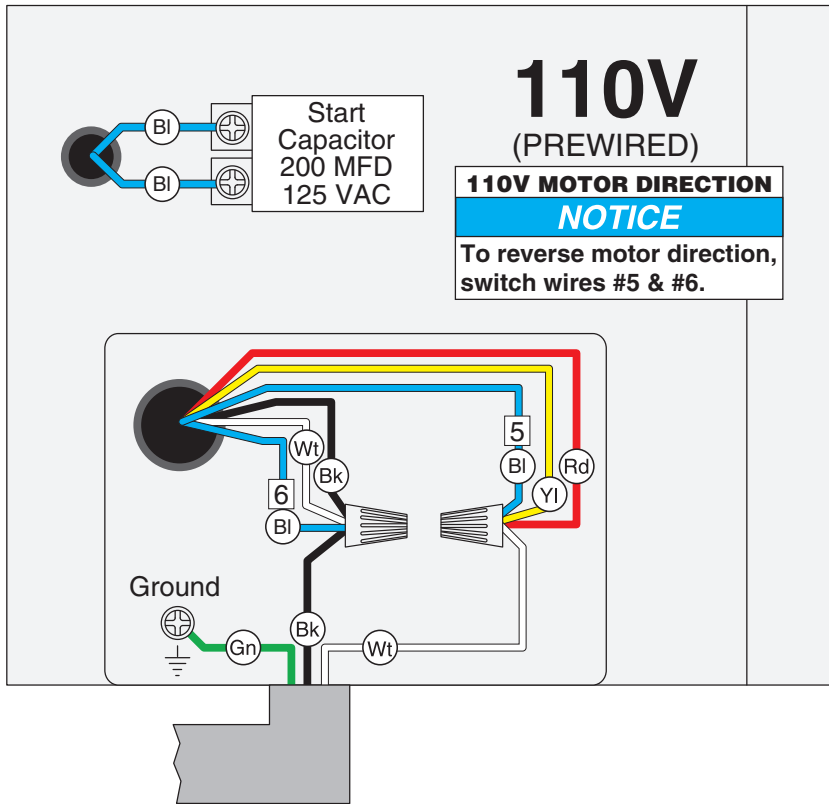
REF	PART #	DESCRIPTION
1	P2530001	MOTOR FAN COVER
2	P2530002	MOTOR FAN
3	P2527003	S CAPACITOR COVER
4	PC200I	S CAPACITOR 200M 125V 1-3/8 X 2-3/8
5	P2530005	JUNCTION BOX
6	PCS006	CENTRIFUGAL SWITCH 1/2-1725
7	PCP001	CONTACT PLATE
8	P6202ZZ	BALL BEARING 6202ZZ
9	P6203ZZ	BALL BEARING 6203ZZ
10	PK15	KEY 3/16 X 3/16 X 1-1/4

Making Wire Connections

If you are unsure how to attach wires to terminals, DO NOT continue. Contact an electrician for assistance. Connecting wires improperly may cause them to come loose or contact other wires, which can cause electrocution, fire, or a short.



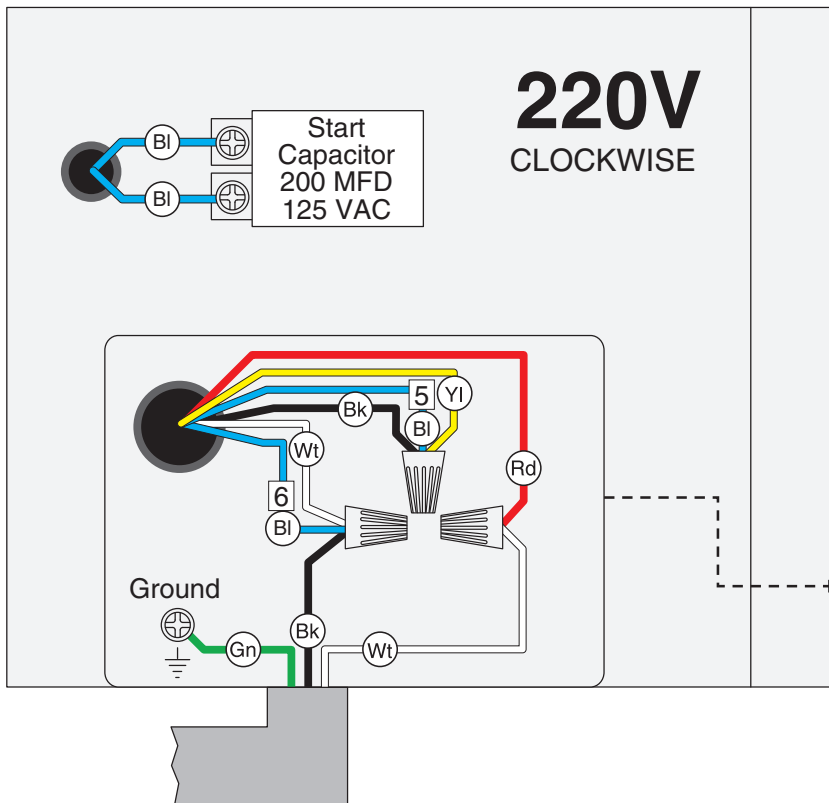
G2530 Wiring Diagram



View this page in color at www.grizzly.com.

COLOR KEY

BLACK	— (Bk) —
WHITE	— (Wt) —
GREEN	— (Gn) —
RED	— (Rd) —
YELLOW	— (Yl) —
BLUE	— (Bl) —



NOTICE
The motor wiring shown here is current at the time of printing, but it may not match your machine. Always use the wiring diagram inside the motor junction box.

