



MODEL G2531

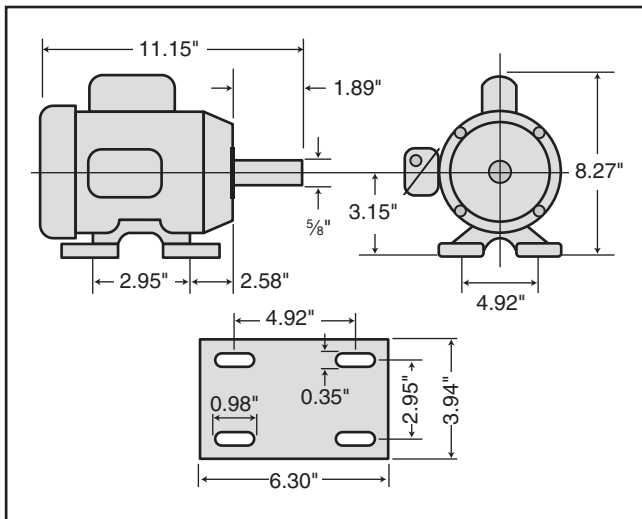
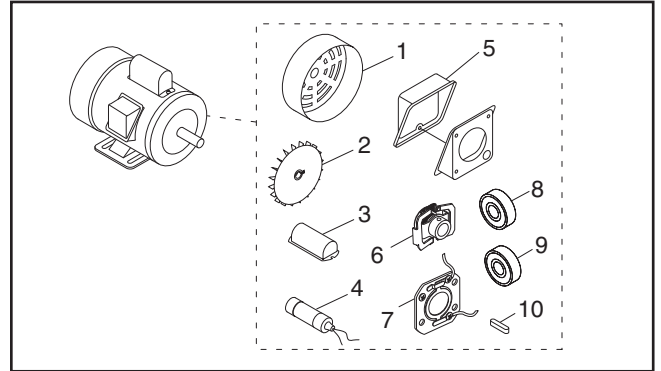
3/4 HP ELECTRIC MOTOR

INSTRUCTION SHEET

Model G2531 Specifications

Power 3/4 HP
 Cycle..... 60 Hz
 Voltage 110V/220V
 Rewired 110V
 Amps 9.6/4.8A
 Speed 3450 RPM
 Phase Single-Phase
 Class..... E
 Start Capacitor 200MFD 125VAC
 Dimensions..... 1 3/8" D x 2 3/8" L

Replaceable Parts




REF PART # DESCRIPTION

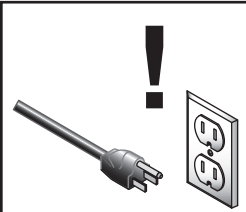
REF	PART #	DESCRIPTION
1	P2531001	MOTOR FAN COVER
2	P2531002	MOTOR FAN
3	P2527003	S CAPACITOR COVER
4	PC200I	S CAPACITOR 200M 125V 1-3/8 X 2-3/8
5	P2531005	JUNCTION BOX
6	PCS007	CENTRIFUGAL SWITCH 1/2-3450
7	PCP001	CONTACT PLATE
8	P6202ZZ	BALL BEARING 6202ZZ
9	P6203ZZ	BALL BEARING 6203ZZ
10	PK15	KEY 3/16 X 3/16 X 1-1/4

Making Wire Connections

If you are unsure how to attach wires to terminals, DO NOT continue. Contact an electrician for assistance. Connecting wires improperly may cause them to come loose or contact other wires, which can cause electrocution, fire, or a short.



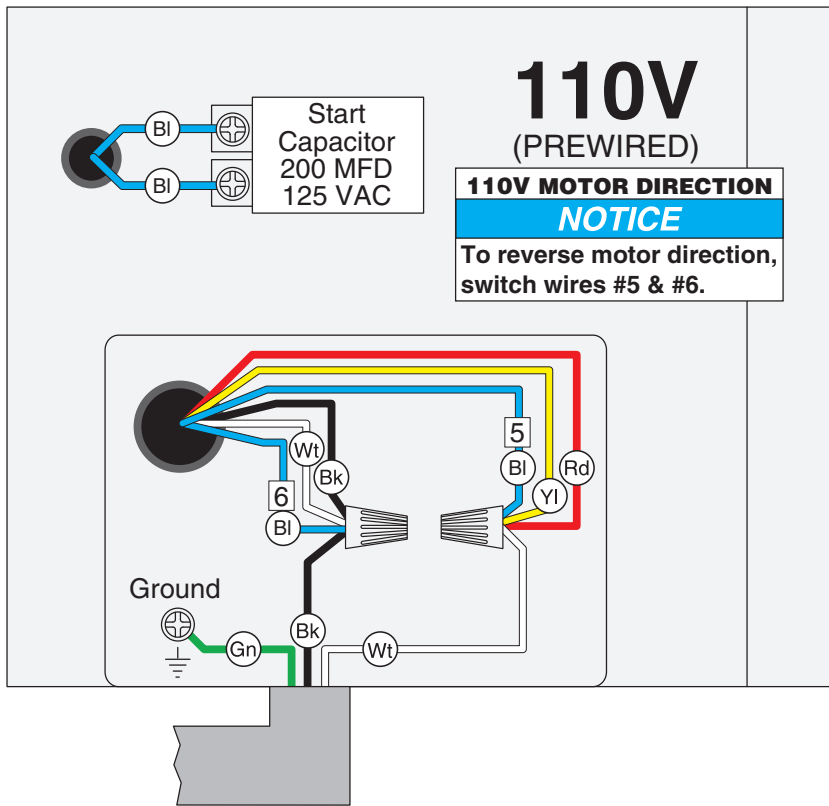
⚠ WARNING
 Electrocution or fire could result if this motor is not grounded correctly or if your wire connections do not comply with local and state codes. Ensure compliance by checking with an electrician!



⚠ WARNING
 Disconnect power when replacing motor. Failure to do this may result in serious personal injury.

G2531 Wiring Diagram

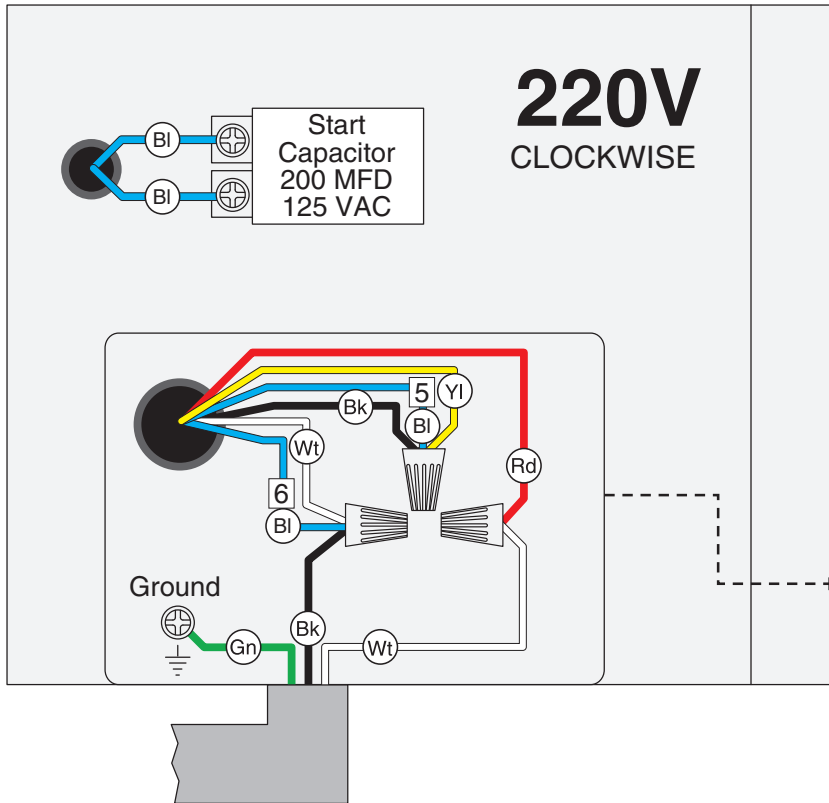
View this page in color at www.grizzly.com.



COLOR KEY

BLACK	— (Bk) —
WHITE	— (Wt) —
GREEN	— (Gn) —
RED	— (Rd) —
YELLOW	— (Yl) —
BLUE	— (Bl) —

⚠ WARNING!
SHOCK HAZARD!
Disconnect power
before working on
wiring.



NOTICE

The motor wiring shown here is current at the time of printing, but it may not match your machine. Always use the wiring diagram inside the motor junction box.

