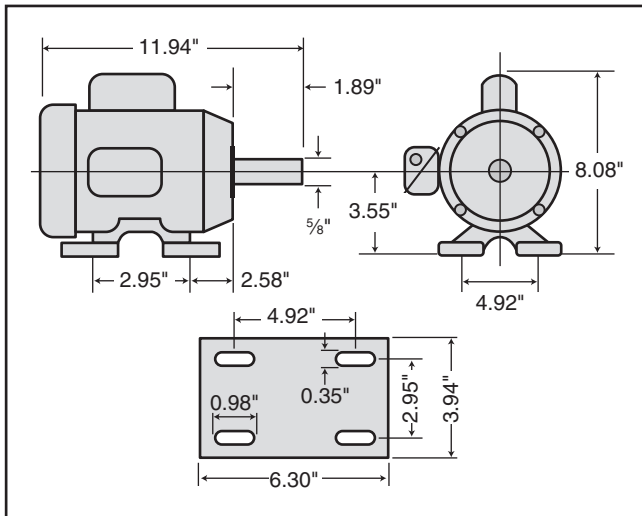




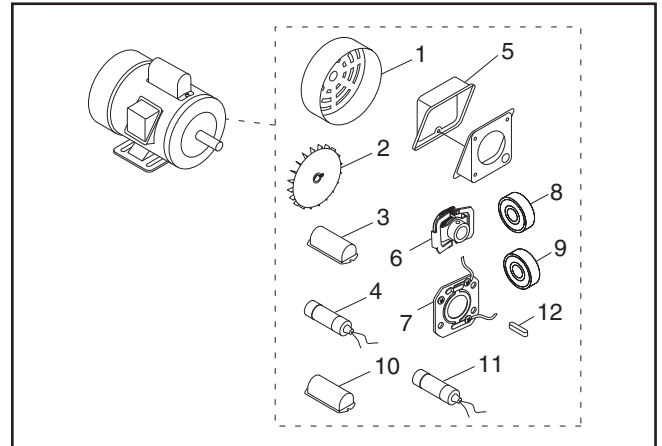
# MODEL G2532 1 HP ELECTRIC MOTOR INSTRUCTION SHEET

## Model G2532 Specifications

Power ..... 1 HP  
 Cycle.....60 Hz  
 Voltage ..... 110V/220V  
 Prewired ..... 110V  
 Amps ..... 11.6/5.8A  
 Speed ..... 1725 RPM  
 Phase ..... Single-Phase  
 Class..... E  
 Start Capacitor ..... 300MFD 125VAC  
 Dimensions..... 1 $\frac{3}{4}$ " D x 3 $\frac{3}{8}$ "L  
 Run Capacitor ..... 30MFD 250VAC  
 Dimensions..... 1 $\frac{1}{2}$ "D x 2 $\frac{3}{4}$ "L



## Replaceable Parts



REF	PART #	DESCRIPTION
1	P2532001	MOTOR FAN COVER
2	P2532002	MOTOR FAN
3	P2532003	S CAPACITOR COVER
4	PC300B	S CAPACITOR 300M 125V 1-3/4 X 3-3/8
5	P2532005	JUNCTION BOX
6	PCS006	CENTRIFUGAL SWITCH 1/2-1725
7	PCP001	CONTACT PLATE
8	P6202ZZ	BALL BEARING 6202ZZ
9	P6203ZZ	BALL BEARING 6203ZZ
10	P2532010	R CAPACITOR COVER
11	PC030F	R CAPACITOR 30M 250V 1-1/2 X 2-3/4
12	PK15	KEY 3/16 X 3/16 X 1-1/4

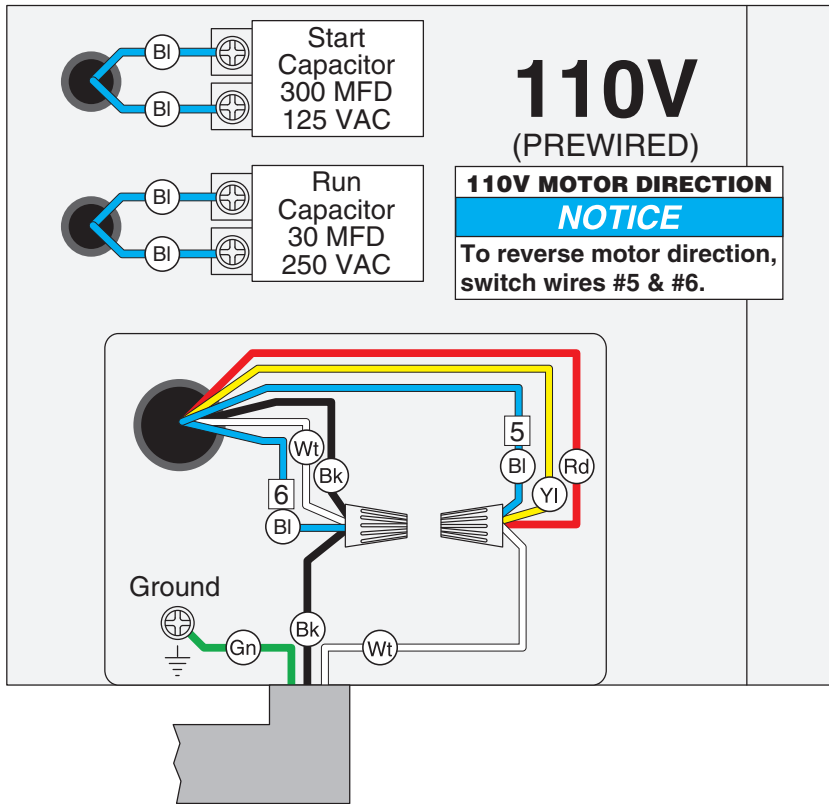
## Making Wire Connections

If you are unsure how to attach wires to terminals, DO NOT continue. Contact an electrician for assistance. Connecting wires improperly may cause them to come loose or contact other wires, which can cause electrocution, fire, or a short.

**⚠ WARNING**  
 Electrocution or fire could result if this motor is not grounded correctly or if your wire connections do not comply with local and state codes. Ensure compliance by checking with an electrician!

**⚠ WARNING**  
 Disconnect power when replacing motor. Failure to do this may result in serious personal injury.

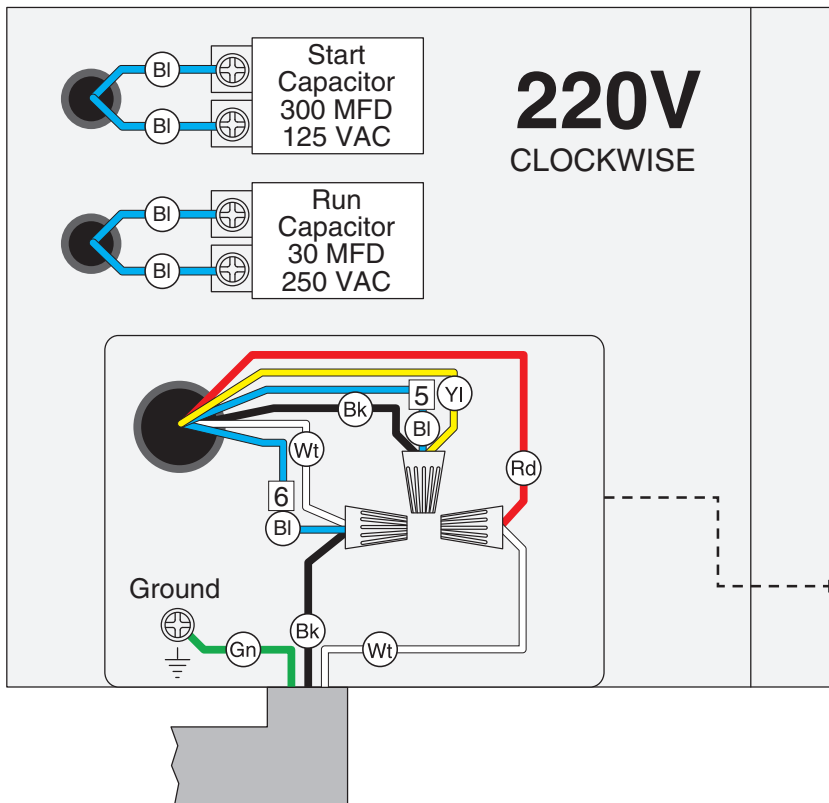
# G2532 Wiring Diagram



View this page in color at [www.grizzly.com](http://www.grizzly.com).

**COLOR KEY**

BLACK	— (Bk) —
WHITE	— (Wt) —
GREEN	— (Gn) —
RED	— (Rd) —
YELLOW	— (Yl) —
BLUE	— (Bl) —



**NOTICE**  
The motor wiring shown here is current at the time of printing, but it may not match your machine. Always use the wiring diagram inside the motor junction box.

