



# MODEL G2533

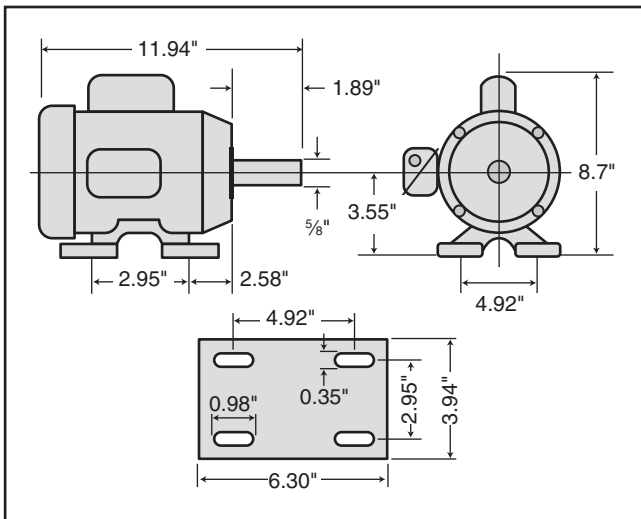
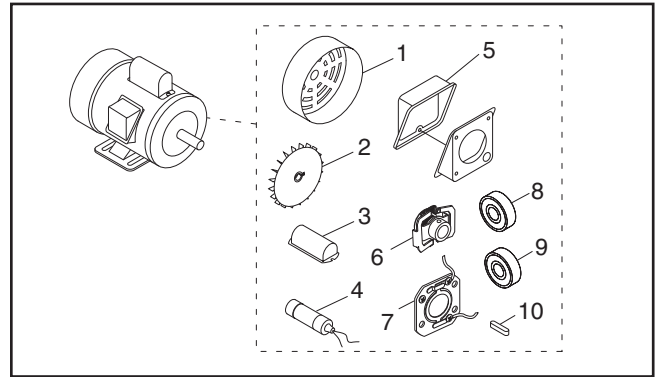
## 1 HP ELECTRIC MOTOR

### INSTRUCTION SHEET

#### Model G2533 Specifications

Power ..... 1 HP  
 Cycle.....60 Hz  
 Voltage ..... 110V/220V  
 Rewired ..... 110V  
 Amps ..... 12.6/6.3A  
 Speed ..... 3450 RPM  
 Phase ..... Single-Phase  
 Class..... E  
 Start Capacitor ..... 300MFD 125VAC  
 Dimensions..... 1 $\frac{3}{4}$ "D x 3 $\frac{3}{8}$ "L

#### Replaceable Parts

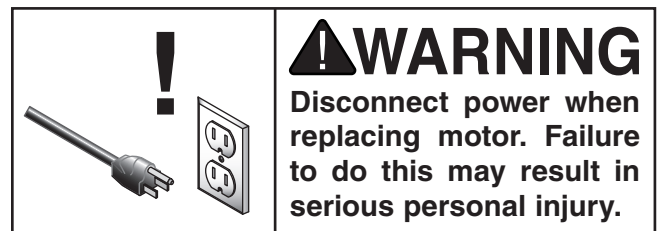
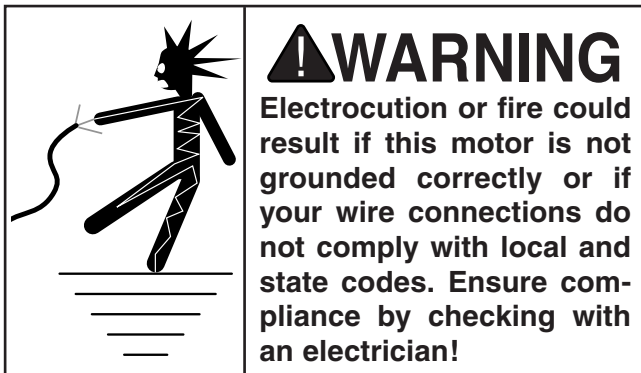


#### REF PART # DESCRIPTION

REF	PART #	DESCRIPTION
1	P2533001	MOTOR FAN COVER
2	P2533002	MOTOR FAN
3	P2533003	S CAPACITOR COVER
4	PC300B	S CAPACITOR 300M 125V 1-3/4 X 3-3/8
5	P2533005	JUNCTION BOX
6	PCS007	CENTRIFUGAL SWITCH 1/2-3450
7	PCP001	CONTACT PLATE
8	P6202ZZ	BALL BEARING 6202ZZ
9	P6203ZZ	BALL BEARING 6203ZZ
10	PK15	KEY 3/16 X 3/16 X 1-1/4

#### Making Wire Connections

If you are unsure how to attach wires to terminals, DO NOT continue. Contact an electrician for assistance. Connecting wires improperly may cause them to come loose or contact other wires, which can cause electrocution, fire, or a short.

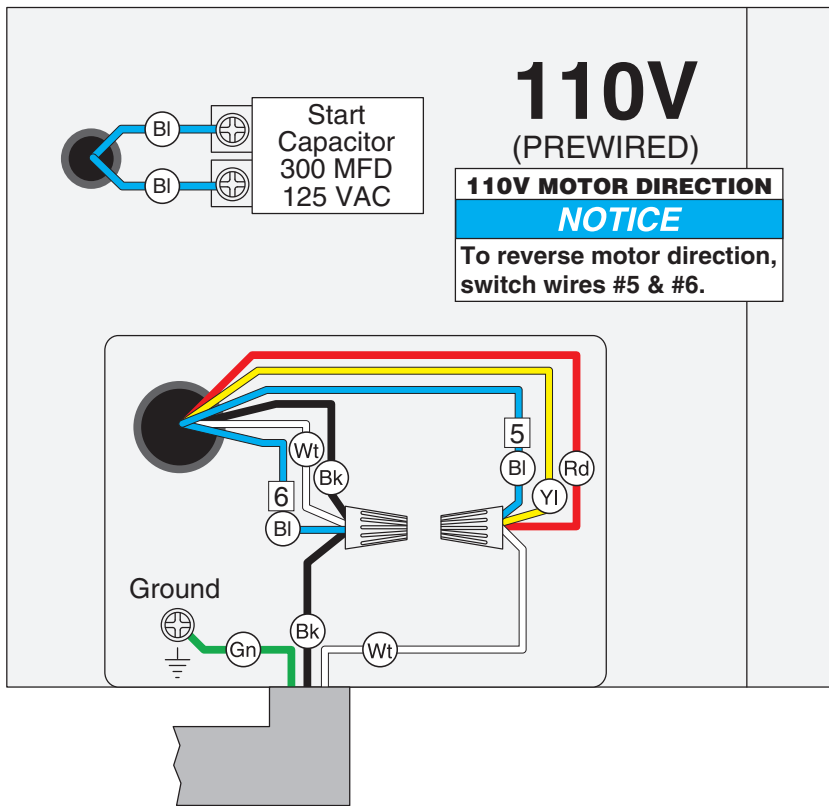


COPYRIGHT © JUNE, 2012 BY GRIZZLY INDUSTRIAL, INC.

**WARNING: NO PORTION OF THIS INSTRUCTION SHEET MAY BE REPRODUCED IN ANY SHAPE OR FORM WITHOUT THE WRITTEN APPROVAL OF GRIZZLY INDUSTRIAL, INC.**

#KN15075 PRINTED IN TAIWAN

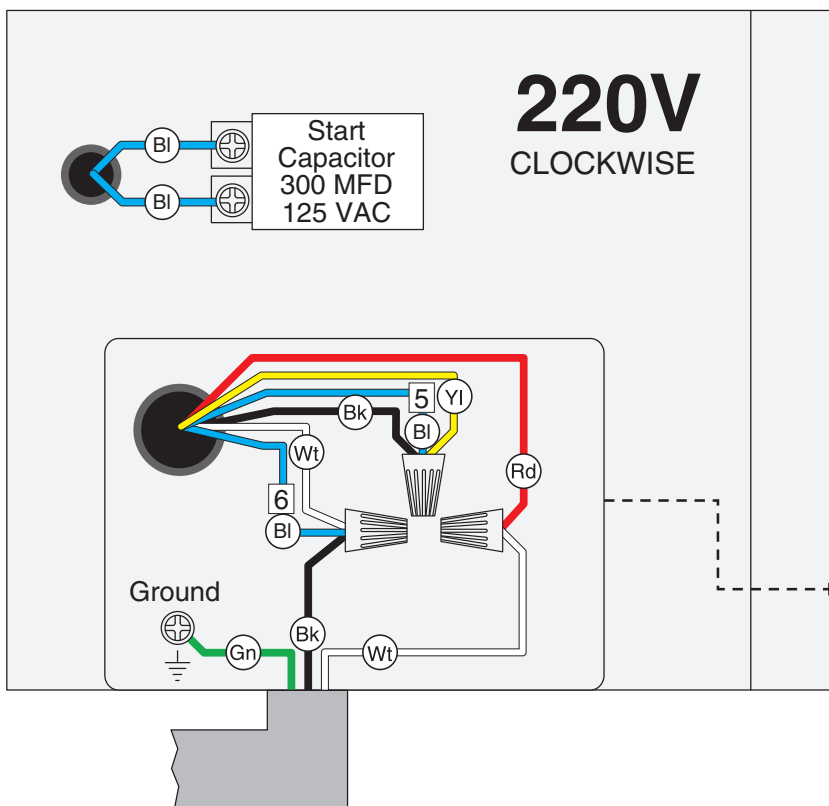
# G2533 Wiring Diagram



View this page in color at [www.grizzly.com](http://www.grizzly.com).

**COLOR KEY**

BLACK	Bk
WHITE	Wt
GREEN	Gn
RED	Rd
YELLOW	Yl
BLUE	Bl



**NOTICE**  
The motor wiring shown here is current at the time of printing, but it may not match your machine. Always use the wiring diagram inside the motor junction box.

