



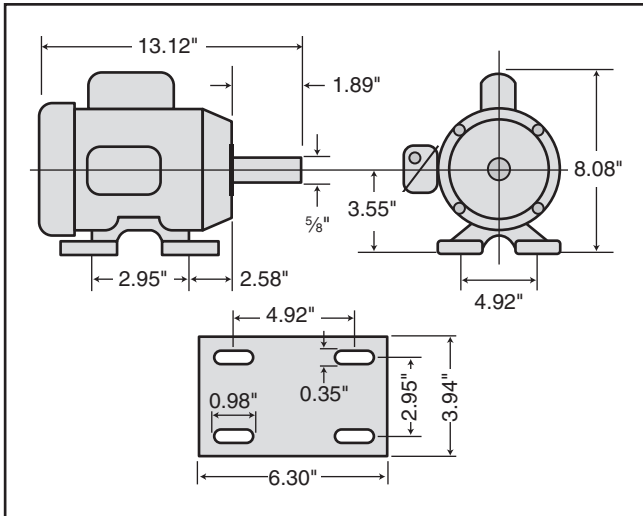
# MODEL G2534

## 1½ HP ELECTRIC MOTOR

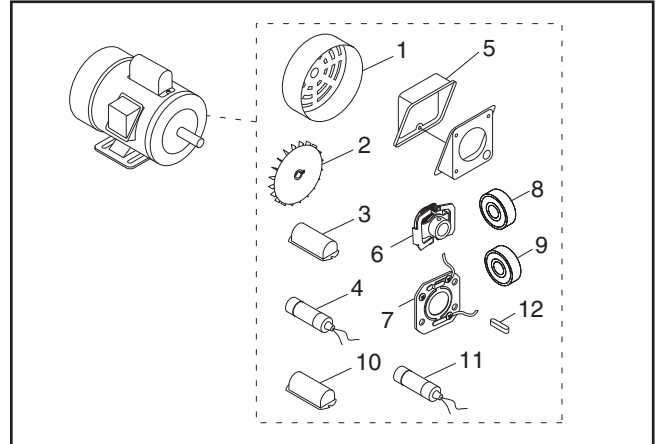
### INSTRUCTION SHEET

#### Model G2534 Specifications

Power ..... 1½ HP  
 Cycle.....60 Hz  
 Voltage ..... 110V/220V  
 Prewired ..... 110V  
 Amps ..... 17A/8.5A  
 Speed ..... 1725 RPM  
 Phase ..... Single-Phase  
 Class..... E  
 Start Capacitor ..... 400MFD 125VAC  
 Dimensions..... 1¾"D x 3¾"L  
 Run Capacitor ..... 50MFD 250VAC  
 Dimensions..... 1½"D x 2¾"L



#### Replaceable Parts

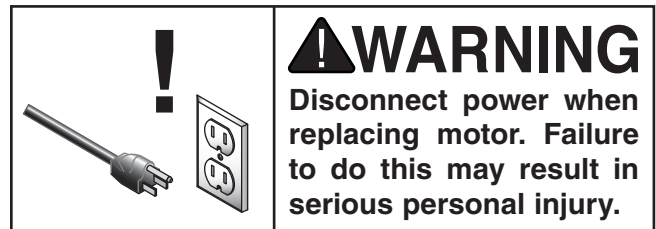
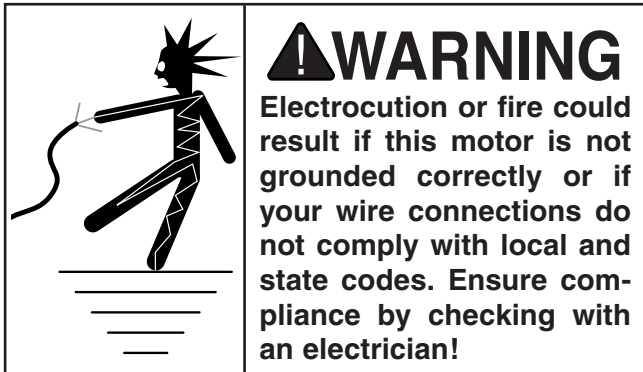


#### REF PART # DESCRIPTION

REF	PART #	DESCRIPTION
1	P2534001	MOTOR FAN COVER
2	P2534002	MOTOR FAN
3	P2534003	S CAPACITOR COVER
4	PC400S	S CAPACITOR 400M 125V 1-3/4 X 3-3/8
5	P2534005	JUNCTION BOX
6	PCS006	CENTRIFUGAL SWITCH 1/2-1725
7	PCP001	CONTACT PLATE
8	P6202ZZ	BALL BEARING 6202ZZ
9	P6203ZZ	BALL BEARING 6203ZZ
10	P2534010	R CAPACITOR COVER
11	PC050H	R CAPACITOR 50M 250V 1-1/2 X 2-3/4
12	PK15	KEY 3/16 X 3/16 X 1-1/4

#### Making Wire Connections

If you are unsure how to attach wires to terminals, DO NOT continue. Contact an electrician for assistance. Connecting wires improperly may cause them to come loose or contact other wires, which can cause electrocution, fire, or a short.

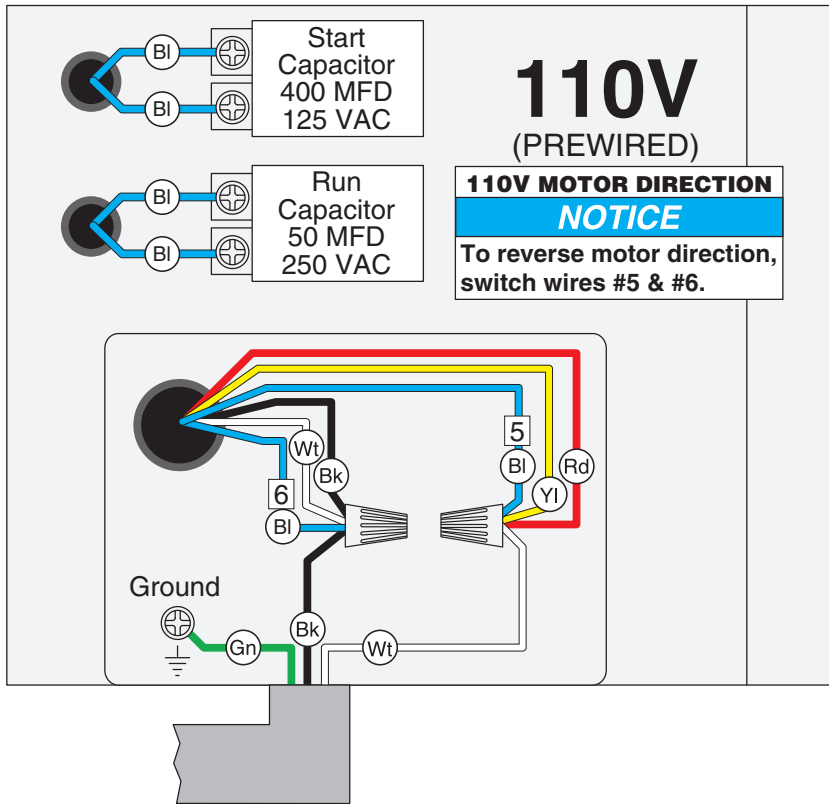


COPYRIGHT © JUNE, 2012 BY GRIZZLY INDUSTRIAL, INC.

**WARNING: NO PORTION OF THIS INSTRUCTION SHEET MAY BE REPRODUCED IN ANY SHAPE OR FORM WITHOUT THE WRITTEN APPROVAL OF GRIZZLY INDUSTRIAL, INC.**

#KN15076 PRINTED IN TAIWAN

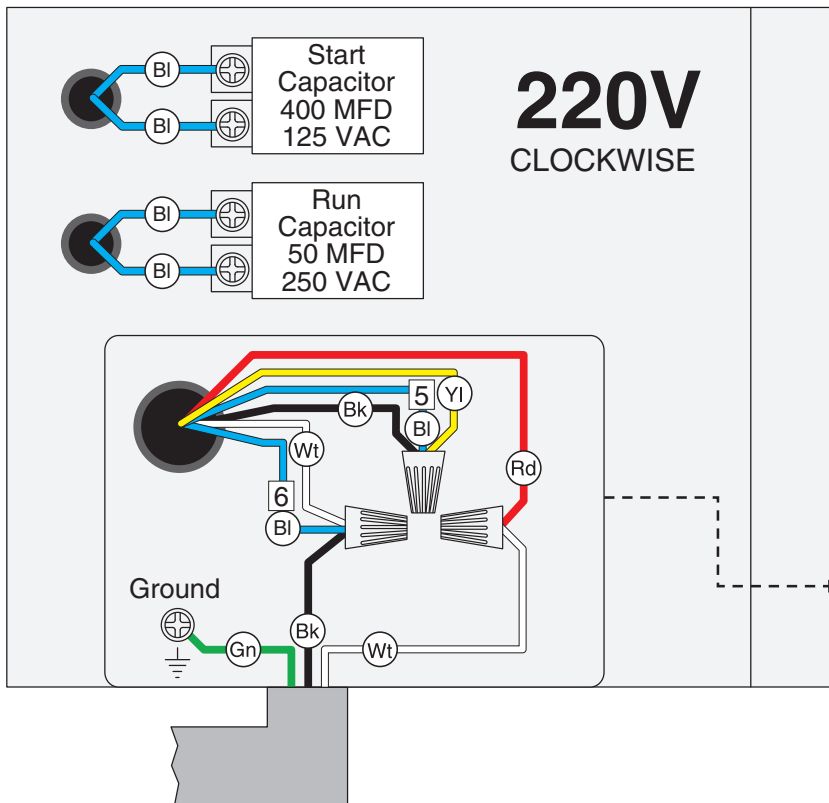
# G2534 Wiring Diagram



View this page in color at [www.grizzly.com](http://www.grizzly.com).

**COLOR KEY**

BLACK	— (Bk) —
WHITE	— (Wt) —
GREEN	— (Gn) —
RED	— (Rd) —
YELLOW	— (Yl) —
BLUE	— (Bl) —



**NOTICE**  
The motor wiring shown here is current at the time of printing, but it may not match your machine. Always use the wiring diagram inside the motor junction box.

