



MODEL G2535

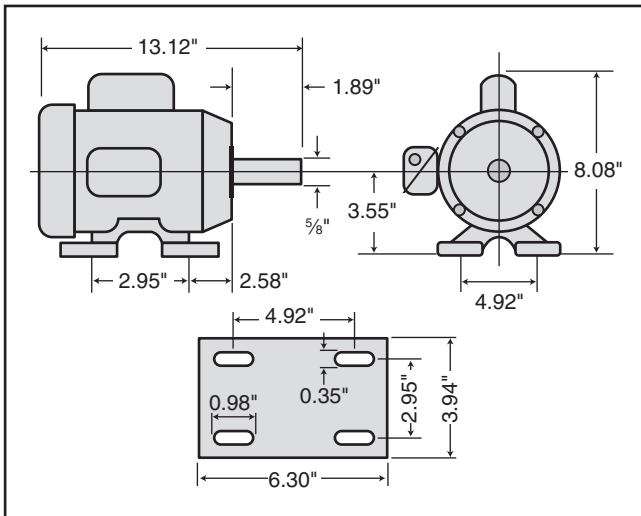
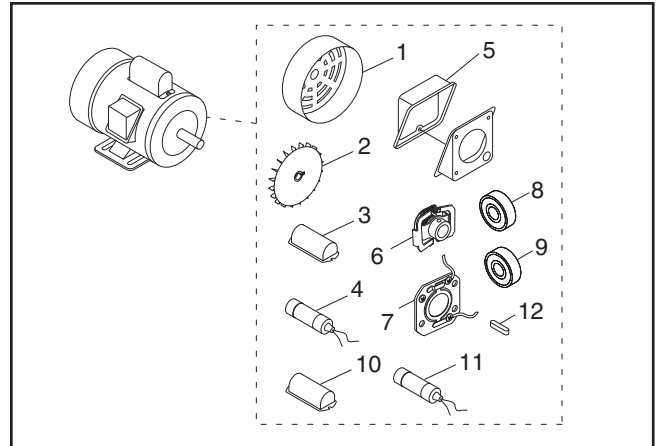
1½ HP ELECTRIC MOTOR

INSTRUCTION SHEET

Model G2535 Specifications

Power 1½ HP
 Cycle.....60 Hz
 Voltage 110V/220V
 Prewired 110V
 Amps 15.6A/7.8A
 Speed 3450 RPM
 Phase Single-Phase
 Class..... E
 Start Capacitor 400MFD 125VAC
 Dimensions.....1¾"D x 3⅜"L
 Run Capacitor 25MFD 250VAC
 Dimensions.....1⅜"D x 2⅜"L

Replaceable Parts

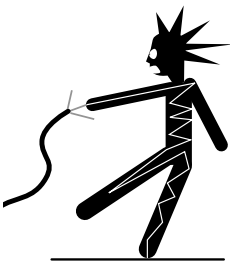


REF PART # DESCRIPTION

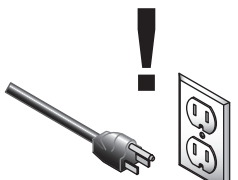
REF	PART #	DESCRIPTION
1	P2535001	MOTOR FAN COVER
2	P2535002	MOTOR FAN
3	P2535003	S CAPACITOR COVER
4	PC400S	S CAPACITOR 400M 125V 1-3/4 X 3-3/8
5	P2535005	JUNCTION BOX
6	PCS007	CENTRIFUGAL SWITCH 1/2-3450
7	PCP001	CONTACT PLATE
8	P6202ZZ	BALL BEARING 6202ZZ
9	P6203ZZ	BALL BEARING 6203ZZ
10	P2535010	R CAPACITOR COVER
11	PC025B	R CAPACITOR 25M 250V 1-3/8 X 2-3/8
12	PK15	KEY 3/16 X 3/16 X 1-1/4

Making Wire Connections

If you are unsure how to attach wires to terminals, DO NOT continue. Contact an electrician for assistance. Connecting wires improperly may cause them to come loose or contact other wires, which can cause electrocution, fire, or a short.

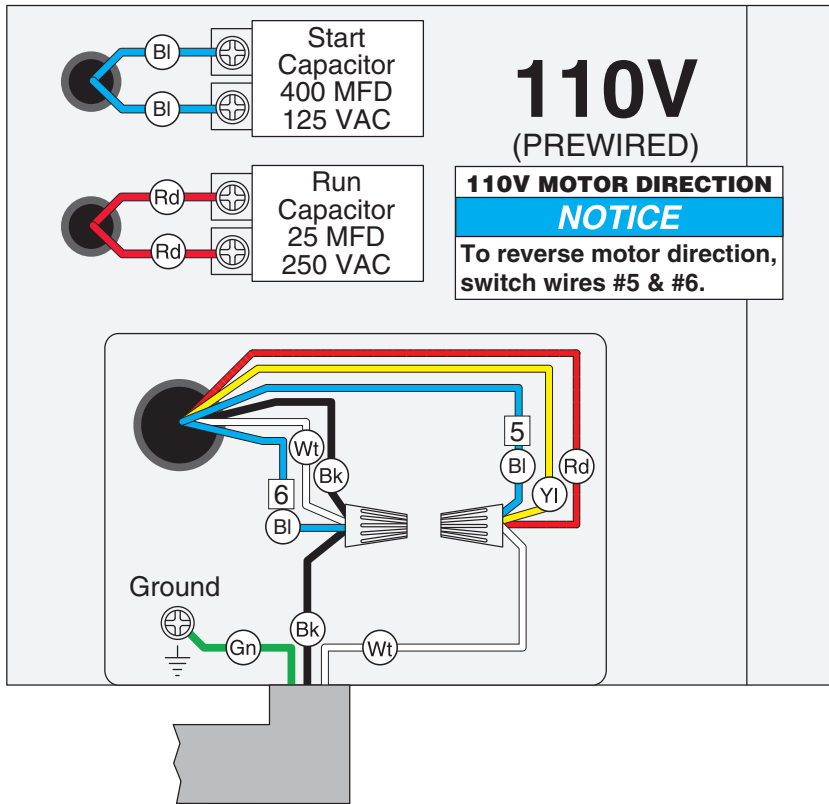


⚠ WARNING
 Electrocution or fire could result if this motor is not grounded correctly or if your wire connections do not comply with local and state codes. Ensure compliance by checking with an electrician!



⚠ WARNING
 Disconnect power when replacing motor. Failure to do this may result in serious personal injury.

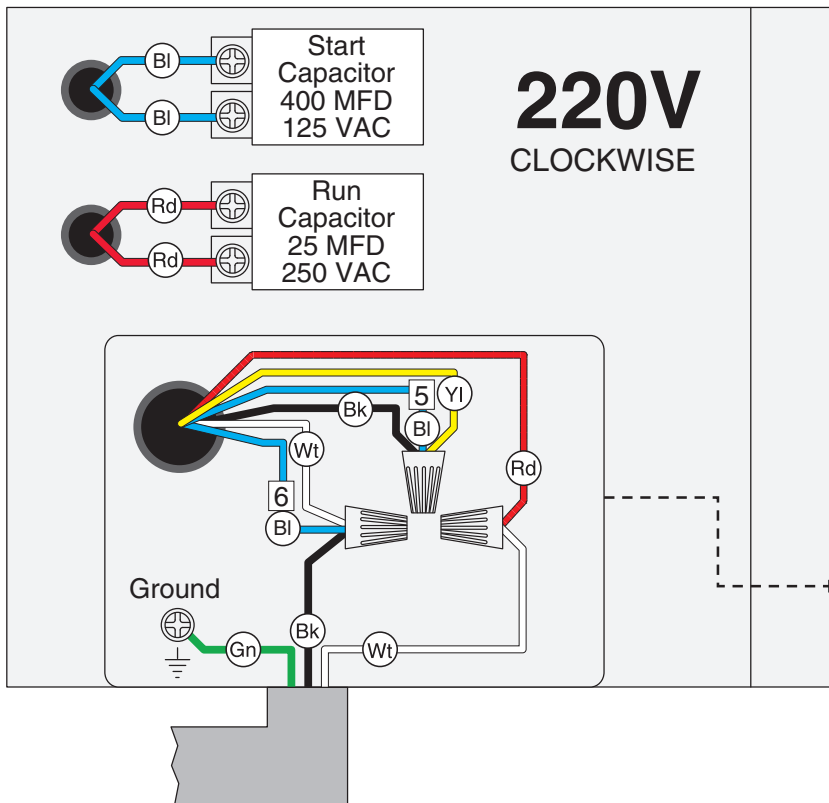
G2535 Wiring Diagram



View this page in color at www.grizzly.com.

COLOR KEY

BLACK	— (Bk) —
WHITE	— (Wt) —
GREEN	— (Gn) —
RED	— (Rd) —
YELLOW	— (Yl) —
BLUE	— (Bl) —



NOTICE
The motor wiring shown here is current at the time of printing, but it may not match your machine. Always use the wiring diagram inside the motor junction box.

