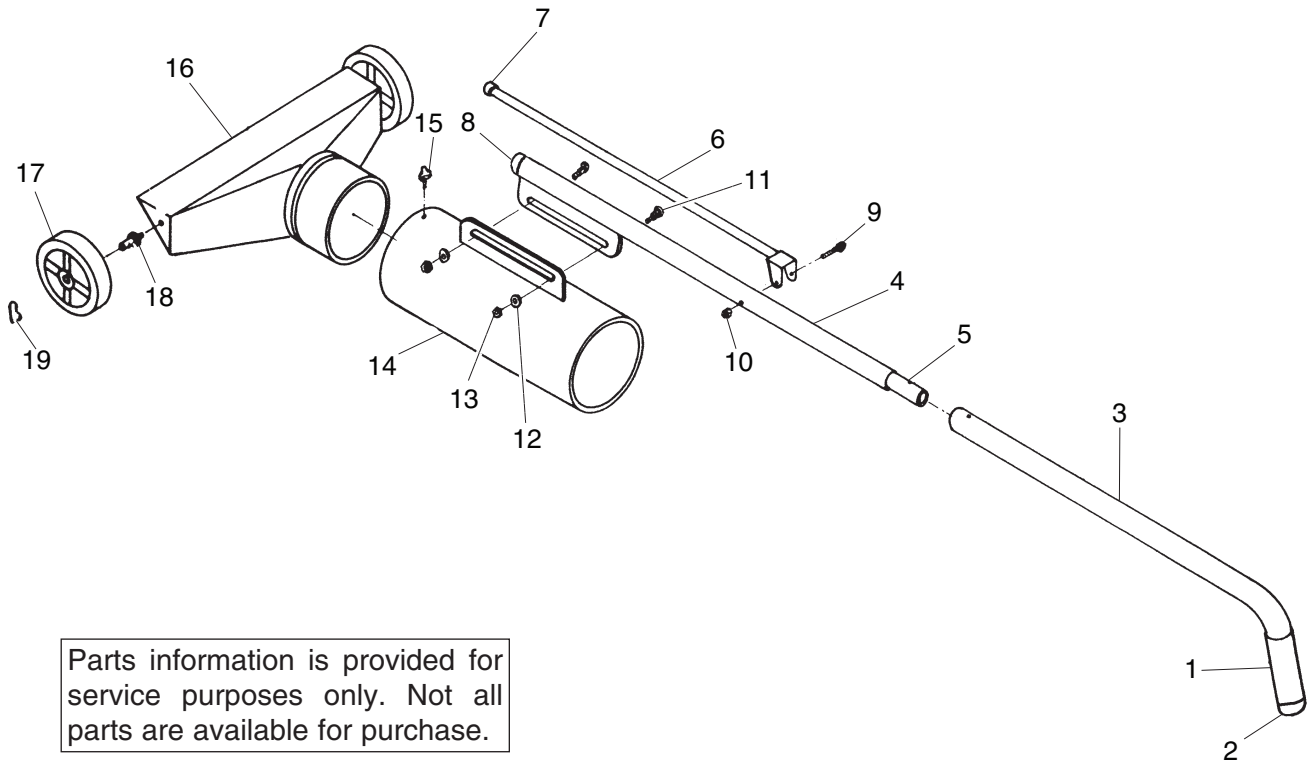




MODEL G2752 ROLLING FLOOR SWEEP PARTS INFORMATION



REF	PART #	DESCRIPTION
1	P2752001	HANDLE GRIP
2	P2752002	HANDLE END CAP
3	P2752003	UPPER HANDLE
4	P2752004	LOWER HANDLE
5	P2752005	CONNECTOR BUTTON
6	P2752006	SUPPORT ROD
7	P2752007	SUPPORT ROD END CAP 1/2"
8	P2752002	HANDLE END CAP
9	PS48	PHLP HD SCR 8-32 X 1-1/4
10	PLN14	LOCK NUT 8-32

REF	PART #	DESCRIPTION
11	PCB03	CARRIAGE BOLT 3/8-16 X 3/4
12	PW02	FLAT WASHER 3/8
13	PN08	HEX NUT 3/8-16
14	P2752014	DUST PORT
15	P2752015	LOCK KNOB 1/4-20 X 3/8
16	P2752016	COLLECTION NOZZLE
17	P2752017	WHEEL
18	P2752018	WHEEL AXLE
19	P2752019	COTTER PIN 1/2"

COPYRIGHT © AUGUST, 2009 BY GRIZZLY INDUSTRIAL, INC.
**WARNING: NO PORTION OF THIS DOCUMENT MAY BE REPRODUCED IN ANY SHAPE
OR FORM WITHOUT THE WRITTEN APPROVAL OF GRIZZLY INDUSTRIAL, INC.**
#TS12091 PRINTED IN TAIWAN