



# MODEL G2901

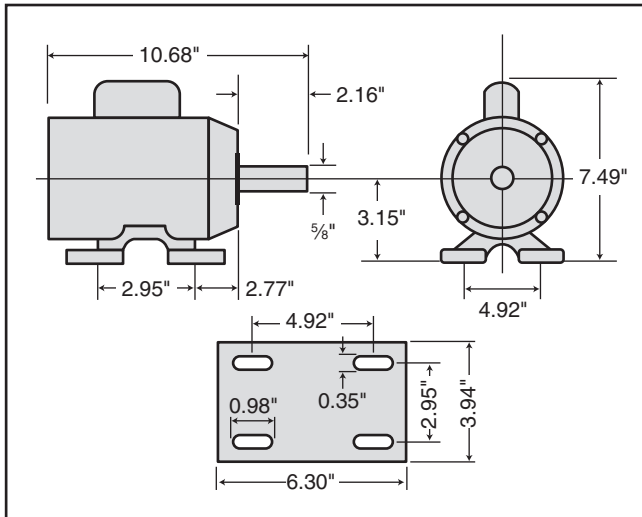
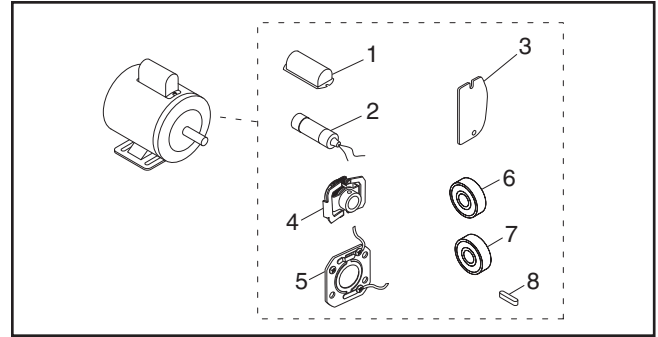
## 1/2 HP ELECTRIC MOTOR

### INSTRUCTION SHEET

#### Model G2902 Specifications

Power ..... 1/2 HP  
 Cycle..... 60Hz  
 Voltage ..... 110V/220V  
 Prewired ..... 110V  
 Amps ..... 8A/4A  
 RPM..... 1725  
 Phase ..... Single  
 Class..... E  
 Start Capacitor ..... 200MFD 125VAC  
 Dimensions..... 1 3/8"D x 2 3/8"L

#### Replaceable Parts

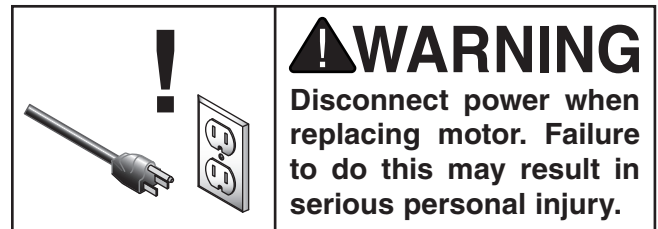
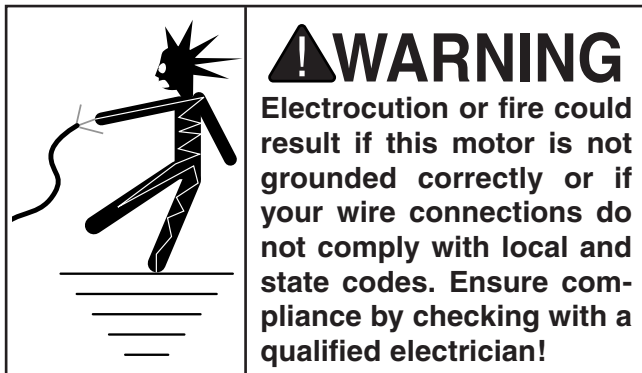


#### REF PART # DESCRIPTION

REF	PART #	DESCRIPTION
1	P2901001	S CAPACITOR COVER
2	PC200I	S CAPACITOR 200M 125V 1-3/8 X 2-3/8
3	P2901003	WIRING COVER PLATE
4	PCS006	CENTRIFUGAL SWITCH 1/2-1725
5	PCP001	CONTACT PLATE
6	P6202ZZ	BALL BEARING 6202ZZ
7	P6203ZZ	BALL BEARING 6203ZZ
8	PK15	KEY 3/16 X 3/16 X 1-1/4

#### Making Wire Connections

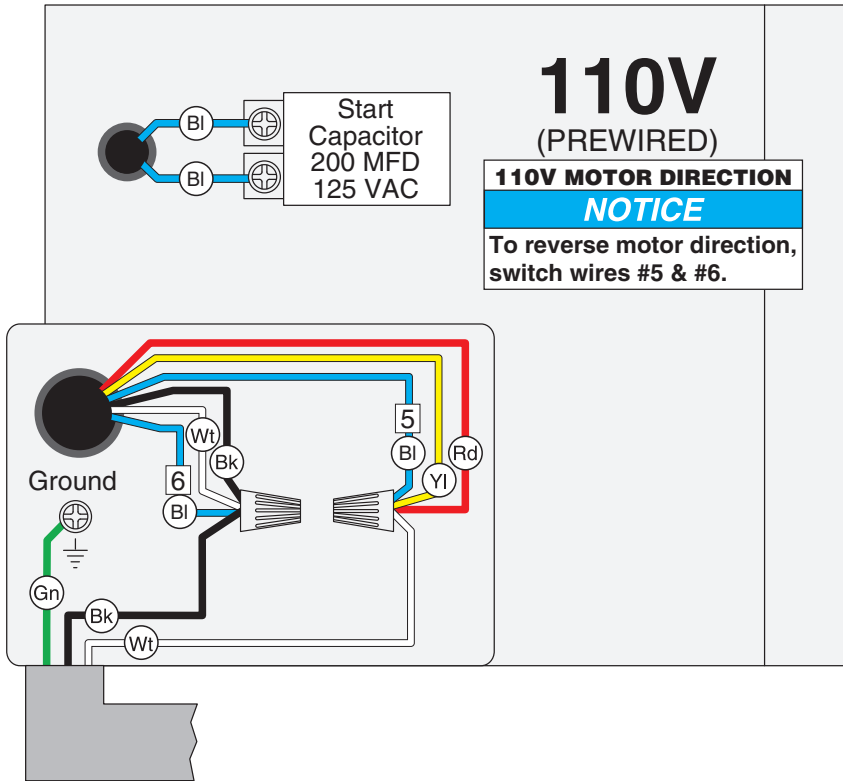
If you are unsure how to attach wires to terminals, DO NOT continue. Contact an electrician for assistance. Connecting wires improperly may cause them to come loose or contact other wires, which can cause electrocution, fire, or a short.



COPYRIGHT © DECEMBER, 2007 BY GRIZZLY INDUSTRIAL, INC., REVISED JULY, 2012 (TS)  
**WARNING: NO PORTION OF THIS INSTRUCTION SHEET MAY BE REPRODUCED IN ANY SHAPE OR FORM WITHOUT THE WRITTEN APPROVAL OF GRIZZLY INDUSTRIAL, INC.**

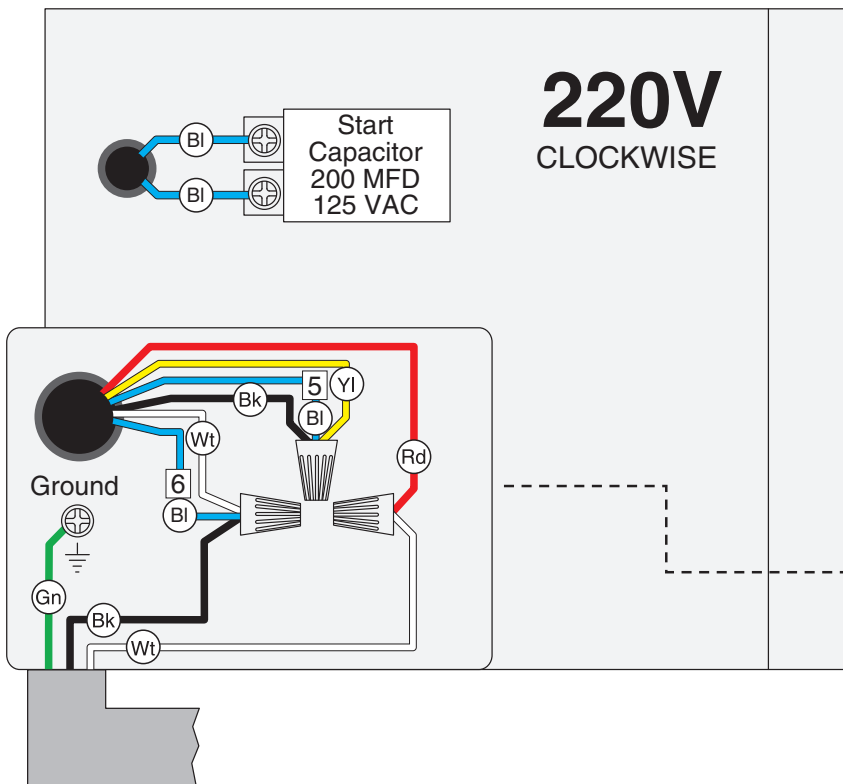
#JB10229 PRINTED IN TAIWAN

# G2901 Wiring Diagram



**COLOR KEY**

BLACK	— Bk —
WHITE	— Wt —
GREEN	— Gn —
RED	— Rd —
YELLOW	— Yl —
BLUE	— Bl —



**NOTICE**  
The motor wiring shown here is current at the time of printing, but it may not match your machine. Always use the wiring diagram inside the motor junction box.

