



# MODEL G2902

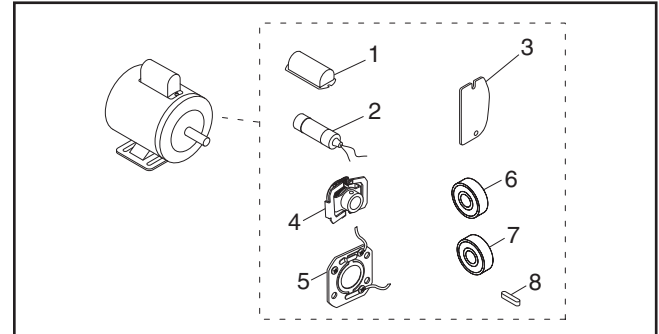
## 1/2 HP ELECTRIC MOTOR

### INSTRUCTION SHEET

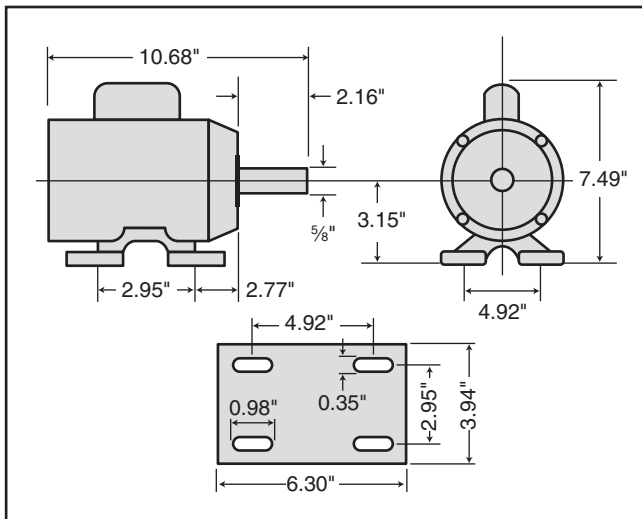
### Model G2902 Specifications

Power ..... 1/2 HP  
 Cycle..... 60Hz  
 Voltage ..... 110V/220V  
 Prewired ..... 110V  
 Amps ..... 8.6A/4.3A  
 RPM..... 3450  
 Phase ..... Single  
 Class..... E  
 Start Capacitor ..... 200MFD 125VAC  
 Dimensions..... 1 3/8"D x 2 3/8"L

### Replaceable Parts




| REF | PART #   | DESCRIPTION                         |
|-----|----------|-------------------------------------|
| 1   | P2901001 | S CAPACITOR COVER                   |
| 2   | PC200I   | S CAPACITOR 200M 125V 1-3/8 X 2-3/8 |
| 3   | P2902003 | WIRING COVER PLATE                  |
| 4   | PCS007   | CENTRIFUGAL SWITCH 1/2-3450         |
| 5   | PCP001   | CONTACT PLATE                       |
| 6   | P6202ZZ  | BALL BEARING 6202ZZ                 |
| 7   | P6203ZZ  | BALL BEARING 6203ZZ                 |
| 8   | PK15     | KEY 3/16 X 3/16 X 1-1/4             |

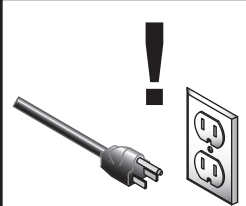


### Making Wire Connections

If you are unsure how to attach wires to terminals, DO NOT continue. Contact an electrician for assistance. Connecting wires improperly may cause them to come loose or contact other wires, which can cause electrocution, fire, or a short.



**! WARNING**  
 Electrocution or fire could result if this motor is not grounded correctly or if your wire connections do not comply with local and state codes. Ensure compliance by checking with a qualified electrician!



**! WARNING**  
 Disconnect power when replacing motor. Failure to do this may result in serious personal injury.

# G2902 Wiring Diagram

