



# MODEL G2903

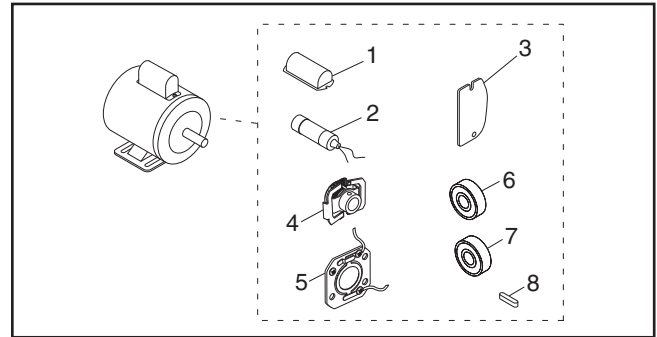
## 3/4 HP ELECTRIC MOTOR

### INSTRUCTION SHEET

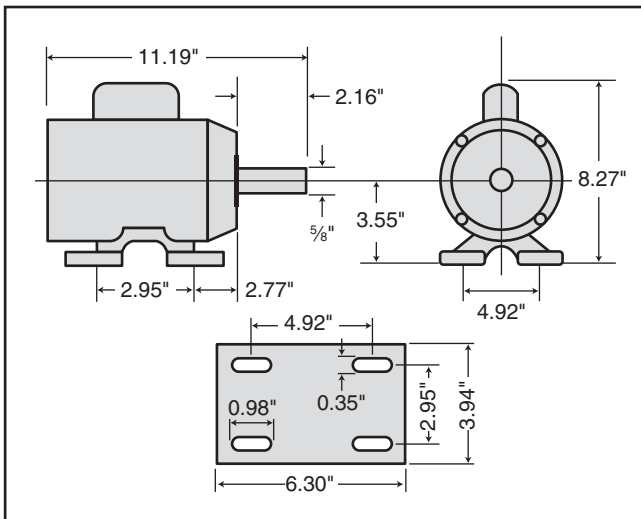
#### Model G2903 Specifications

Power ..... 3/4 HP  
 Cycle..... 60Hz  
 Voltage ..... 110V/220V  
 Prewired ..... 110V  
 Amps ..... 10.3A/5.2A  
 RPM..... 1725  
 Phase ..... Single  
 Class..... E  
 Start Capacitor ..... 200MFD 125VAC  
 Dimensions..... 1 3/8"D x 2 3/8"L

#### Replaceable Parts




REF	PART #	DESCRIPTION
1	P2903001	S CAPACITOR COVER
2	PC200I	S CAPACITOR 200M 125V 1-3/8 X 2-3/8
3	P2903003	WIRING COVER PLATE
4	PCS006	CENTRIFUGAL SWITCH 1/2-1725
5	PCP001	CONTACT PLATE
6	P6202ZZ	BALL BEARING 6202ZZ
7	P6203ZZ	BALL BEARING 6203ZZ
8	PK15	KEY 3/16 X 3/16 X 1-1/4

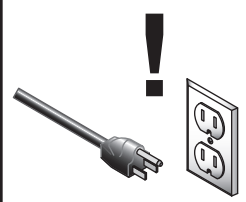


#### Making Wire Connections

If you are unsure how to attach wires to terminals, DO NOT continue. Contact an electrician for assistance. Connecting wires improperly may cause them to come loose or contact other wires, which can cause electrocution, fire, or a short.



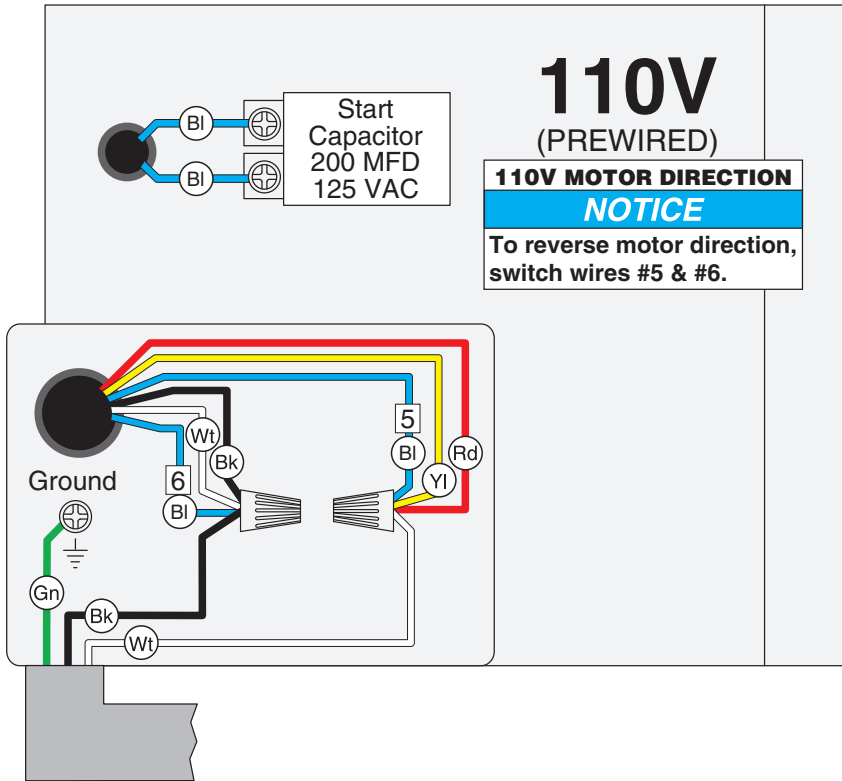
**⚠ WARNING**  
 Electrocution or fire could result if this motor is not grounded correctly or if your wire connections do not comply with local and state codes. Ensure compliance by checking with a qualified electrician!









**⚠ WARNING**  
 Disconnect power when replacing motor. Failure to do this may result in serious personal injury.

# G2903 Wiring Diagram

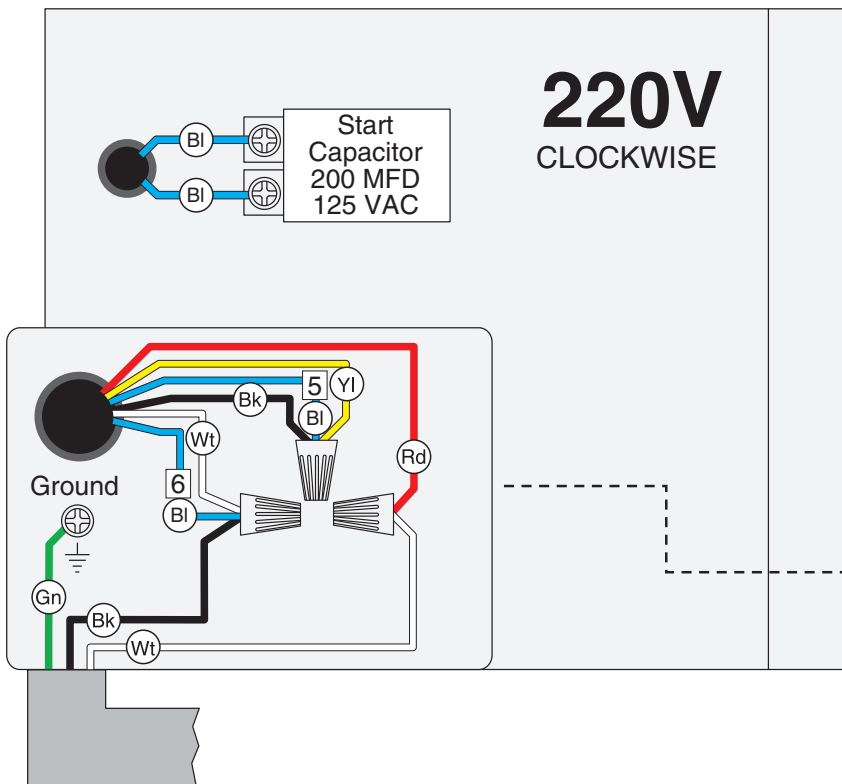
 View this page in color at [www.grizzly.com](http://www.grizzly.com).



**COLOR KEY**

BLACK		Bk
WHITE		Wt
GREEN		Gn
RED		Rd
YELLOW		Yl
BLUE		Bl

**⚠ WARNING!**  
SHOCK HAZARD!  
Disconnect power  
before working on  
wiring.

**NOTICE**

The motor wiring shown here is current at the time of printing, but it may not match your machine. Always use the wiring diagram inside the motor junction box.

