



MODEL G2907

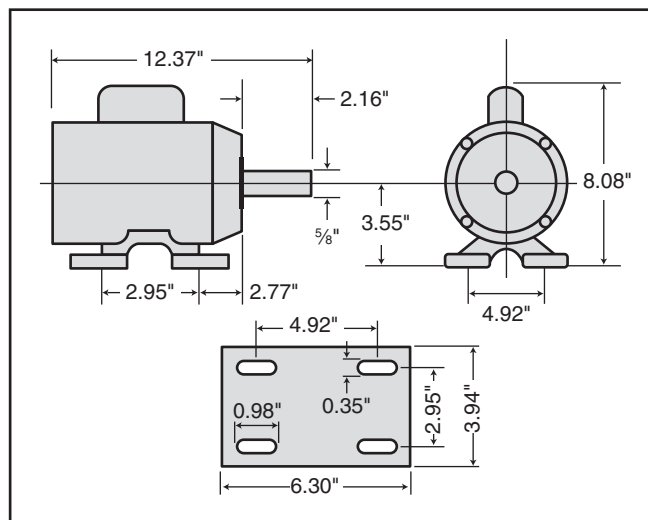
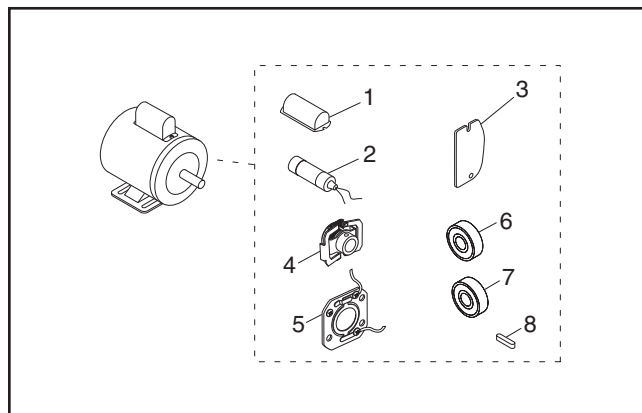
1½ HP ELECTRIC MOTOR

INSTRUCTION SHEET

Model G2907 Specifications

Power 1½ HP
 Cycle..... 60Hz
 Voltage 110/220V
 Prewired 110V
 Amps 17/8.5A
 RPM..... 1725
 Phase Single
 Class..... E
 Start Capacitor 400MFD 125VAC
 Dimensions..... 1¾"D x 3⅜"L
 Run Capacitor 50MFD 250VAC
 Dimensions..... 1½"D x 2⅜"L

Replaceable Parts




REF PART # DESCRIPTION

REF	PART #	DESCRIPTION
1	P2907001	S CAPACITOR COVER
2	PC400S	S CAPACITOR 400M 125V 1-3/4 X 3-3/8
3	P2907003	WIRING COVER PLATE
4	PCS006	CENTRIFUGAL SWITCH 1/2-1725
5	PCP001	CONTACT PLATE
6	P6202ZZ	BALL BEARING 6202ZZ
7	P6203ZZ	BALL BEARING 6203ZZ
8	PK15	KEY 3/16 X 3/16 X 1-1/4
9	P2907009	R CAPACITOR COVER
10	PC050D	R CAPACITOR 50M 250V 1-1/2 X 2-3/8

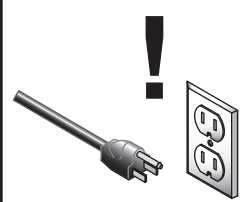
Making Wire Connections

If you are unsure how to attach wires to terminals, DO NOT continue. Contact an electrician for assistance. Connecting wires improperly may cause them to come loose or contact other wires, which can cause electrocution, fire, or a short.



⚠ WARNING

Electrocution or fire could result if this motor is not grounded correctly or if your wire connections do not comply with local and state codes. Ensure compliance by checking with a qualified electrician!

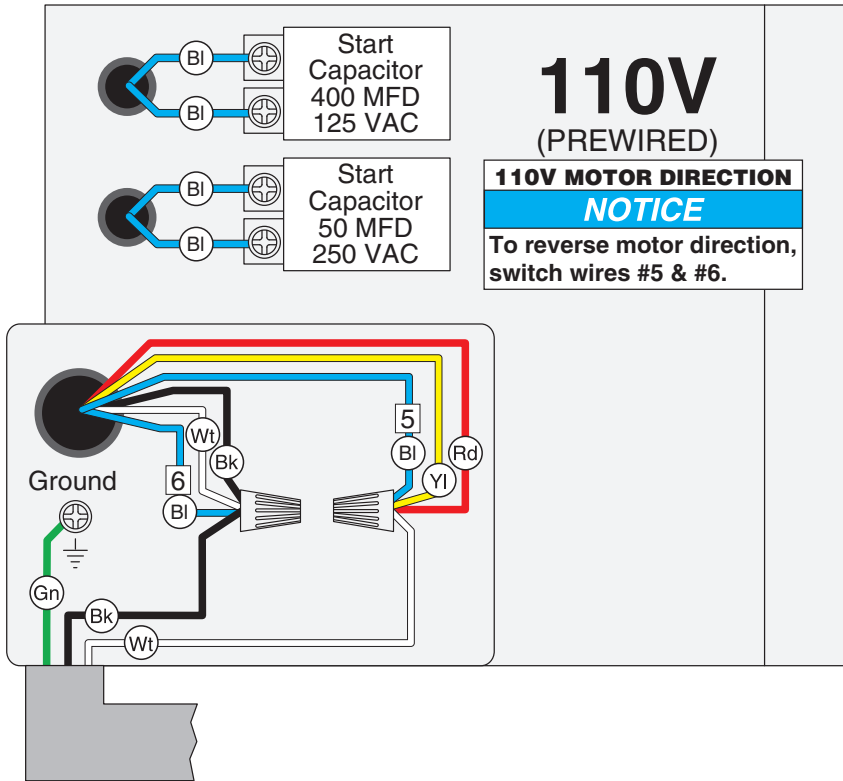


⚠ WARNING







Disconnect power when replacing motor. Failure to do this may result in serious personal injury.

G2907 Wiring Diagram

 View this page in color at www.grizzly.com.

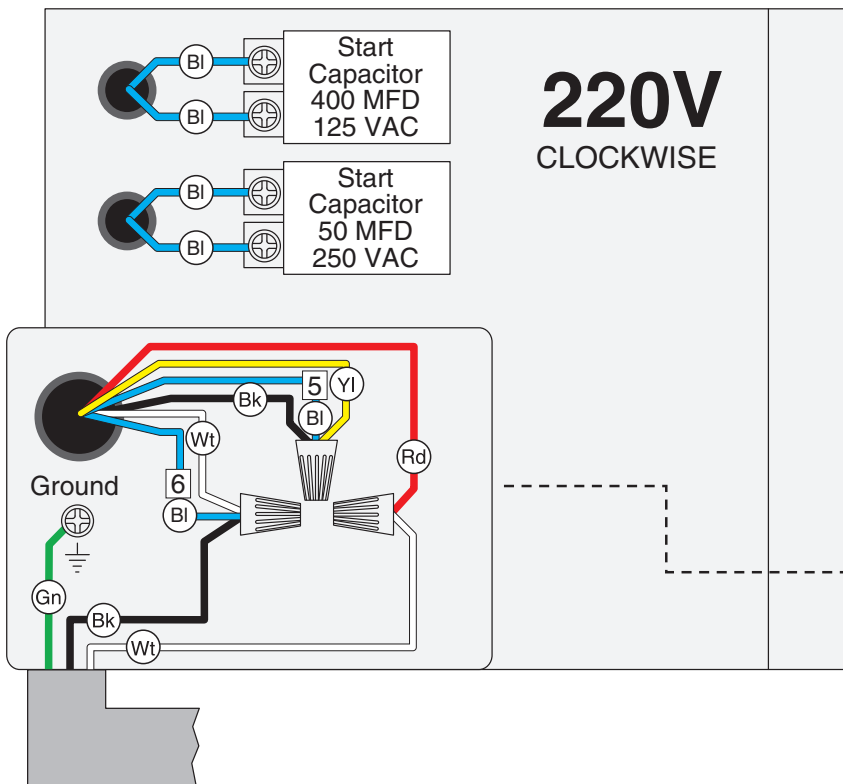


COLOR KEY

BLACK	 Bk
WHITE	 Wt
GREEN	 Gn
RED	 Rd
YELLOW	 Yl
BLUE	 Bl

WARNING!
SHOCK HAZARD!
Disconnect power before working on wiring.





NOTICE
The motor wiring shown here is current at the time of printing, but it may not match your machine. Always use the wiring diagram inside the motor junction box.

