

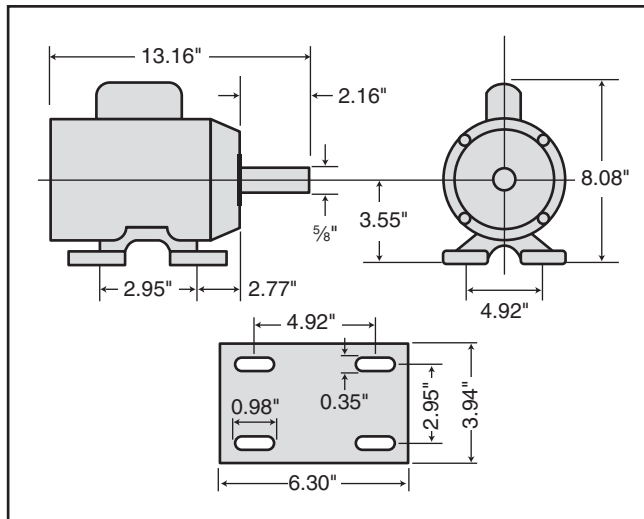
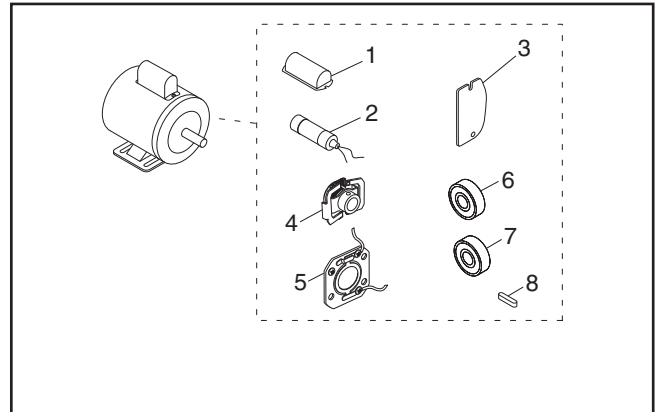


# MODEL G2909 2 HP ELECTRIC MOTOR INSTRUCTION SHEET

## Model G2909 Specifications

Power ..... 2 HP  
 Cycle..... 60Hz  
 Voltage ..... 110/220V  
 Prewired ..... 110V  
 Amps ..... 18.6A/9.3A  
 RPM..... 3450  
 Phase ..... Single  
 Class..... E  
 Start Capacitor ..... 400MFD 250VAC  
 Dimensions..... 1 $\frac{3}{4}$ "D x 3 $\frac{3}{8}$ "L  
 Run Capacitor ..... 40MFD 250VAC  
 Dimensions..... 1 $\frac{3}{8}$ "D x 2 $\frac{3}{8}$ "L

## Replaceable Parts

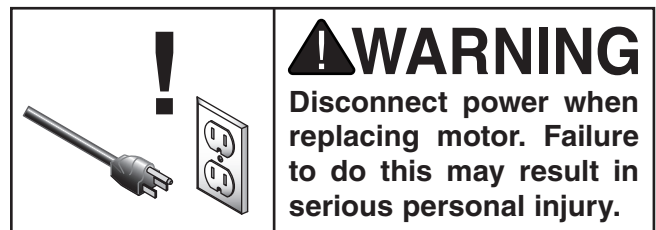
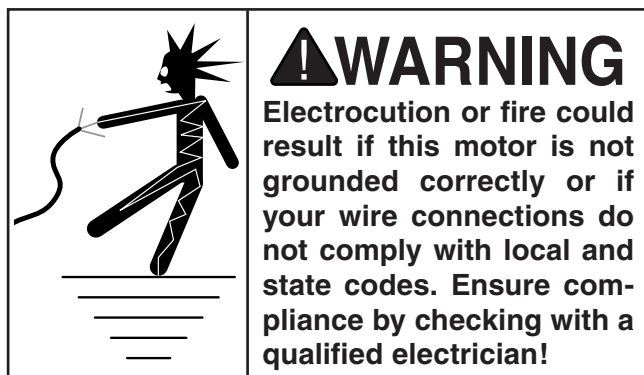


### REF PART # DESCRIPTION

REF	PART #	DESCRIPTION
1	P2909001	S CAPACITOR COVER
2	PC400T	S CAPACITOR 400M 250V 1-3/4 X 3-3/8
3	P2909003	WIRING COVER PLATE
4	PCS007	CENTRIFUGAL SWITCH 1/2-3450
5	PCP001	CONTACT PLATE
6	P6202ZZ	BALL BEARING 6202ZZ
7	P6203ZZ	BALL BEARING 6203ZZ
8	PK15	KEY 3/16 X 3/16 X 1-1/4
9	P2909009	R CAPACITOR COVER
10	PC040F	R CAPACITOR 40M 250V 1-3/8 X 2-3/8

## Making Wire Connections

If you are unsure how to attach wires to terminals, DO NOT continue. Contact an electrician for assistance. Connecting wires improperly may cause them to come loose or contact other wires, which can cause electrocution, fire, or a short.

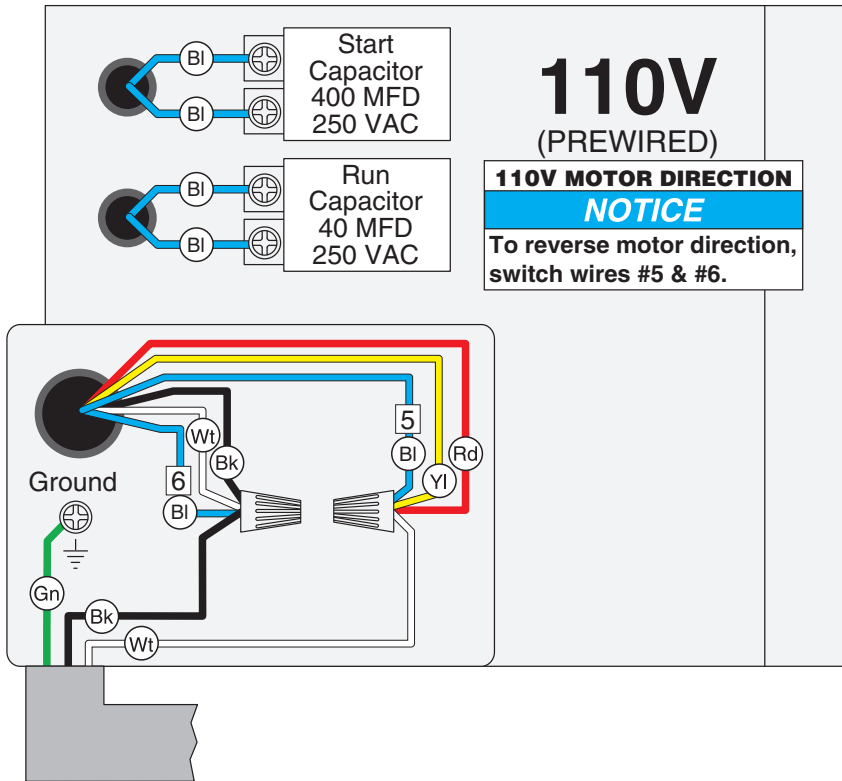


COPYRIGHT © DECEMBER, 2007 BY GRIZZLY INDUSTRIAL, INC. REVISED JULY, 2012 (TS)  
 WARNING: NO PORTION OF THIS INSTRUCTION SHEET MAY BE REPRODUCED IN ANY SHAPE OR FORM WITHOUT THE WRITTEN APPROVAL OF GRIZZLY INDUSTRIAL, INC.




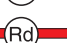


#JB10221 PRINTED IN TAIWAN

# G2909 Wiring Diagram

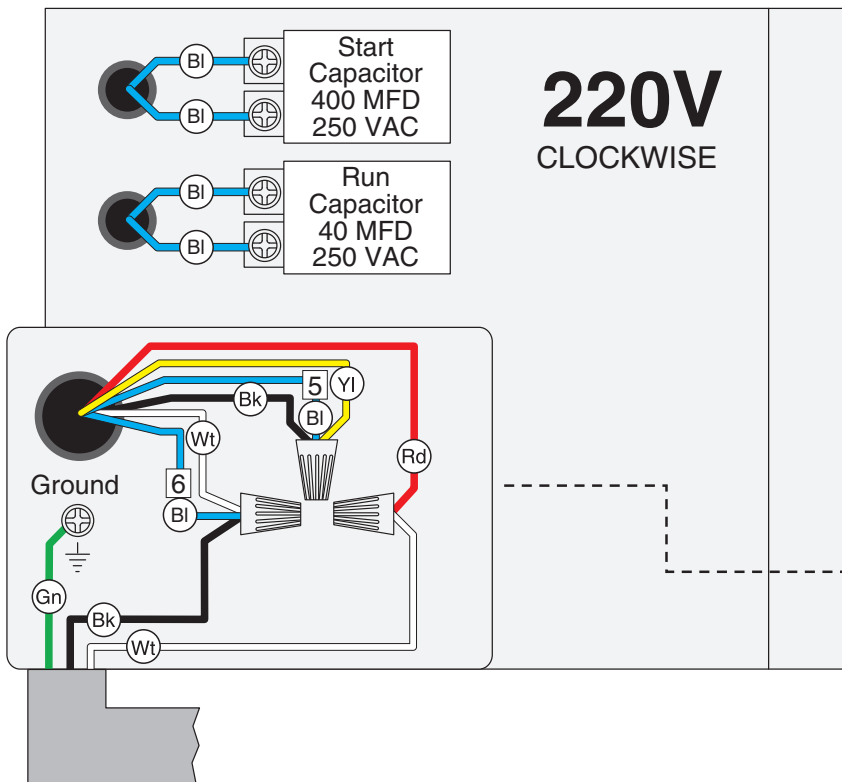
 View this page in color at [www.grizzly.com](http://www.grizzly.com).



**COLOR KEY**

BLACK	
WHITE	
GREEN	
RED	
YELLOW	
BLUE	

**WARNING!**  
SHOCK HAZARD!  
Disconnect power before working on wiring.

**NOTICE**  
The motor wiring shown here is current at the time of printing, but it may not match your machine. Always use the wiring diagram inside the motor junction box.

