

# *Panther*™

*panthercarts.com*

## **3 SHELF CART MODEL G7106 INSTRUCTION SHEET**



COPYRIGHT © JUNE, 2004 BY GRIZZLY INDUSTRIAL, INC.  
**WARNING: NO PORTION OF THIS MANUAL MAY BE REPRODUCED IN ANY SHAPE  
OR FORM WITHOUT THE WRITTEN APPROVAL OF GRIZZLY INDUSTRIAL, INC.**  
#EW6381 PRINTED IN CHINA

# PARTS INVENTORY

The Model G7106 was carefully packed when it left our warehouse. If you discover this cart is damaged after you have signed for delivery, *please immediately call Customer Service at (570) 546-9663 for advice.*

Save the containers and all packing materials for possible inspection by the carrier or its agent. *Otherwise, filing a freight claim can be difficult.*

When you are completely satisfied with the condition of your shipment, you should inventory the contents.

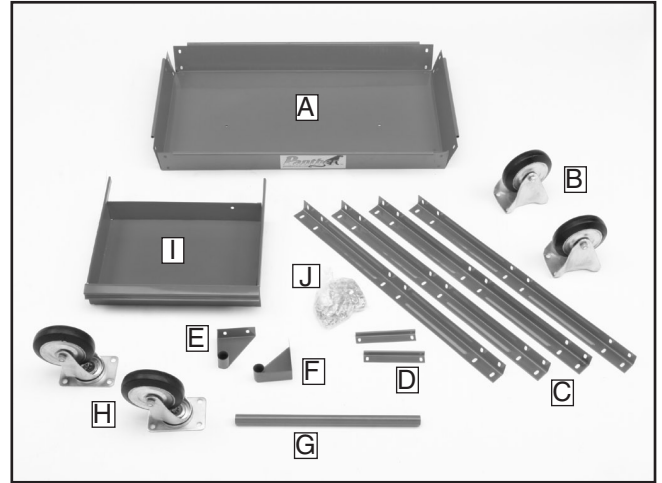


Figure 1. Main contents.

## Figure 1 - Main Contents.

<b>A.</b>	Shelf .....	3
<b>B.</b>	Fixed Caster .....	4
<b>C.</b>	Side Brace .....	4
<b>D.</b>	Drawer Bracket.....	2
<b>E.</b>	Handle Bracket (L) .....	1
<b>F.</b>	Handle Bracket (R).....	1
<b>G.</b>	Handle .....	1
<b>H.</b>	Swivel Castor .....	1
<b>I.</b>	Drawer.....	1
<b>J.</b>	Bolt Bag.....	1
	—Hex Bolt M6-1.0 x 12.....	48
	—Hex Nuts M6-1.0.....	48
	—Flat Washers 6mm .....	48
	—Lock Washers 6mm.....	48
	—Flat Head Screw M5-.8 x 11 .....	4
	—Hex Nut M5-.8 .....	4
	—Flat Washer 5mm .....	4
	—Lock Washer 5mm.....	4
	—Hex Bolt M10-1.5.....	16
	—Hex Nut M10-1.5 .....	16
	—Lock Washer 10mm.....	16

## WARNING

Children may climb into plastic bags and suffocate. Keep all plastic bags included in packaging out of the reach of children.

## CAUTION

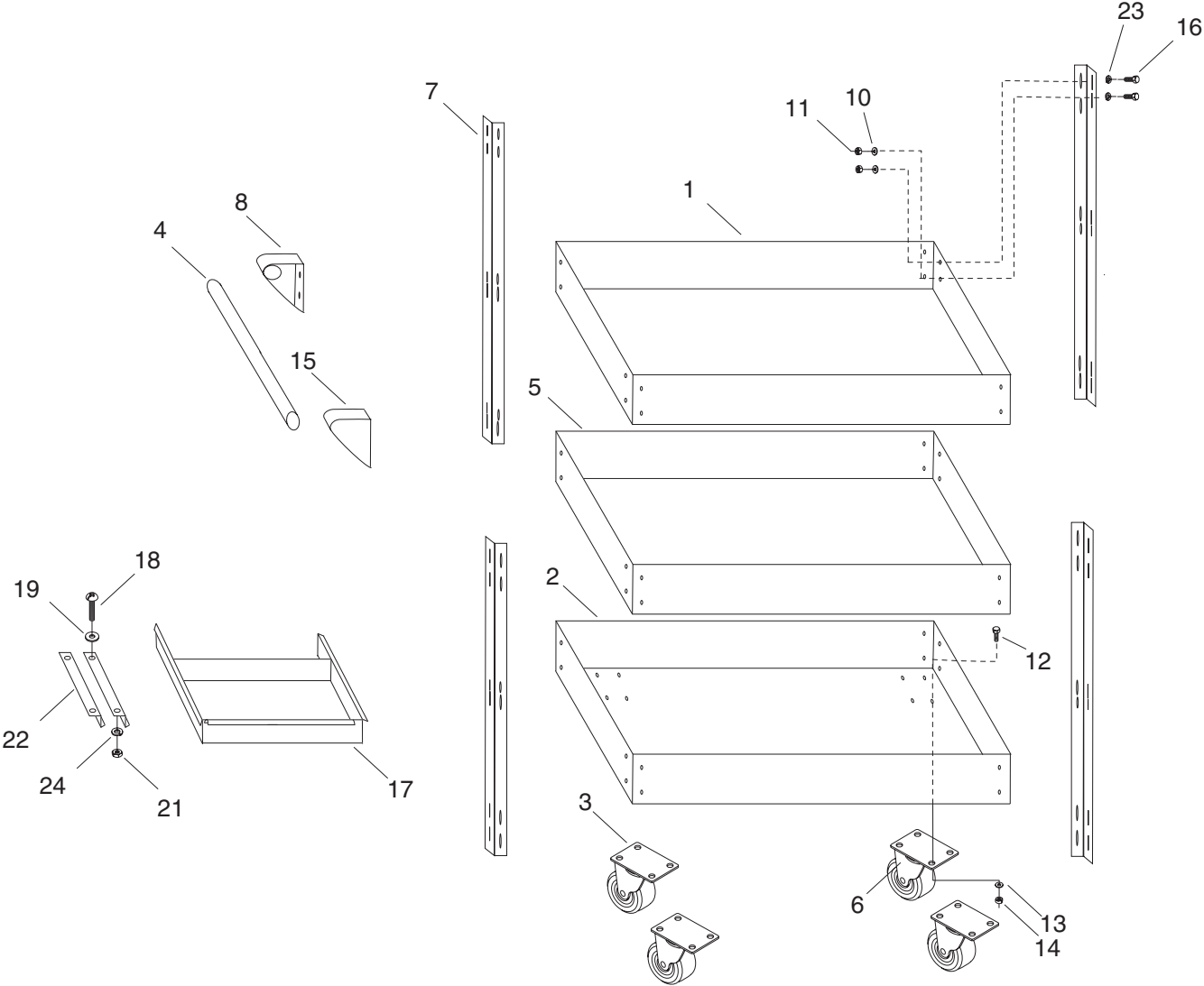
Adult supervision is always required while this wagon is being used by children.

# ASSEMBLY INSTRUCTIONS

1. Find the shelf that has four holes in each corner of the bottom. This is your bottom shelf.
2. Attach both fixed casters to one end of the bottom shelf with 10mm hex bolts, lock washers, and hex nuts.
3. Attach both swivel casters to the other end of the bottom shelf with the remaining 10mm hex bolts, lock washers, and hex nuts.
4. Fasten a side brace to each corner of the bottom shelf with 6mm bolts, flat washers, lock washers, and nuts. NOTE: *Only tighten the bolts finger tight until assembly is complete.*
5. Slide the middle shelf (the middle shelf has no holes in the bottom) between the side braces and down to the center set of holes. Attach with 6mm bolts, flat washers, lock washers, and nuts.
6. Attach the drawer brackets to the top shelf with 5mm Phillip head screws, flat washers, lock washers, and nuts.
7. Slide the top shelf between the side braces and fasten the sides and one end with 6mm bolts, flat washers, lock washers, and nuts.
8. Place a handle bracket on each end of the handle. Thread 6mm bolts through the handle assembly, side braces and the top shelf. Secure the handle assembly with the remaining flat washers, lock washers, and nuts.
9. Make sure the cart is straight and the shelves are level, then tighten all of the bolts.

*If you need additional help with this procedure, call our service department at: (570) 546-9663.*

# G7106 Parts Breakdown and List



REF	PART#	DESCRIPTION
1	P7106001	TOP SHELF
2	P7106002	BOTTOM SHELF
3	P7106003	SWIVEL CASTER
4	P7106004	HANDLE
5	P7106005	MIDDLE SHELF
6	P7106006	FIXED CASTER
7	P7106007	SIDE BRACE
8	P7106008	HANDLE BRACKET (L)
10	PW03M	FLAT WASHER 6MM
11	PN01M	HEX NUT M6-1
12	PB40M	HEX BOLT M10-1.5 X 15

REF	PART#	DESCRIPTION
13	PLW06M	LOCK WASHER 10MM
14	PN02M	HEX NUT M10-1.5
15	P7106015	HANDLE BRACKET (R)
16	PB02M	HEX BOLT M6-1 X 12
17	P7106017	DRAWER
18	PS09M	PHLP HD SCR M5-.8 X 10
19	PW02M	FLAT WASHER 5MM
21	PN06M	HEX NUT M5-.8
22	P7106022	DRAWER BRACKET
23	PLW03M	LOCK WASHER 6MM
24	PLW01M	LOCK WASHER 5MM