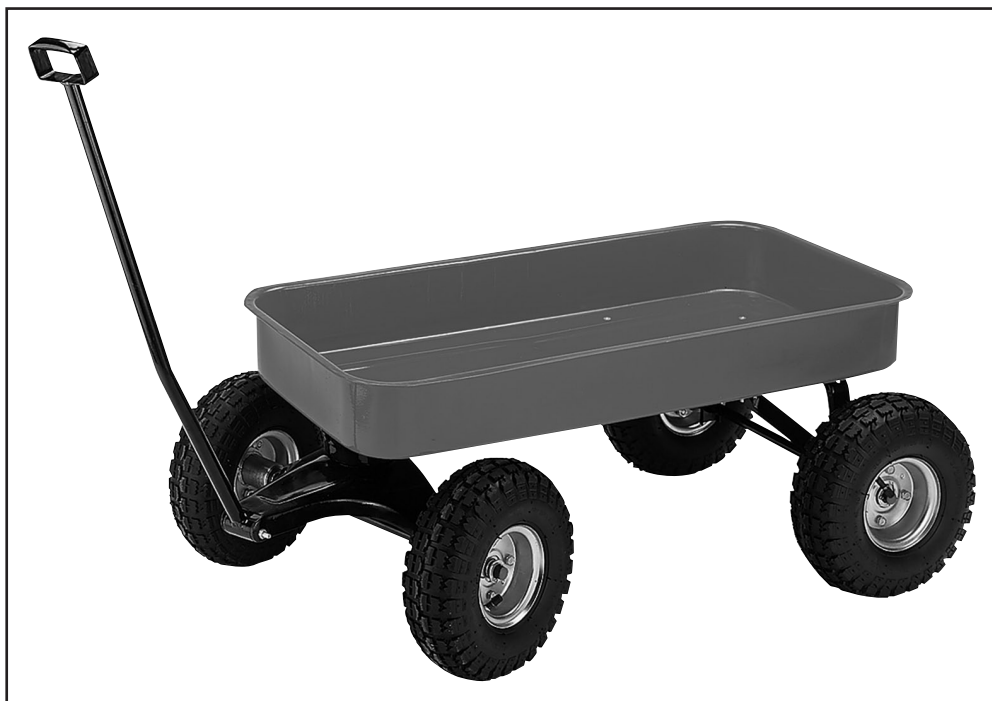


Panther™

panthercarts.com

HEAVY-DUTY RED WAGON MODEL G7111 INSTRUCTION SHEET



COPYRIGHT © APRIL, 2004 BY GRIZZLY INDUSTRIAL, INC.
WARNING: NO PORTION OF THIS MANUAL MAY BE REPRODUCED IN ANY SHAPE
OR FORM WITHOUT THE WRITTEN APPROVAL OF GRIZZLY INDUSTRIAL, INC.
#6225 PRINTED IN CHINA

PARTS INVENTORY

The Model G7111 was carefully packed when it left our warehouse. If you discover the wagon is damaged after you have signed for delivery, *please immediately call Customer Service at (570) 546-9663 for advice.*

Save the containers and all packing materials for possible inspection by the carrier or its agent. *Otherwise, filing a freight claim can be difficult.*

When you are completely satisfied with the condition of your shipment, you should inventory the contents.

Figure 1 - Main Contents.

A.	Bed	1
B.	Tires 4.10/3.50	4
C.	Rear Axle Braces	2
D.	Front Axle Assembly	1
E.	Rear Axle Assembly	1
F.	Steering Bracket.....	1
G.	Pull Handle.....	1
H.	Bolt Bag.....	1
	—Slot Head Screw M6-1 x 75.....	1
	—Flat Washers 6mm	9
	—Hex Nuts M6-1.....	9
	—Lock Washers 6mm.....	9
	—Flat Head Screws M6-1 x 16.....	8
	—Flat Washers 16mm	4
	—Plastic Axle Caps.....	4
	—Cotter Pins $\frac{3}{32}$ " x $1\frac{1}{2}$ "	5
	—Special Bolt M10-1.5 x 23	1
	—Flat Washer 10mm	1
	—Hex Nut M10-1.5	1

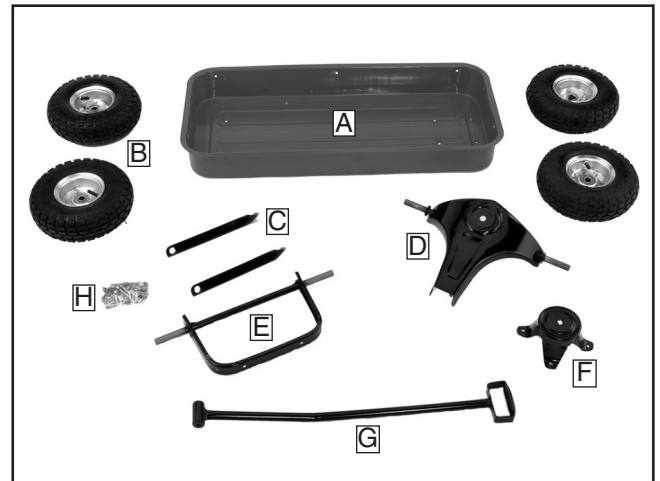


Figure 1. Main contents.

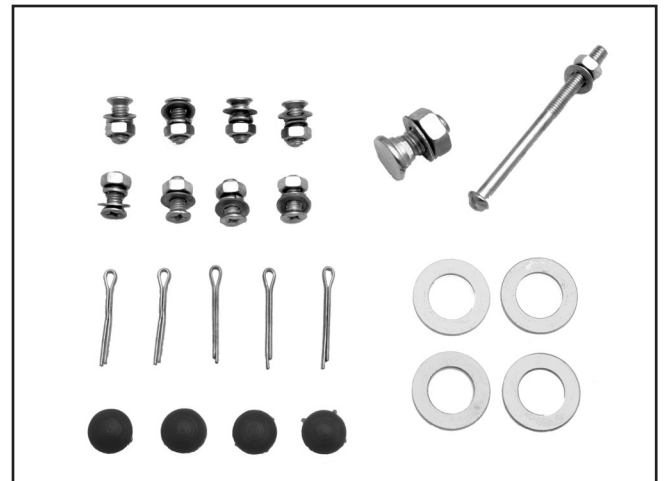


Figure 2. Bolt bag contents.

! WARNING

Children may climb into plastic bags and suffocate. Keep all plastic bags included in packaging out of the reach of children.

! CAUTION

Adult supervision is always required while this wagon is being used by children.

ASSEMBLY INSTRUCTIONS

FRONT SUPPORT ASSEMBLY

1. Attach the steering bracket to the front axle assembly with the special bolt, 10mm flat washer, and hex nut. Insert the cotter pin through the hole of the special bolt and spread. Do not overtighten the hex nut.
2. With the bed upside down, mount the steering bracket to the bed with four M6-1 flat head screws, flat washers, lock washers, and hex nuts. **Figure 3** shows the steering bracket properly mounted to the bed.



Figure 3. Steering bracket and front axle assembly mounted to the bed.

REAR AXLE ASSEMBLY & WHEELS

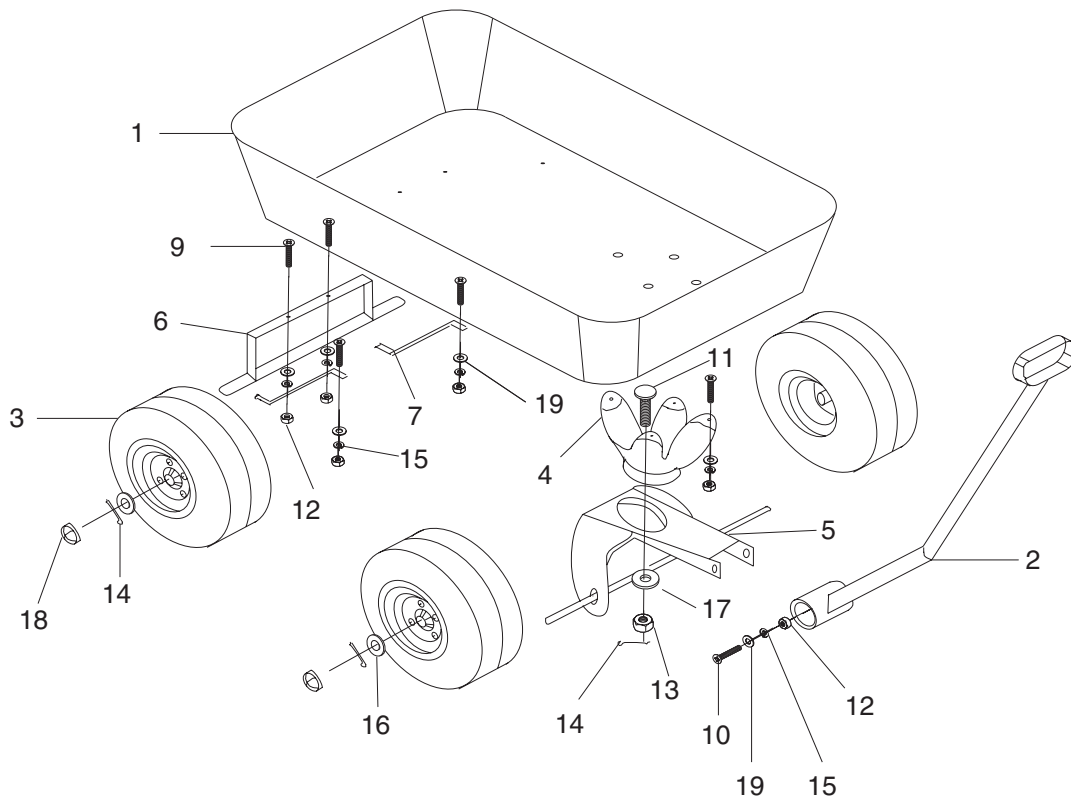
1. Loosely mount the rear axle support to the bed using two M6-1 x 16 flat head screws, flat washers, lock washers, and hex nuts.
2. Slide the rear axle braces onto the rear axles and bolt the opposite ends of the braces to the bed using the remaining M6-1 x 16 flat head screws, flat washers, lock washers, and hex nuts.
3. Tighten the rear axle support.
4. Slide a wheel onto each axle with the valve stems to the outside.
5. Place a 16mm flat washer onto each axle.
6. Insert and spread a cotter pin into each axle, and place the plastic axle caps into the axles.

PULL HANDLE

1. Using the M6-1 x 75 slot head screw, M6-1 hex nut, flat washer, and lock washer, attach the pull handle to the opening in the front axle support.

If you need additional help with the assembly, call our service department at: (570) 546-9663.

G7111 Parts Breakdown and List



REF	PART#	DESCRIPTION
1	P7111001	BED
2	P7111002	PULL HANDLE
3	P7111003	TIRES 4.10/3.50
4	P7111004	STEERING BRACKET
5	P7111005	FRONT AXLE ASSEMBLY
6	P7111006	REAR AXLE ASSEMBLY
7	P711107	REAR AXLE BRACE
9	PFH38M	FLAT HD SCR M6-1 X 16
10	PS84M	PHLP HD SCR M6-1 X 75

REF	PART#	DESCRIPTION
11	P7111011	SPECIAL BOLT M10-1.5 X 23
12	PN01M	HEX NUT M6-1
13	PN02M	HEX NUT M10-1.5
14	P7111014	COTTER PIN 3/32 X 1-1/2
15	PLW03M	LOCK WASHER 6MM
16	PW08M	FLAT WASHER 16MM
17	PW04M	FLAT WASHER 10MM
18	P7111018	PLASTIC AXLE CAP
19	PW03M	FLAT WASHER 6MM