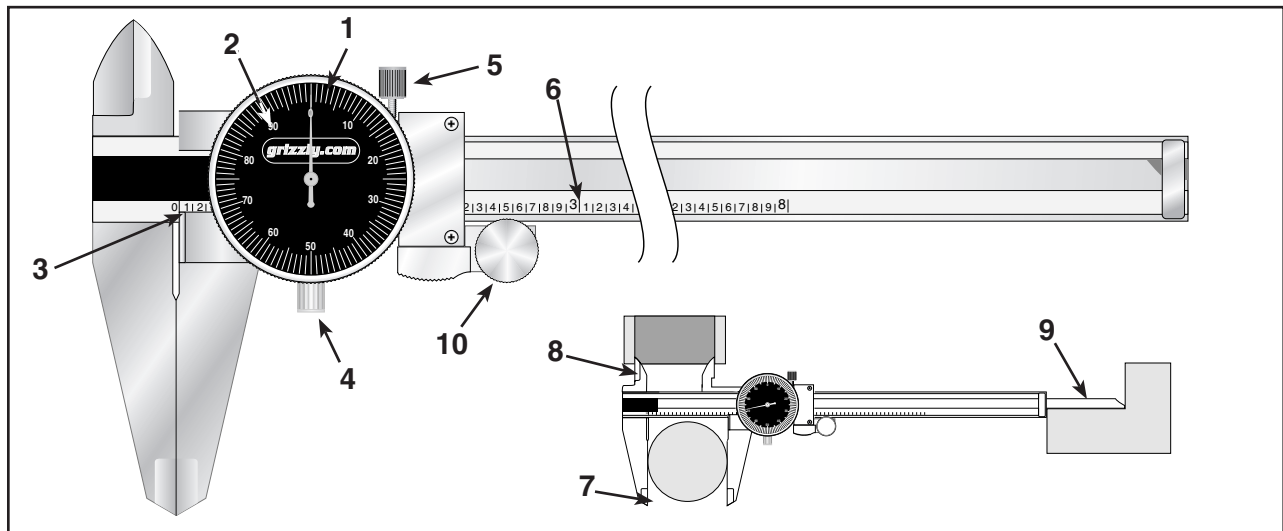


## Instruction Sheet For Dial Calipers

Grizzly Dial Calipers feature 0.001" resolution, a 1½" easy-to-read dial and precision ground stainless steel construction. Using this tool will allow you to measure internal, external and depth quickly and precisely.

Please read the instructions below to maximize the effectiveness of this tool. If you need additional help with any of these instructions, please contact our Customer Service Department at 570-546-9663 or by internet at [techsupport@grizzly.com](mailto:techsupport@grizzly.com).



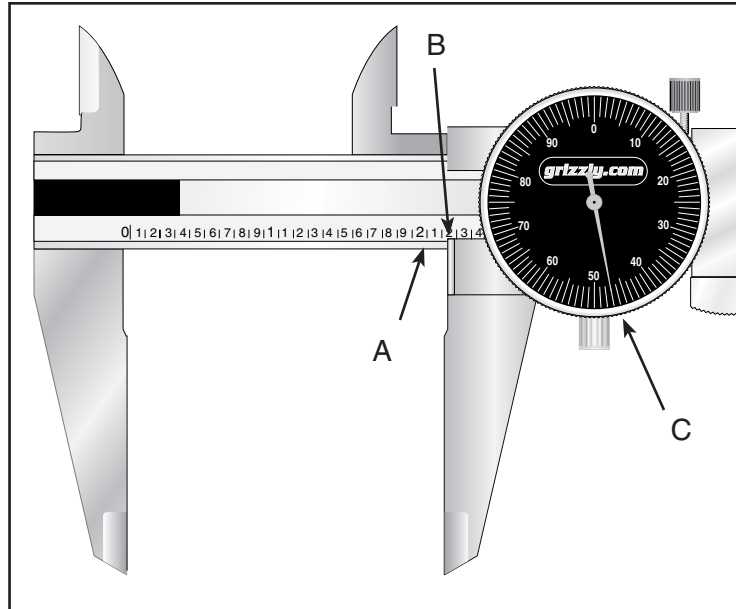
**Figure 1.** Labels for components.

Listed below are the dial caliper components. Match the description with the corresponding part number in the illustration above.

- |  |  |
|--|--|
| <ol style="list-style-type: none"> <li>1. The distance between the <b>White Lines</b> equals 0.001" (one thousandths of an inch).</li> <li>2. The <b>Dial Numbers</b> represent 0.010" (ten thousandths of an inch).</li> <li>3. Each number on the <b>Revolution Scale</b> represents one full rotation of the needle and is equal to 0.100" (one hundred thousandths or 1/10 of an inch). The jaw index indicates which number is read. See <b>Figure 2</b> for how the measurement is read.</li> <li>4. The <b>Dial Lock</b> secures the dial after zero is set. Clean the jaw faces of any dirt or dust and close the jaws together. If the</li> </ol> | <ol style="list-style-type: none"> <li>hand is not on "0" then you can turn the dial to align it to "0". Once aligned, lock down the bezel with the dial lock (4).</li> <li>5. The <b>Caliper Lock</b> secures the dial to the body, maintaining a measurement.</li> <li>6. The <b>Inch Markers</b> denote each full inch of measurement.</li> <li>7. The <b>External Caliper Jaws</b> are used for external measurements.</li> <li>8. The <b>Internal Jaws</b> are used for internal measurements.</li> <li>9. The <b>Depth Blade</b> is used to gauge depth.</li> <li>10. The <b>Thumbwheel</b> is used to move the dial assembly along the caliper body.</li> </ol> |
|--|--|

Dial Calipers can measure objects with an accuracy of 0.001". Some rules of use should be observed to maximize precision.

- Wipe the jaws clean before use.
- Check the position of zero on the dial with the jaws closed and adjust if needed by loosening the dial lock and rotating the bezel.
- Always use the thumb wheel to close or open the jaws and never apply too much pressure.
- Hold the caliper perpendicular to the measured surface.
- As the jaws open, the rack is exposed. Do not allow dust and debris to settle here or accuracy will be lost and internal damage may occur.
- Do not drop the calipers.



**Figure 2.** Measuring 2.147".

In the illustration above, the calipers have been set at 2.147". The following describes how this measurement was read.

The jaw index has passed the 2 <b>Inch Mark, A.</b>	2.000"
The jaw index has passed the 1 on the <b>Revolution Scale, B.</b>	.100"
The needle has passed the 40 on the <b>Dial Numbers.</b>	.040"
There are 7 <b>White Lines</b> after the 40 mark, <b>C.</b>	.007"
The total measurement =	2.147"