



MODEL H5376

3/4 HP ELECTRIC MOTOR

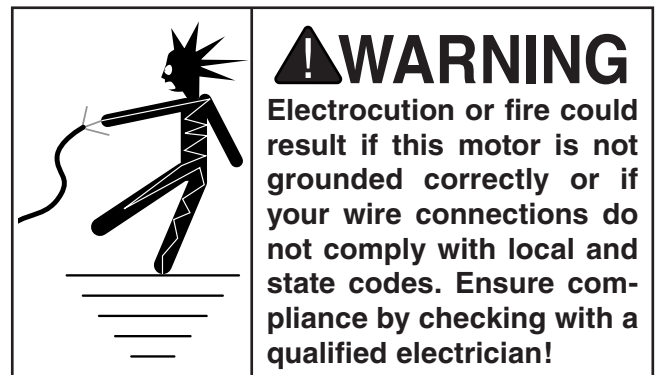
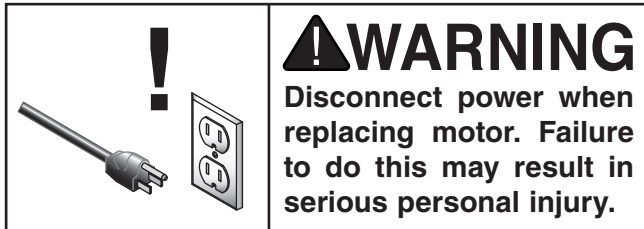
INSTRUCTION SHEET

Model H5376 Specifications

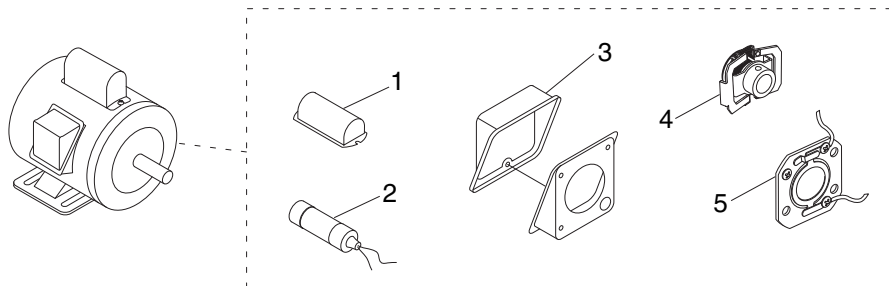
Power 3/4 HP
 Cycle..... 60Hz
 Voltage 110V
 Amps 11A
 RPM..... 1725
 Phase Single
 Class..... B
 Start Capacitor 200MFD 125VAC
 Dimensions..... 1 1/2"D x 2 3/8"L

Electrical Safety

If you are unsure how to attach wires to terminals, DO NOT continue. Contact a qualified electrician for assistance. Connecting wires improperly may cause them to come loose or contact other wires, which can cause electrocution, fire, or a short.



Replaceable Parts



REF	PART #	DESCRIPTION
1	PH5376001	S CAPACITOR COVER
2	PC200B	S CAPACITOR 200M 125V 1-1/2 X 2-3/8
3	PH5376003	JUNCTION BOX

REF	PART #	DESCRIPTION
4	PH5376004	CENTRIFUGAL SWITCH
5	PH5376005	CONTACT PLATE

COPYRIGHT © DECEMBER, 2007 BY GRIZZLY INDUSTRIAL, INC.
WARNING: NO PORTION OF THIS INSTRUCTION SHEET MAY BE REPRODUCED IN ANY SHAPE OR FORM WITHOUT THE WRITTEN APPROVAL OF GRIZZLY INDUSTRIAL, INC.
 #JB10234 PRINTED IN TAIWAN

H5376 Wiring Diagram

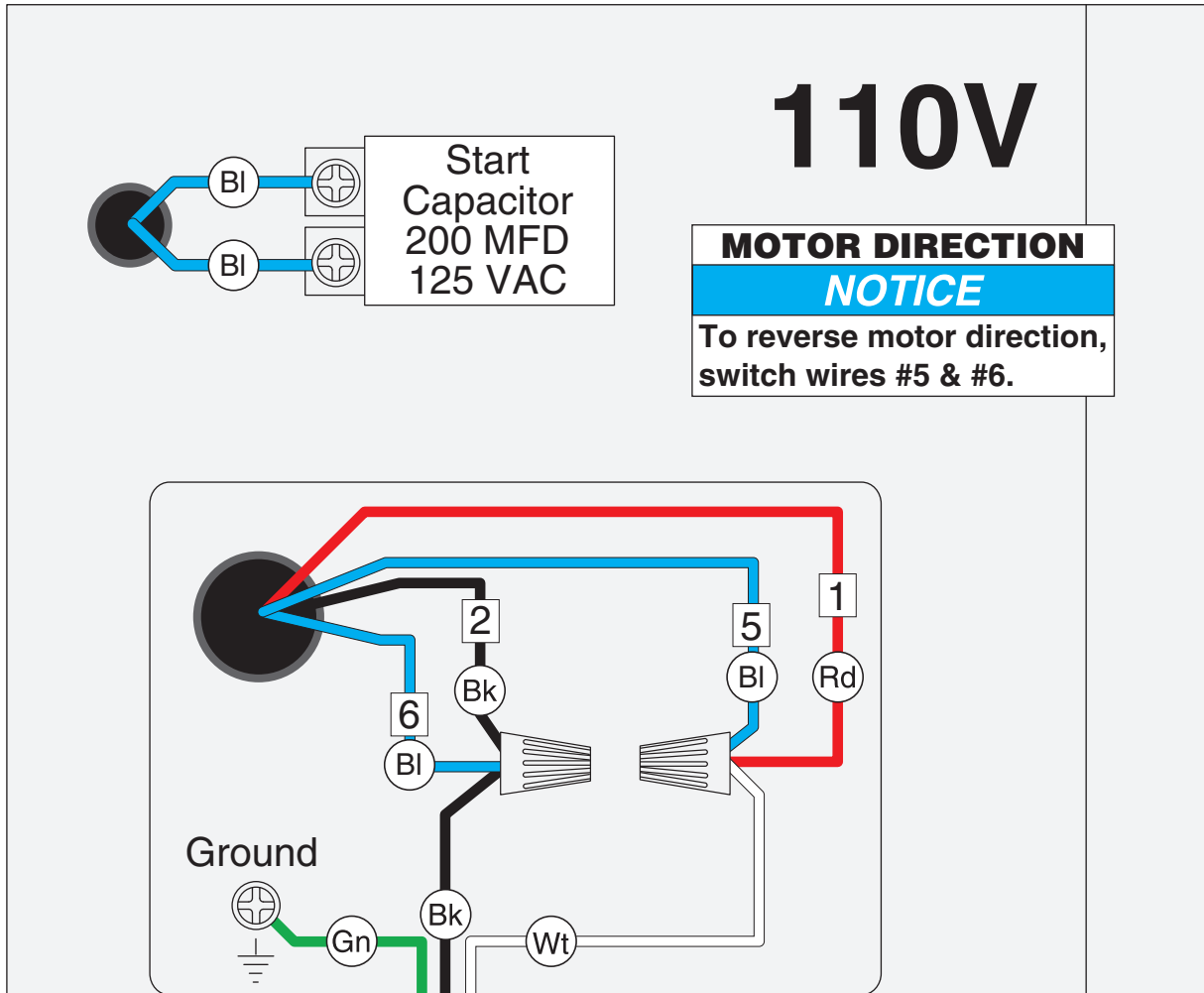
COLOR KEY			
BLACK		RED	
WHITE		YELLOW	
GREEN		BLUE	



⚠ WARNING!

SHOCK HAZARD!
Disconnect power before working on wiring.





 View this page in color at www.grizzly.com.

NOTICE

The motor wiring shown here is current at the time of printing, but it may not match your machine. Always use the wiring diagram inside the motor junction box.

