



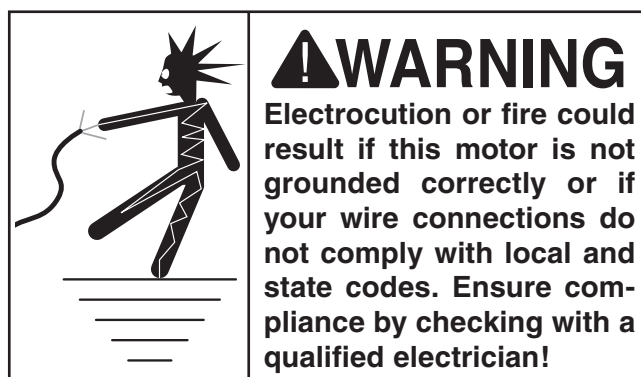
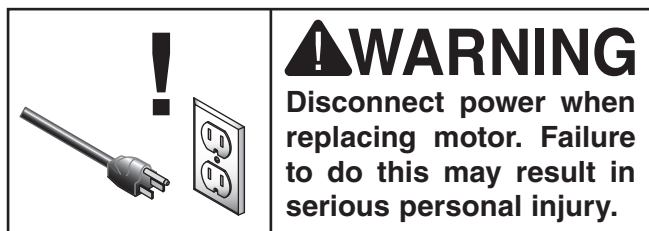
# MODEL H5377 3/4 HP ELECTRIC MOTOR WIRING DIAGRAM

## Model H5377 Specifications

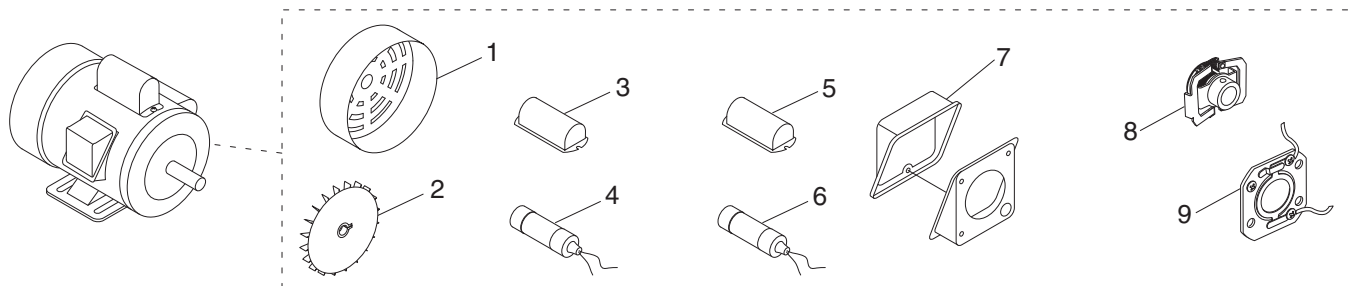
Power ..... 3/4 HP  
 Cycle.....60Hz  
 Voltage .....110/220V  
 Rewired ..... 110V  
 Amps .....9/4.5A  
 RPM..... 1725  
 Phase ..... Single  
 Class..... B  
 Start Capacitor .....200MFD 125VAC  
 Dimensions..... 1 1/2"D x 2 3/8"L  
 Run Capacitor ..... 30MFD 250VAC  
 Dimensions..... 1 1/2"D x 2 3/8"L

## Electrical Safety

If you are unsure how to attach wires to terminals, DO NOT continue. Contact a qualified electrician for assistance. Connecting wires improperly may cause them to come loose or contact other wires, which can cause electrocution, fire, or a short.



## Replaceable Parts

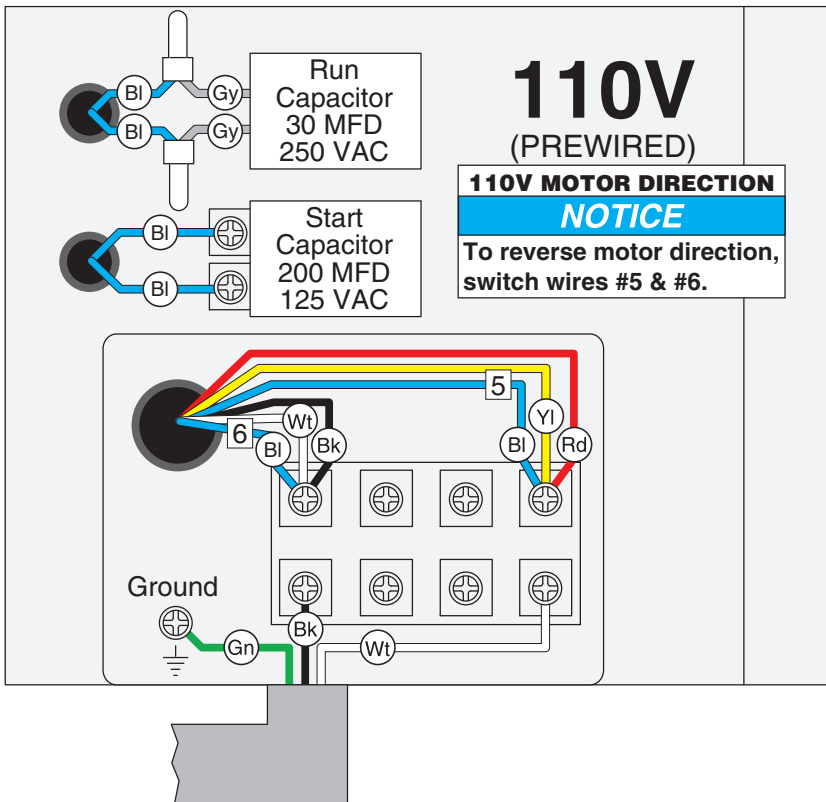


REF	PART #	DESCRIPTION
1	PH5377001	MOTOR FAN COVER
2	PH5377002	MOTOR FAN
3	PH5377003	S CAPACITOR COVER
4	PC200C	S CAPACITOR 200M 125V 1-1/2 X 2-3/8
5	PH5377005	R CAPACITOR COVER

REF	PART #	DESCRIPTION
6	PC030B	R CAPACITOR 30M 250V 1-1/2 X 2-3/8
7	PH5377007	JUNCTION BOX
8	PH5377008	CENTRIFUGAL SWITCH
9	PH5377009	CONTACT PLATE

COPYRIGHT © DECEMBER, 2007 BY GRIZZLY INDUSTRIAL, INC.  
**WARNING: NO PORTION OF THIS INSTRUCTION SHEET MAY BE REPRODUCED IN ANY SHAPE OR FORM WITHOUT THE WRITTEN APPROVAL OF GRIZZLY INDUSTRIAL, INC.**  
 #JB10223 PRINTED IN TAIWAN

# H5377 Wiring Diagram

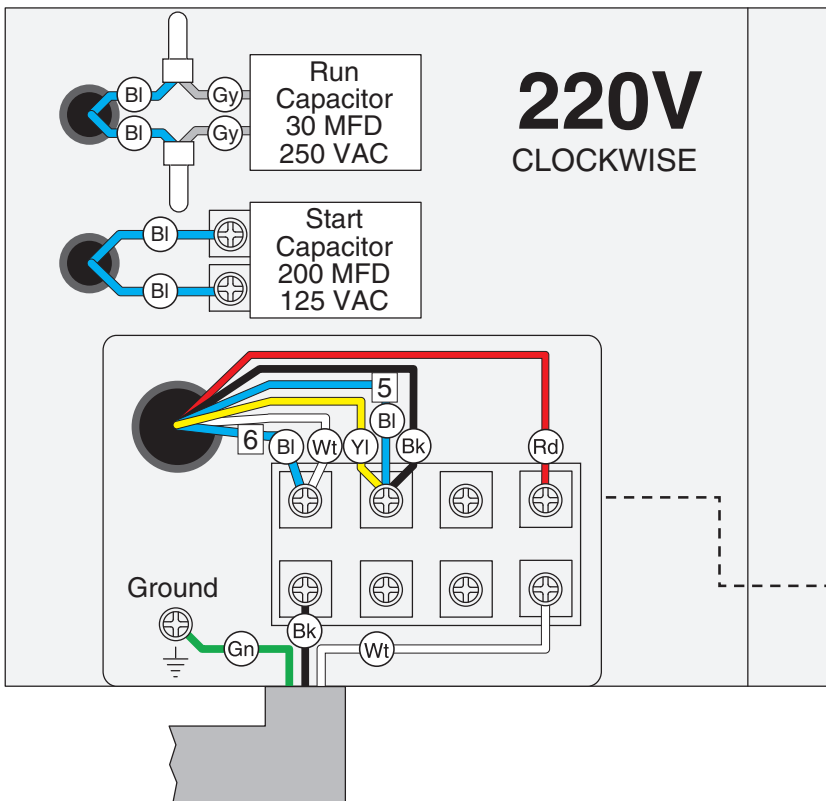


View this page in color at [www.grizzly.com](http://www.grizzly.com).

**COLOR KEY**

BLACK	Bk
WHITE	Wt
GREEN	Gn
GRAY	Gy
RED	Rd
YELLOW	Yl
BLUE	Bl

**WARNING!**  
**SHOCK HAZARD!**  
Disconnect power  
before working on  
wiring.



**NOTICE**

The motor wiring shown here is current at the time of printing, but it may not match your machine. Always use the wiring diagram inside the motor junction box.

