



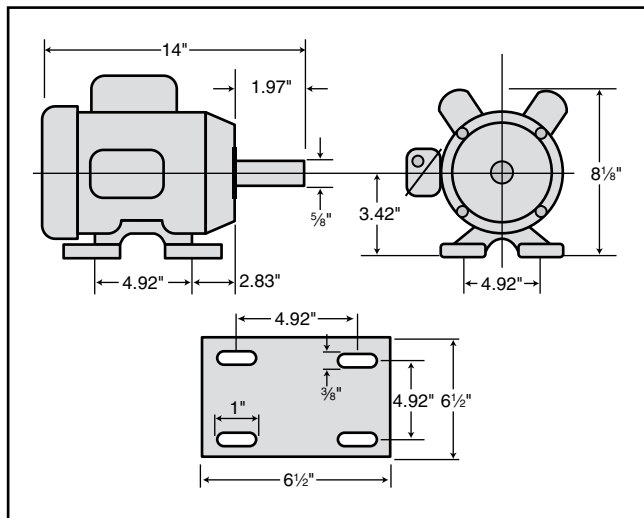
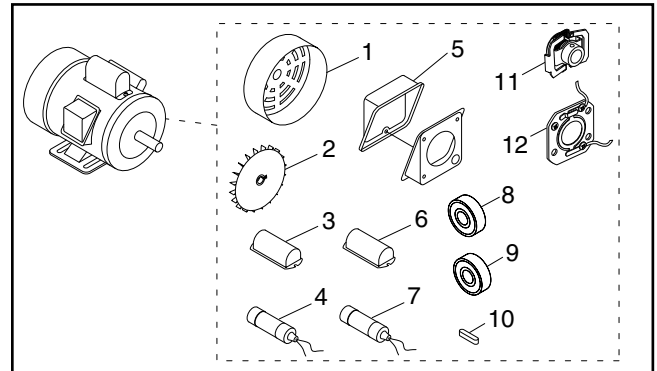
MODEL H5386 2 HP ELECTRIC MOTOR INSTRUCTIONS

For questions or help with this product contact Tech Support at (570) 546-9663 or techsupport@grizzly.com

Model H5386 Specifications

Power.....2 HP
 Cycle.....60 Hz
 Voltage.....110V/220V
 Prewired110V
 Amps18.6A/9.3A
 Speed3450 RPM
 PhaseSingle-Phase
 Class.....B
 Start Capacitor400MFD 125VAC
 Dimensions.....1³/₄"D x 3³/₈"L
 Run Capacitor.....40MFD 250VAC
 Dimensions.....1³/₈"D x 2³/₈"L

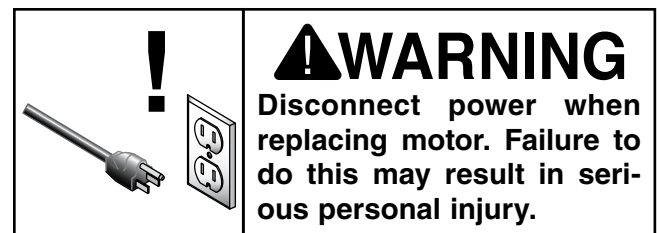
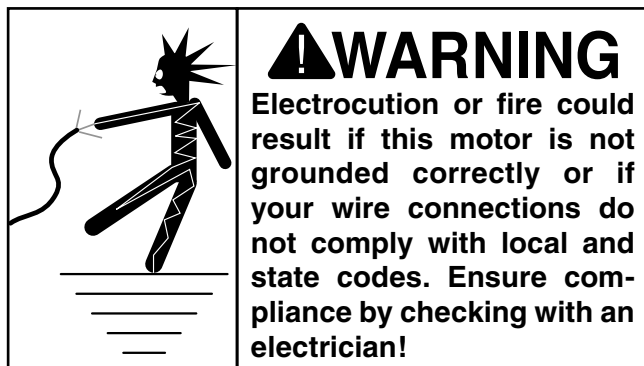
Replaceable Parts



REF	PART #	DESCRIPTION
1	PH5386001	MOTOR FAN COVER
2	PH5386002	MOTOR FAN
3	PH5386003	S CAPACITOR COVER
4	PH5386004	S CAPACITOR 400M 125V 1-3/4 X 3-3/8
5	PH5386005	JUNCTION BOX
6	PH5386006	RUN CAPACITOR COVER
7	PH5386007	R CAPACITOR 40M 250V 1-3/8 X 2-3/8
8	PH5386008	BALL BEARING 6202ZZ
9	PH5386009	BALL BEARING 6203ZZ
10	PH5386010	KEY 5 X 5 X 35
11	PH5386011	CENTRIFUGAL SWITCH 3450 RPM
12	PH5386012	CONTACT PLATE

Making Wire Connections

If you are unsure how to attach wires to terminals, DO NOT continue. Contact an electrician for assistance. Connecting wires improperly may cause them to come loose or contact other wires, which can cause electrocution, fire, or a short.


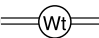

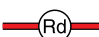
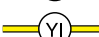



COPYRIGHT © NOVEMBER, 2013 BY GRIZZLY INDUSTRIAL, INC.
 NO PORTION OF THIS MANUAL MAY BE REPRODUCED IN ANY SHAPE
 OR FORM WITHOUT THE WRITTEN APPROVAL OF GRIZZLY INDUSTRIAL, INC.
 FOR MODELS MANUFACTURED SINCE 12/03 #DM16089 PRINTED IN TAIWAN

H5386 Wiring Diagram

View this page in color at www.grizzly.com.

NOTICE
The motor wiring shown here is current at the time of printing, but it may not match your motor. Always use the wiring diagram inside the motor junction box.

COLOR KEY	
BLACK	
WHITE	
GREEN	
RED	
YELLOW	
BLUE	
GRAY	