



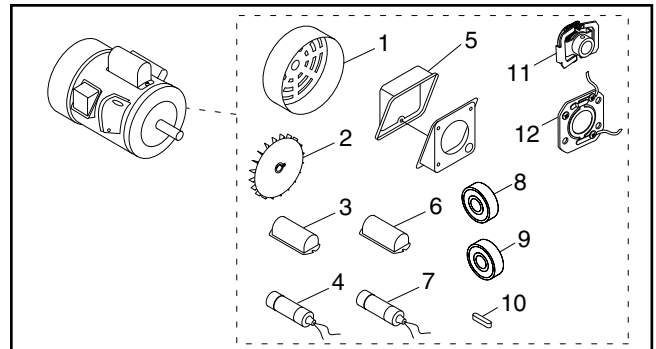
MODEL H5387 3 HP ELECTRIC MOTOR INSTRUCTIONS

For questions or help with this product contact Tech Support at (570) 546-9663 or techsupport@grizzly.com

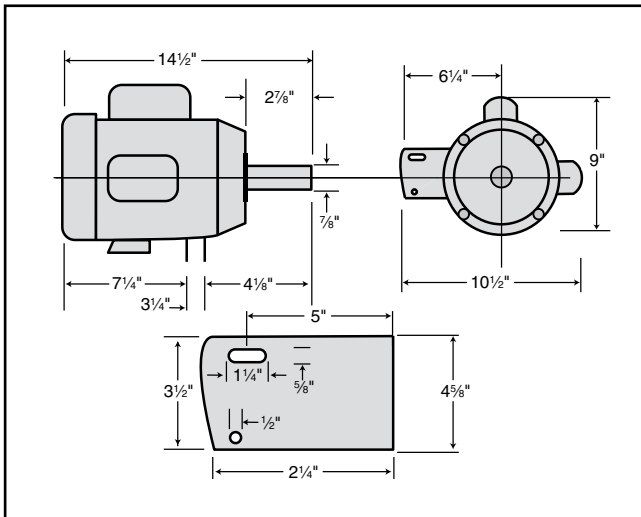
Model H5387 Specifications


Power..... 3 HP
 Cycle..... 60 Hz
 Voltage..... 220V
 Amps 13.5A
 Speed 3450 RPM
 Phase Single-Phase
 Class..... B
 Start Capacitor 600MFD 125VAC
 Dimensions..... 1³/₄"D x 3³/₈"L
 Run Capacitor..... 30MFD 250VAC
 Dimensions..... 1³/₈"D x 2³/₈"L

Replaceable Parts

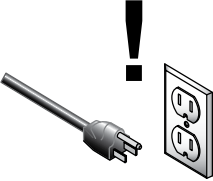


REF	PART #	DESCRIPTION
1	PH5387001	MOTOR FAN COVER
2	PH5387002	MOTOR FAN
3	PH5387003	S CAPACITOR COVER
4	PH5387004	S CAPACITOR 600M 125V 1-3/4 X 3-3/8
5	PH5387005	JUNCTION BOX
6	PH5387006	RUN CAPACITOR COVER
7	PH5387007	R CAPACITOR 30M 250V 1-3/8 X 2-3/8
8	PH5387008	BALL BEARING 6205ZZ
9	PH5387009	BALL BEARING 6203ZZ
10	PH5387010	KEY 5 x 5 x 35
11	PH5387011	CENTRIFUGAL SWITCH 3450 RPM
12	PH5387012	CONTACT PLATE





⚠ WARNING
 Electrocutation or fire could result if this motor is not grounded correctly or if your wire connections do not comply with local and state codes. Ensure compliance by checking with an electrician!

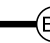
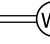





⚠ WARNING
 Disconnect power when replacing motor. Failure to do this may result in serious personal injury.

H5387 Wiring Diagram

 View this page in color at www.grizzly.com.

NOTICE
The motor wiring shown here is current at the time of printing, but it may not match your motor. Always use the wiring diagram inside the motor junction box.

COLOR KEY	
BLACK	 Bk
WHITE	 Wt
GREEN	 Gn
BLUE	 Bl
GRAY	 Gy

