



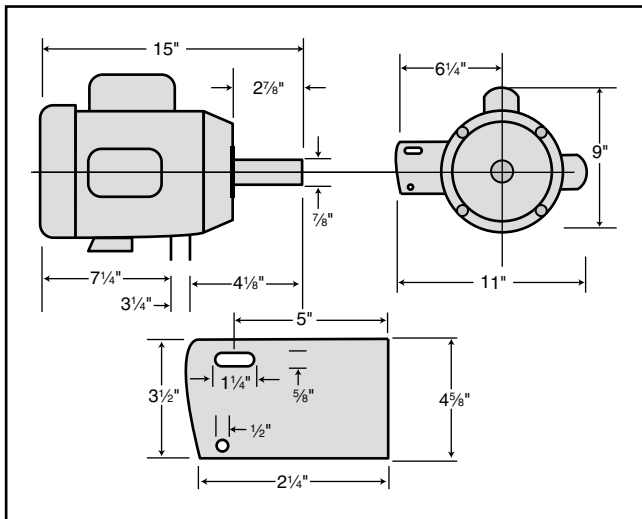
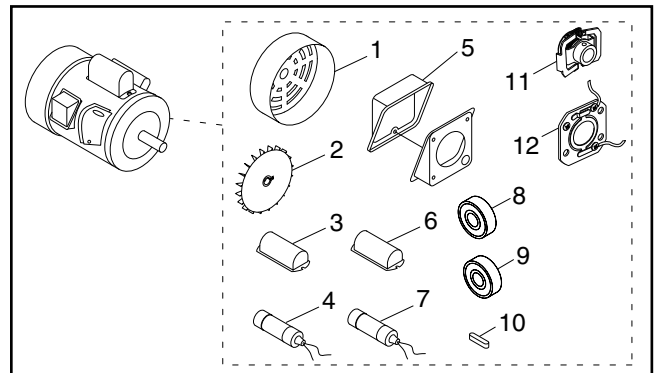
# MODEL H5389 5 HP ELECTRIC MOTOR INSTRUCTIONS

For questions or help with this product contact Tech Support at (570) 546-9663 or techsupport@grizzly.com

## Model H5389 Specifications

Power..... 5 HP  
 Cycle..... 60 Hz  
 Voltage..... 220V  
 Amps..... 25A  
 Speed..... 3450 RPM  
 Phase..... Single-Phase  
 Class..... B  
 Start Capacitor..... 400MFD 125VAC  
 Dimensions..... 1<sup>3</sup>/<sub>4</sub>"D x 3<sup>3</sup>/<sub>8</sub>"L  
 Run Capacitor..... 50MFD 350VAC  
 Dimensions..... 1<sup>3</sup>/<sub>4</sub>"D x 3<sup>3</sup>/<sub>8</sub>"L

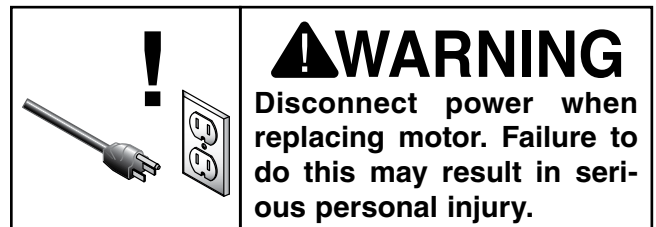
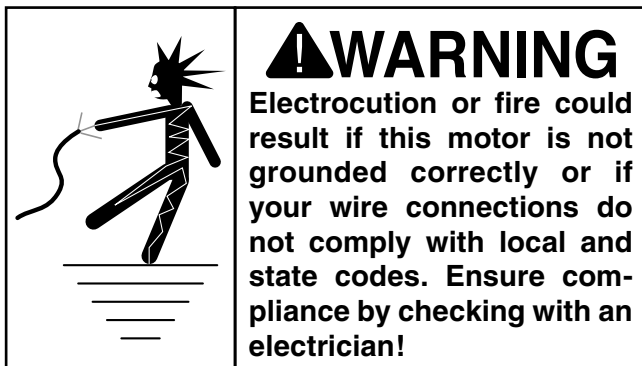
## Replaceable Parts



REF	PART #	DESCRIPTION
1	PH5389001	MOTOR FAN COVER
2	PH5389002	MOTOR FAN
3	PH5389003	S CAPACITOR COVER
4	PH5389004	S CAPACITOR 400M 125V 1-3/4 X 3-3/8
5	PH5389005	JUNCTION BOX
6	PH5389006	RUN CAPACITOR COVER
7	PH5389007	R CAPACITOR 50M 350V 1-3/4 X 3-3/8
8	PH5389008	BALL BEARING 6205ZZ
9	PH5389009	BALL BEARING 6203ZZ
10	PH5389010	KEY 5 x 5 x 35
11	PH5389011	CENTRIFUGAL SWITCH 3450 RPM
12	PH5389012	CONTACT PLATE

## Making Wire Connections






If you are unsure how to attach wires to terminals, DO NOT continue. Contact an electrician for assistance. Connecting wires improperly may cause them to come loose or contact other wires, which can cause electrocution, fire, or a short.



# H5389 Wiring Diagram

 View this page in color at [www.grizzly.com](http://www.grizzly.com).

**NOTICE**  
The motor wiring shown here is current at the time of printing, but it may not match your motor. Always use the wiring diagram inside the motor junction box.

COLOR KEY	
BLACK	 Bk
WHITE	 Wt
GREEN	 Gn
RED	 Rd
BLUE	 Bl

