



MODEL H6252 5 LB. VERTICAL SAUSAGE STUFFER INSTRUCTIONS

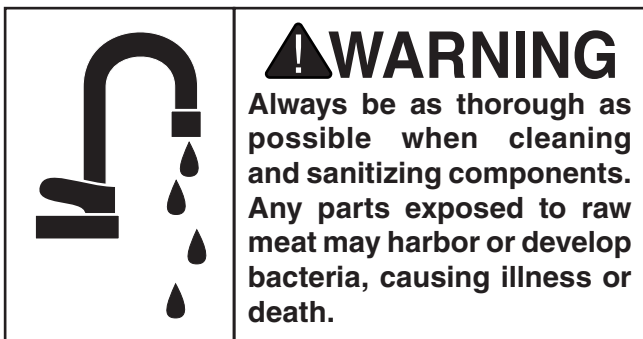
For questions or help with this product contact Tech Support at (570) 546-9663 or techsupport@grizzly.com

Introduction

The Model H6252 Vertical Sausage Stuffer can grind up to 5 lbs. at a time (see **Figure 1**).



Figure 1. Model H6252.



WARNING
Always be as thorough as possible when cleaning and sanitizing components. Any parts exposed to raw meat may harbor or develop bacteria, causing illness or death.

Instructions

Refer to the parts diagram on the following page to identify parts that are referenced in these steps.

1. Make sure all parts are cleaned and sanitized, then place cylinder on base.
2. Select desired stuffing tube, remove end nut, slide stuffing tube through nut from the inside out, and re-attach end nut to cylinder.

3. Attach handle to gear shaft with wing nut. Rotate handle counterclockwise to raise piston.
4. Remove cylinder, put a maximum of 5 lbs. of meat in it, then replace the cylinder.
5. Place casing over stuffing tube, and hold it in place with your hand.
6. Turn handle clockwise to drive piston into the cylinder; this will stuff meat into the casing.



WARNING
When cleaning with sanitizers, always follow the manufacturer's recommendations. Never use products that cause exposed surfaces to render meat unsafe for consumption. Failure to follow this warning may lead to sickness or death!

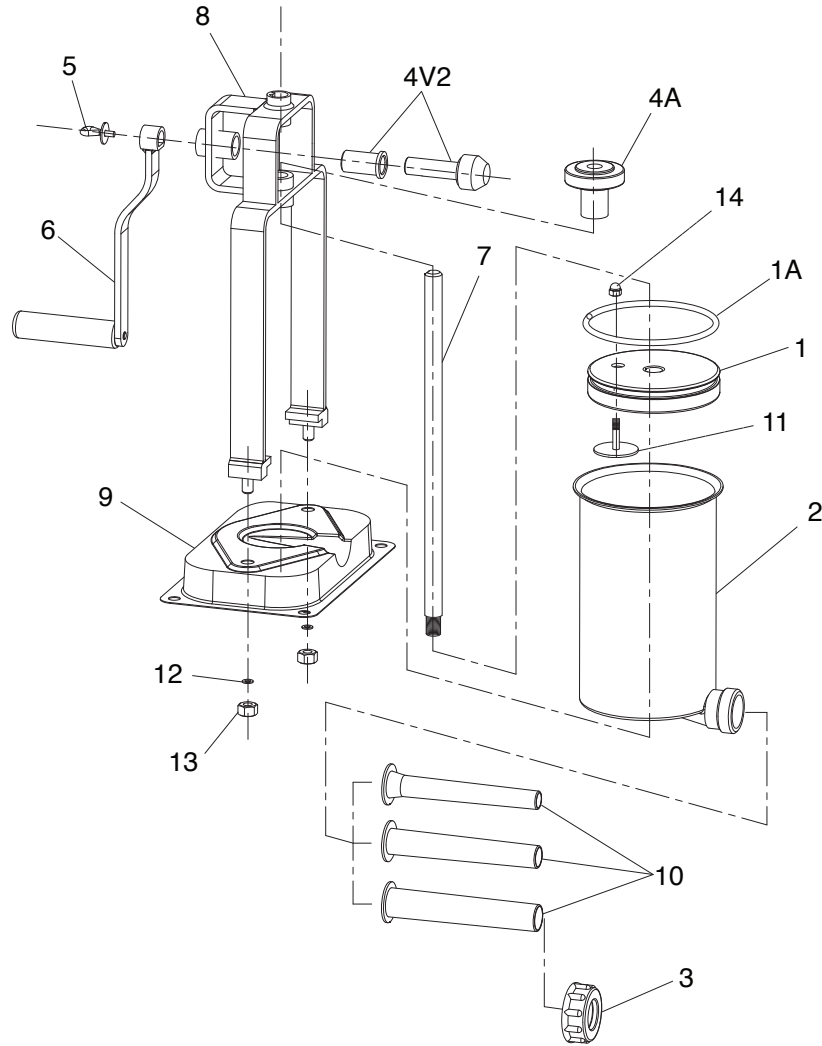
Cleaning

1. Remove the piston (turn handle counterclockwise), cylinder, stuffing tube, and end nut after each use, and properly clean and sanitize them.
2. Wipe entire body with a sanitizing agent.

Lubrication

Use a food grade lubricant on the threaded rod gear after cleaning. Make sure to choose a lubricant that will not turn rancid.

H6252 Parts



REF	PART #	DESCRIPTION
1	PH6252001	PISTON
1A	PH6252001A	O-RING 102 X 6.3
2	PH6252002	CYLINDER
3	PH6252003	END NUT
4V2	PH6252004V2	SMALL GEAR 8T W/BUSHING V2.12.08
4A	PH6252004A	LARGE GEAR 16T
5	PH6252005	HANDLE WING NUT
6	PH6252006	HANDLE

REF	PART #	DESCRIPTION
7	PH6252007	CENTER THREADED ROD
8	PH6252008	FRAME
9	PH6252009	BASE
10	PH6252010	STUFFING TUBES 3-PC 5/8", 7/8", 1"
11	PH6252011	AIR RELEASE VALVE
12	PH6252012	BASE FLAT WASHER
13	PH6252013	BASE HEX NUT
14	PH6252014	AIR RELEASE NUT

Please Note: We do our best to stock replacement parts whenever possible, but we cannot guarantee that all parts shown here are available for purchase. Call (800) 523-4777 or visit our online parts store at www.grizzly.com to check for availability.

