



1250 Lb. Low Profile Transmission Jack

MODEL H8089

Specifications

Maximum Lifting Capacity 1250 Lbs.
Lifting Range 6⁵/₈"–24⁵/₈"
Weight 98 Lbs.

Assembly

Refer to the parts breakdown on the back of this page to understand how the jack is assembled.

Operation

Pump Control Knob (Figure 1): Tighten clockwise to allow the jack platform to lift when pumped. Turn counterclockwise to lower the jack. (If the jack holds a heavy load, turn the knob very slowly to control the lowering rate and avoid dropping the load.)

Pump Arm (Figure 1): The pump arm lifts the jack platform when moved up and down.

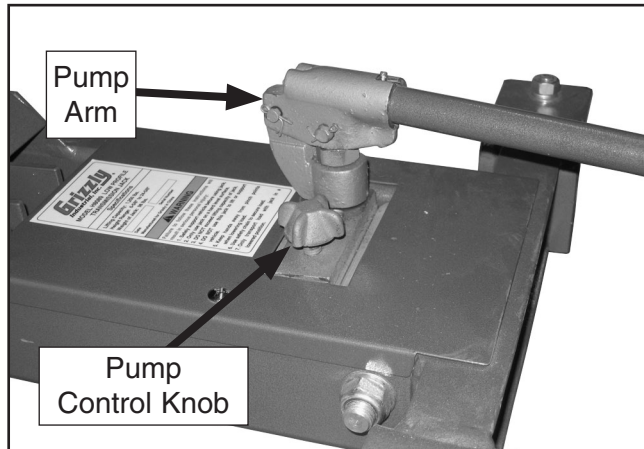


Figure 1. Pump controls.

Platform Adjustment Knobs (Figure 2): Located under the jack platform, these knobs allow for precision placement and leveling of the platform.

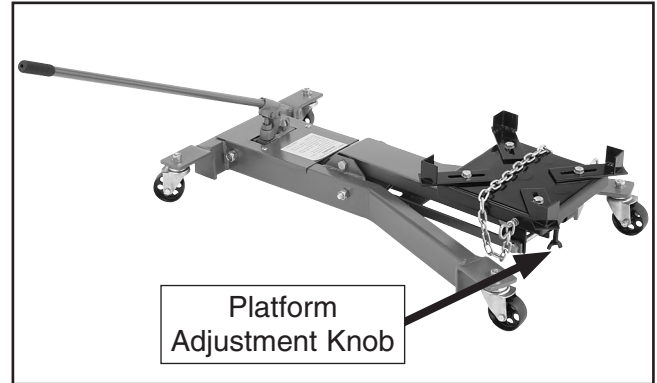


Figure 2. Platform adjustment knob.

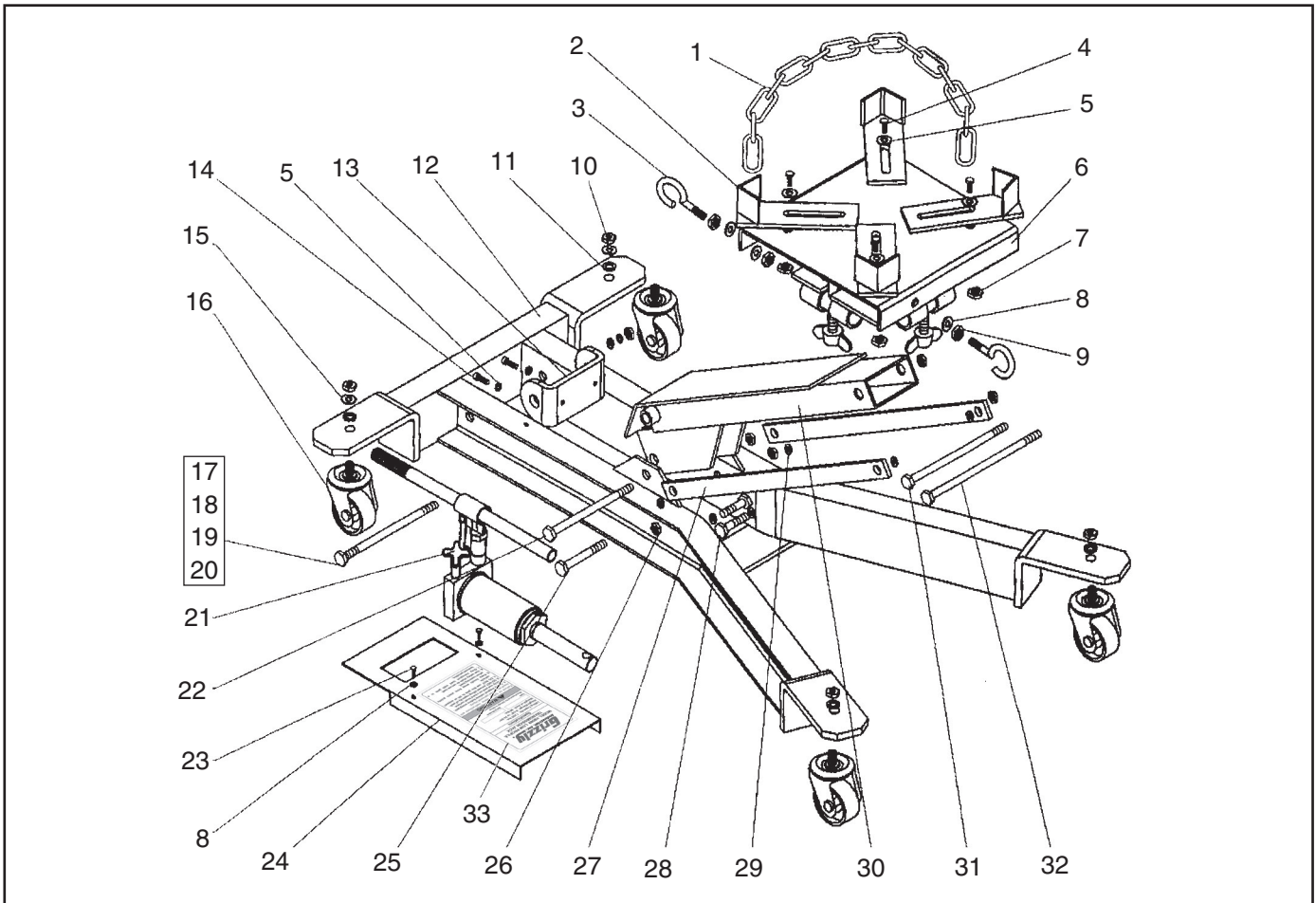
!WARNING

This jack is designed to assist in transmission removal only. Failure to follow these instructions when using the transmission jack could result in serious personal injury or death:

1. ALWAYS support the vehicle with appropriately rated support stands before using this jack.
2. Only use this jack on hard level surfaces such as concrete or asphalt.
3. DO NOT overload this jack beyond the maximum lifting capacity. Overloading can cause the jack to collapse.
4. DO NOT use this jack to lift or support a vehicle.
5. Keep fingers and hands away from pinch points when lowering.
6. Only transport load with jack platform in the lowered position.
7. Center the load on the jack for stability and use safety chain to secure load.

If you need help with the Model H8089, call our Technical Support line at: (570) 546-9663.

H8089 Parts Breakdown and List



REF	PART #	DESCRIPTION
1	PH8089001	CHAIN
2	PH8089002	GUIDE PLATE
3	PH8089003	CHAIN HOOK
4	PB32M	HEX BOLT M10-1.5 X 25
5	PW04M	FLAT WASHER 10MM
6	PH8089006	GUIDE PLATE BASE
7	PN02M	HEX NUT M10-1.5
8	PW03M	FLAT WASHER 6MM
9	PN01M	HEX NUT M6-1
10	PN09M	HEX NUT M12-1.75
11	PLW03M	LOCK WASHER 6MM
12	PH8089012	BASE FRAME
13	PH8089013	RAM CONNECT PLATE
14	PSB61M	CAP SCREW M10-1.5 X 20
15	PW06M	FLAT WASHER 12MM
16	PH8089016	3" SWIVEL CASTER
17	PH8089017	HEX BOLT M16-2 X 225 GRADE 8.8

REF	PART #	DESCRIPTION
18	PLW10M	LOCK WASHER 16MM
19	PN13M	HEX NUT M16-2
20	PW08M	FLAT WASHER 16MM
21	PH8089021	HYDRAULIC PUMP ASSY
22	PH8089022	HEX BOLT M16-2 X 140 GRADE 8.8
23	PB83M	HEX BOLT M6-1 X 16
24	PH8089024	RAM COVER
25	PH8089025	HEX BOLT M14-2 X 65 GRADE 8.8
26	PH8089026	LOCK NUT M14-2
27	PH8089027	LONG CONNECTION BAR
28	PH8089028	HEX BOLT M14-2 X 70
29	PW10M	FLAT WASHER 14MM
30	PH8089030	LIFTING ARM
31	PH8089031	HEX BOLT M14-2 X 120
32	PH8089032	HEX BOLT M14-2 X 130
33	PH8089033	MACHINE ID LABEL

⚠️ WARNING

The safety label warns about hazards and ways to prevent injury. The owner of the jack **MUST** maintain the original location and readability of the label. If the label is removed or becomes unreadable, contact Grizzly at (800) 523-4777 or www.grizzly.com to order a new label.