



MODEL SB1249 MILLING MACHINE VISE INSPECTION CARD

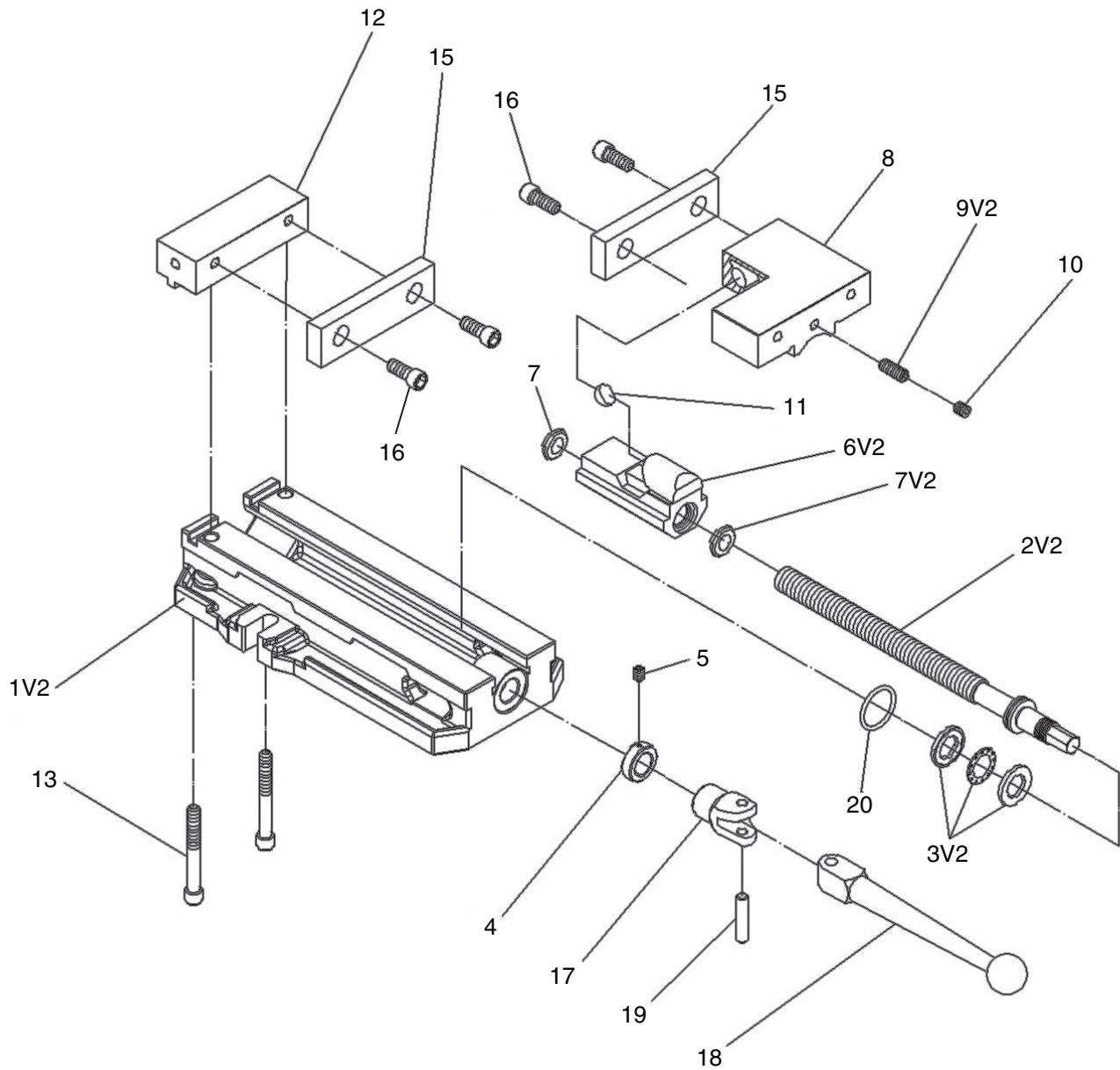
MODEL: _____ SERIAL NO: _____

INSPECTOR: _____ DATE: _____

#	Item	Acceptable Tolerance	Actual Tolerance
1	Body Height	2.5" ± 0.0005 "	
2	Parallelism of Vise Base to Bed	0.0006"	
3	Squareness of Jaws to Vise Bed	0.0005"	

MODEL SB1249

PARTS BREAKDOWN



REF PART #	DESCRIPTION
1V2	PSB1249001V2 VISE BODY V2.06.15
2V2	PSB1249002V2 LEADSCREW 336MM V2.06.15
3V2	PSB1249003V2 THRUST BEARING 51103 V2.06.15
4	PSB1249004 LOCK COLLAR
5	PSB1249005 SET SCREW 5/16-18 X 5/16
6V2	PSB1249006V2 VISE NUT 126MM V2.06.15
7V2	PSB1249007V2 BRUSH V2.06.15
8	PSB1249008 MOVABLE JAW
9V2	PSB1249009V2 ADJUSTMENT SCREW 3/8-16 X 3/4 V2.06.15
10	PSB1249010 SET SCREW 3/8-16 X 3/8

REF PART #	DESCRIPTION
11	PSB1249011 SEMI-SPHERE SEGMENT
12	PSB1249012 FIXED JAW
13	PSB1249013 CAP SCREW 7/16-14 X 2-1/2
15	PSB1249015 JAW PLATE 2PC
16	PSB1249016 CAP SCREW 7/16-14 X 1
17	PSB1249017 HANDLE SOCKET
18	PSB1249018 HANDLE BAR
19	PSB1249019 DOWEL PIN 10 X 42MM
20	PSB1249020 O-RING 23.7 X 3.5 P24