



MODEL SB1250 MILLING MACHINE VISE INSPECTION CARD

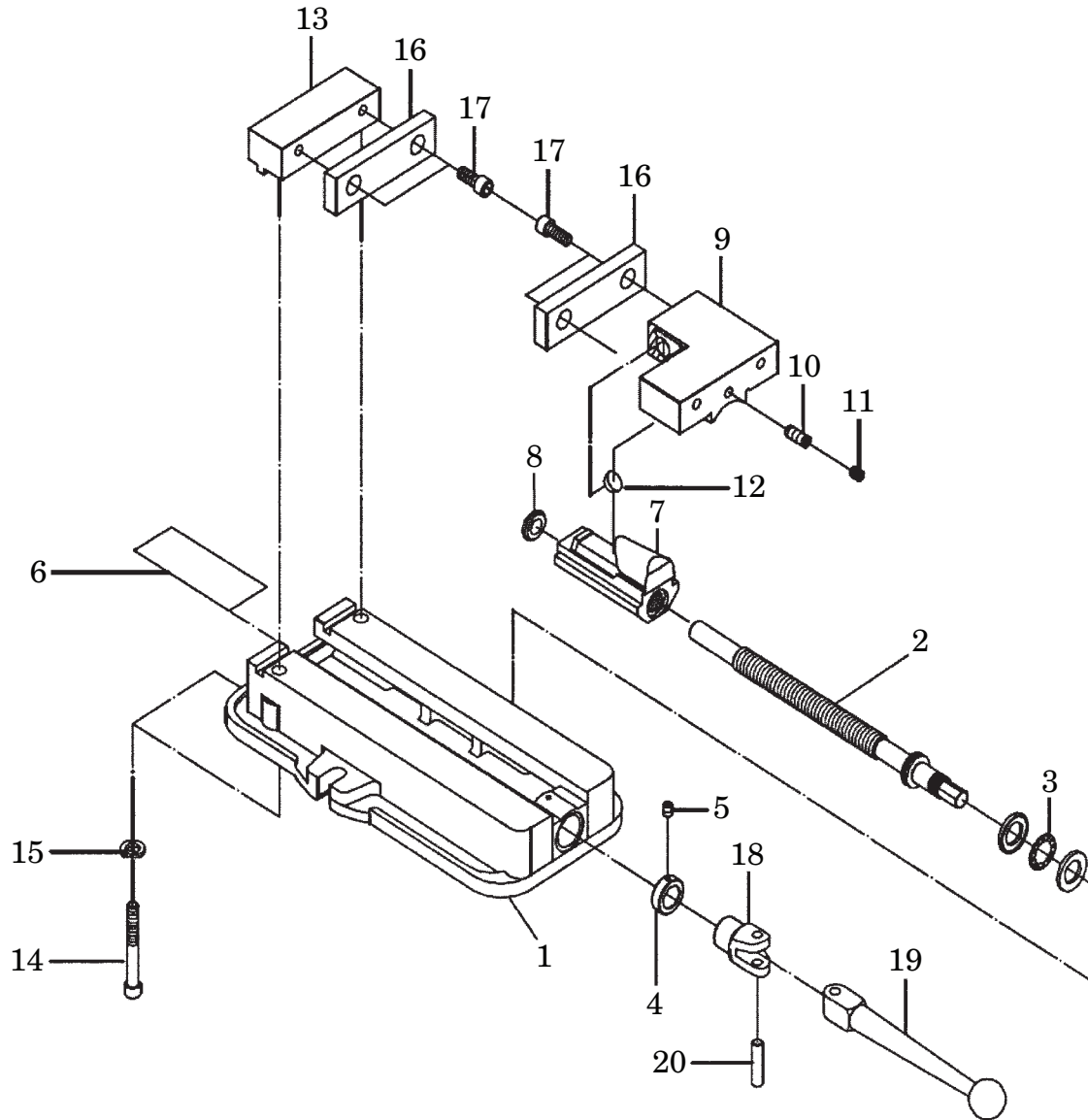
MODEL: _____ **SERIAL NO:** _____

INSPECTOR: _____ **DATE:** _____

#	Item	Acceptable Tolerance	Actual Tolerance
1	Body Height	2.875" ± 0.0005"	
2	Parallelism of Vise Base to Bed	0.0006"	
3	Squareness of Jaws to Vise Bed	0.0005"	

MODEL SB1250

PARTS BREAKDOWN



REF PART #	DESCRIPTION
1	PSB1250001 VISE BODY
2	PSB1250002 LEADSCREW
3	PSB1250003 THRUST BEARING
4	PSB1250004 LOCK COLLAR
5	PSB1250005 SET SCREW
6	PSB1250006 CHIP COVER
7	PSB1250007 VISE NUT
8	PSB1250008 VISE NUT CUP
9	PSB1250009 MOVABLE JAW
10	PSB1250010 ADJUSTMENT SCREW

REF PART #	DESCRIPTION
11	PSB1250011 SET SCREW
12	PSB1250012 SEMI-SPHERE SEGMENT
13	PSB1250013 FIXED JAW
14	PSB1250014 CAP SCREW
15	PSB1250015 FLAT WASHER
16	PSB1250016 JAW PLATE
17	PSB1250017 CAP SCREW
18	PSB1250018 HANDLE SOCKET
19	PSB1250019 HANDLE BAR
20	PSB1250020 PIN