



MODEL T10063/T10064 HIGH PRECISION MILLING VISE INSTRUCTIONS

For questions or help with this product contact Tech Support at (570) 546-9663 or techsupport@grizzly.com

Operation

The removable hand crank of the Model T10063 and T10064 drives a 2:1 down-thrust mechanism, delivering over three tons of clamping pressure to the workpiece. To use the vise, crank open the jaws to an area slightly larger than that of your workpiece. Use the crank to clamp the vise jaws onto the workpiece until secure.

Maintenance

Keep all unpainted machined surfaces rust-free with regular applications of products like G96® Gun Treatment, SLIPIT®, or Boeshield® T-9.



Figure 1. T10064 High Precision Milling Vise.

!WARNING

This vise is very heavy! Get another person to help you or use a hoist when lifting or placing the vise. Wear heavy-duty leather boots for foot and toe protection, and keep hands and fingers away from all pinch points. Ignoring this warning can lead to a severe crushing injury!



Specifications

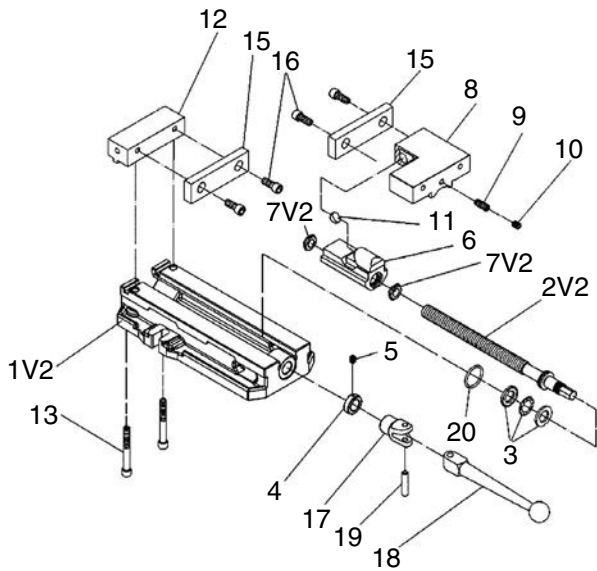
T10063:

Length.....	14 1/4"
Width	6 17/32"
Height	3 3/8"
Jaw Opening	6"
Jaw Width.....	4"
Bed Height.....	2 1/4"
Maximum Pressure	6,744 lbs.
Limit Pressure.....	7,418 lbs.
Mechanism "Semi-Sphere Segment".....	Yes
Down-Thrust Mechanism Ratio	2:1
Flame-Hardened Vise Bed.....	HRC 45°
Vise Body	Ductile Iron FCD60
Vise Tensile Strength	80,000 PSI.
Meets or Exceeds JIS Grade 1 Standards....	Yes
Weight	40 lbs.
Chip Cover Included.....	No

T10064:

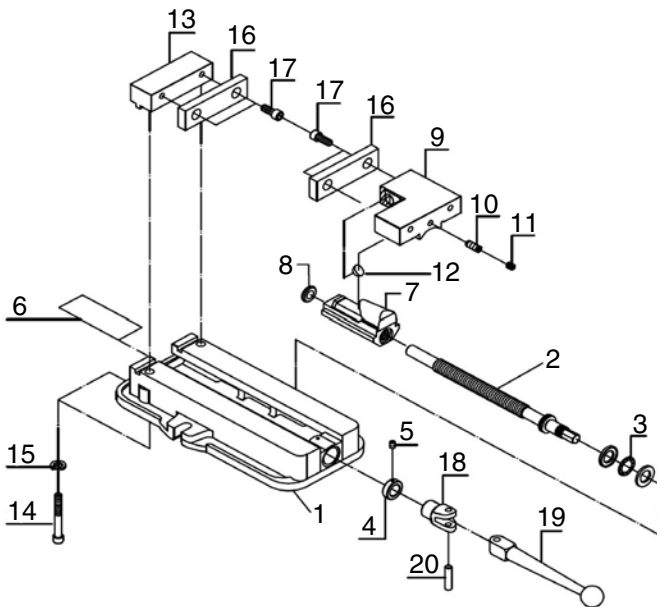
Length.....	18 7/8"
Width	8 3/4"
Height	4 3/8"
Jaw Opening	8 13/16"
Jaw Width.....	6"
Bed Height.....	2 7/8"
Maximum Pressure	7,418 lbs.
Limit Pressure.....	7,868 lbs.
Mechanism "Semi-Sphere Segment".....	Yes
Down-Thrust Mechanism Ratio	2:1
Flame-Hardened Vise Bed.....	HRC 45°
Vise Body	Ductile Iron FCD60
Vise Tensile Strength	80,000 PSI.
Meets or Exceeds JIS Grade 1 Standards....	Yes
Weight	80 lbs.
Chip Cover Included.....	Yes

T10063 Parts Breakdown and List



REF	PART #	DESCRIPTION
1V2	PT10063001V2	WISE BASE V2.06.14
2V2	PT10063002V2	WISE LEADSCREW 364MM V2.06.14
3	PT10063003	THRUST BEARING 17 X 36MM
4	PT10063004	COLLAR
5	PT10063005	SET SCREW 5/16-18 X 5/16
6	PT10063006	WISE LEADSCREW NUT
7V2	PT10063007V2	LEADSCREW BRUSH V2.06.14
8	PT10063008	MOVABLE JAW
9	PT10063009	SET SCREW 3/8-16 X 1
10	PT10063010	SET SCREW 3/8-16 X 3/8
11	PT10063011	WOODRUFF KEY 16MM
12	PT10063012	FIXED JAW
13	PT10063013	CAP SCREW 3/8-16 X 2-1/4
15	PT10063015	JAW PLATE
16	PT10063016	CAP SCREW 3/8-16 X 1
17	PT10063017	HANDLE YOKE
18	PT10063018	HANDLE BAR
19	PT10063019	SOLID PIN 10 X 41MM
20	PT10063020	O-RING 23.7 X 3.5 P24

T10064 Parts Breakdown and List



REF	PART #	DESCRIPTION
1	PT10064001	WISE BASE
2	PT10064002	WISE LEADSCREW
3	PT10064003	THRUST BEARING 51105
4	PT10064004	COLLAR
5	PT10064005	SET SCREW 5/16-18 X 5/16
6	PT10064006	CHIP COVER
7	PT10064007	WISE LEADSCREW NUT
8	PT10064008	LEADSCREW BRUSH
9	PT10064009	MOVABLE JAW
10	PT10064010	SET SCREW 1/2-13 X 1-1/4
11	PT10064011	SET SCREW 1/2-13 X 1/2
12	PT10064012	WOODRUFF KEY 22MM
13	PT10064013	FIXED JAW
14	PT10064014	CAP SCREW M14-2 X 75
15	PT10064015	SERRATED SAFETY WASHER 16MM
16	PT10064016	JAW PLATE 2PC
17	PT10064017	CAP SCREW 1/2-13 X 1-1/4
18	PT10064018	HANDLE YOKE
19	PT10064019	HANDLE BAR
20	PT10064020	SOLID PIN 10 X 41MM