



MODEL T10145 5" HYDRAULIC MILLING VISE INSTRUCTIONS

⚠️ WARNING

This vise is very heavy! Get the assistance of a second person or use a hoist when lifting or placing the vise. Wear heavy duty leather boots for foot and toe protection, and keep hands and fingers away from all pinch points. Ignoring this warning can lead to a severe crushing injury or finger amputation!



Specifications

Length.....	27 ³ / ₈ "
Width	7 ¹ / ₂ "
Height	(w/swivel base = 6 ⁷ / ₁₆ ") 5"
Jaw Opening	8 ¹¹ / ₁₆ "
Jaw Width	5 ¹ / ₈ "
Bed Height.....	2 ¹³ / ₁₆ "
Maximum Pressure	8,100 lbs. (36kN)
Limit Pressure.....	9,200 lbs. (41kN)
Mechanism "Semi-Sphere Segment"	Yes
Down-Thrust Mechanism Ratio	2:1
Clamping Pressure Horizontal.....	2 kg
Clamping Pressure Downward.....	1 kg
Rapid Clamping Feature.....	3-positions
Flame Hardened Vise Bed	HRC 45°
Vise Body	Ductile Iron FCD60
Vise Tensile Strength	80,000 PSI.
Meets or Exceeds JIS Grade 1 Standards....	Yes
Weight	79 lbs.

If you need help with your new item, call our Tech Support at: (570) 546-9663.

Operation

When lifting the vise, use the four lifting locations shown in **Figure 1** whenever possible.

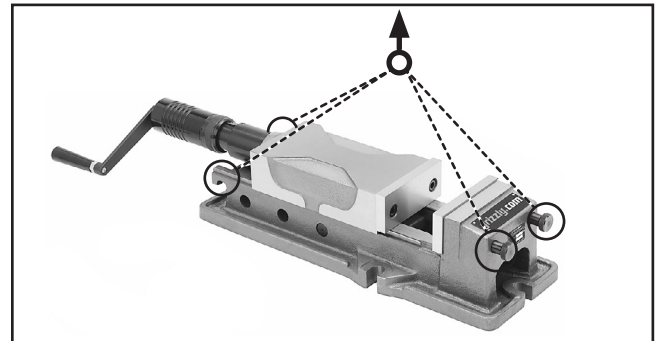


Figure 1. Model T10145.

The removable hand crank drives a closed hydraulic system and a 2:1 down thrust mechanism. These systems can deliver tons of clamping pressure upon the workpiece. The slide of the vise is equipped with three holes and one removable side pin (**Figure 2**) for slide and quick jaw positioning.

To use the vise, pull the side pin out, insert the workpiece between the jaws, move the top slide close to the workpiece, and insert the pin in the nearest hole. Then use the crank handle to clamp the workpiece.

Maintenance

The hydraulic system is factory sealed and requires no maintenance. Keep all unpainted machined surfaces rust-free with regular applications of products like G96® Gun Treatment, SLIPIT®, or Boeshield® T-9. Periodically lubricate the ball oiler (**Figure 2**) located at the top of the vise with a high-quality machine oil.

COPYRIGHT © JANUARY, 2009 BY GRIZZLY INDUSTRIAL, INC.

WARNING: NO PORTION OF THIS MANUAL MAY BE REPRODUCED IN ANY SHAPE OR FORM WITHOUT THE WRITTEN APPROVAL OF GRIZZLY INDUSTRIAL, INC.

#CR11494 PRINTED IN TAIWAN

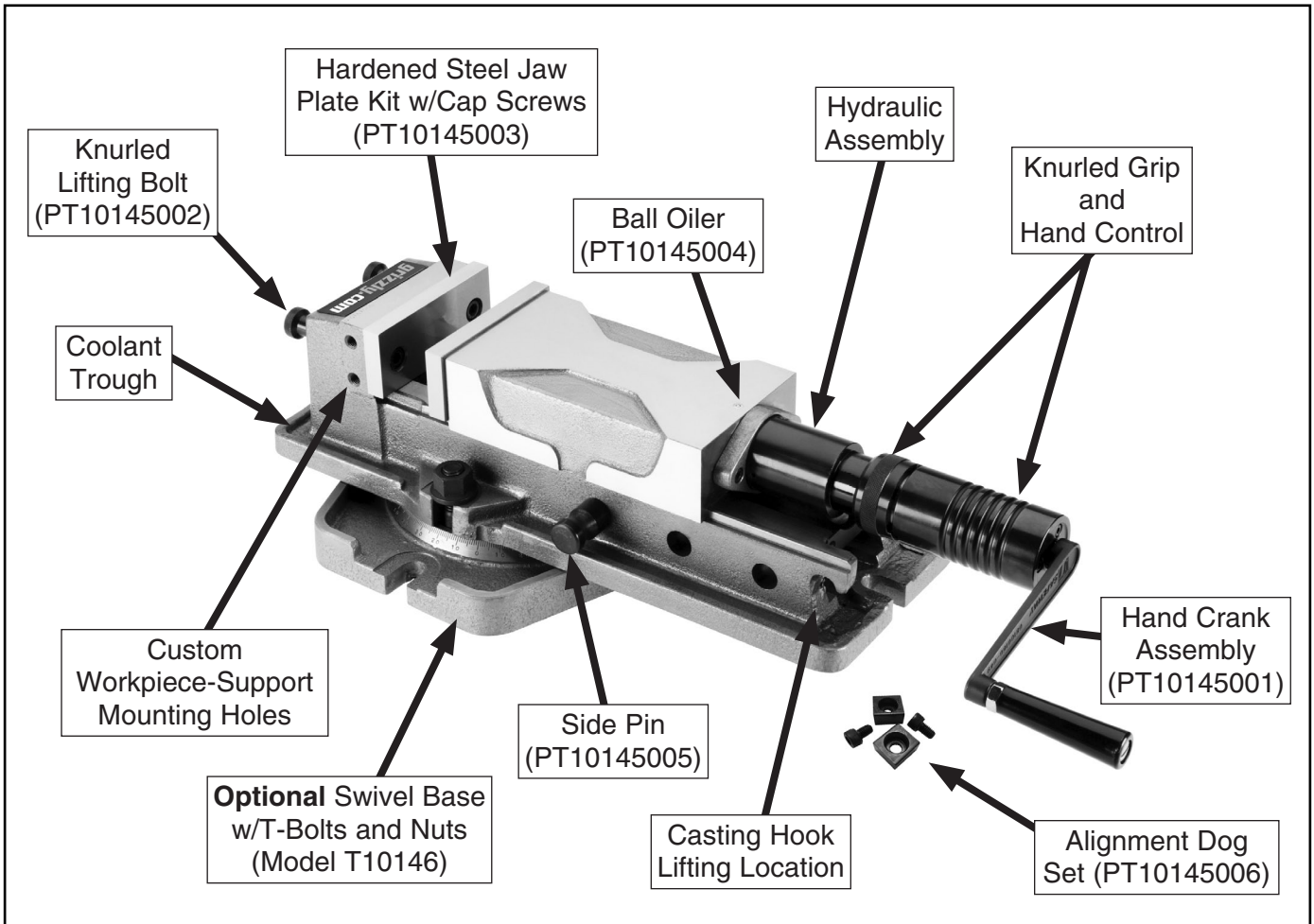


Figure 2. Model T10145 Inventory, parts, and feature.

Note: Part numbers are indicated in parentheses.

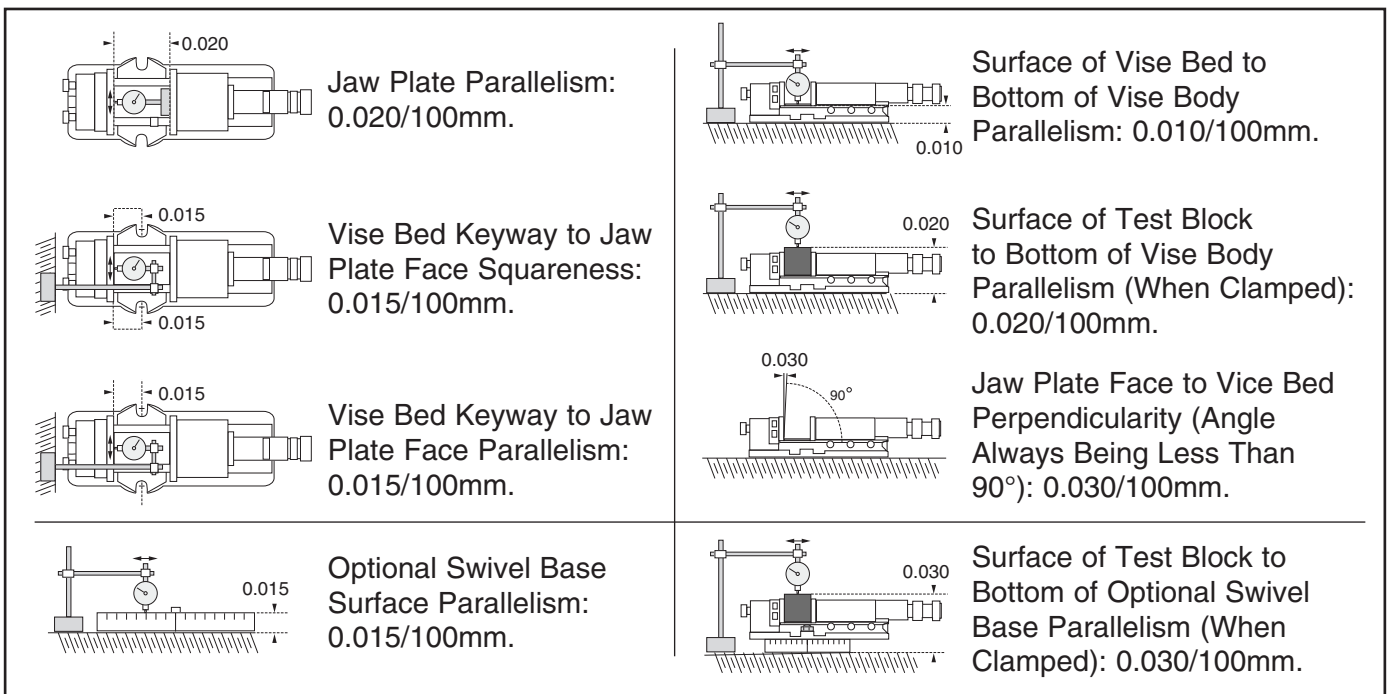


Figure 3. Model T10145 vise standards.

Note: All given dimensions meet or exceed JIS Grade 1 Standards.