



MODEL T10146 SWIVEL BASE INSTRUCTIONS

⚠ WARNING

Your vise and swivel base are heavy! Get the assistance of a second person or use a hoist when lifting the vise and installing the swivel base. Wear heavy duty leather boots for foot and toe protection, and keep hands and fingers away from all pinch points. Ignoring this warning can lead to a severe crushing injury or finger amputation!



Specifications

Length.....	11 ³ / ₈ "
Width	10 ¹ / ₄ "
Overall Height (Pin Tip to Base Underside) ..	1 ⁷ / ₈ "
T-Bolt Bolt Pattern (On Center)	6 ⁵ / ₁₆ "
Alignment Dogs Bolt Pattern (On Center)	8 ¹ / ₄ "
Base to Table Bolt Pattern (On Center).....	10"
Replaceable Spindle Diameter.....	16mm
Surface Parallelism.....	0.015/100mm
T-Bolts and Nuts.....	Included
T-Bolt Size	⁵ / ₈ "-11 x 2 ³ / ₈ "
T-Bolt Nut Size	⁵ / ₈ "-11
Scale	Marked 0°-360°
Scale Incrimination	1°
Swivel Base Body.....	Cast Iron FC 30
Weight	20 lbs.

If you need help with your new item, call our Tech Support at: (570) 546-9663.

Installation

For easy and safe base installation, attach lifting straps or chains to the vise at the four locations shown in **Figure 1**, and using a suitable lifting apparatus, raise the vise.

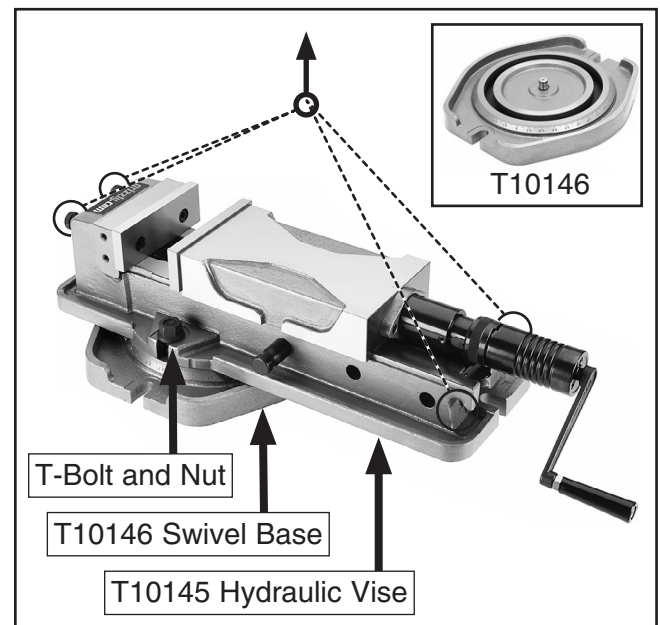


Figure 1. Model T10145 vise installed on the Model T10146 base.

Block the vise for safety, and lubricate the base and vise mating surfaces with white lithium grease. Secure the base and vise together with the two T-bolts and nuts.

Maintenance

Depending on type of cutting fluids used, operating environment, and frequency of use, periodically remove the swivel base from the vise. Clean all mating surfaces, the spindle, and the bore with mineral spirits. Then, re-lubricate all cleaned surfaces with white lithium grease and reassemble.

COPYRIGHT © JANUARY, 2009 BY GRIZZLY INDUSTRIAL, INC.

WARNING: NO PORTION OF THIS MANUAL MAY BE REPRODUCED IN ANY SHAPE OR FORM WITHOUT THE WRITTEN APPROVAL OF GRIZZLY INDUSTRIAL, INC.

#CR11495 PRINTED IN TAIWAN

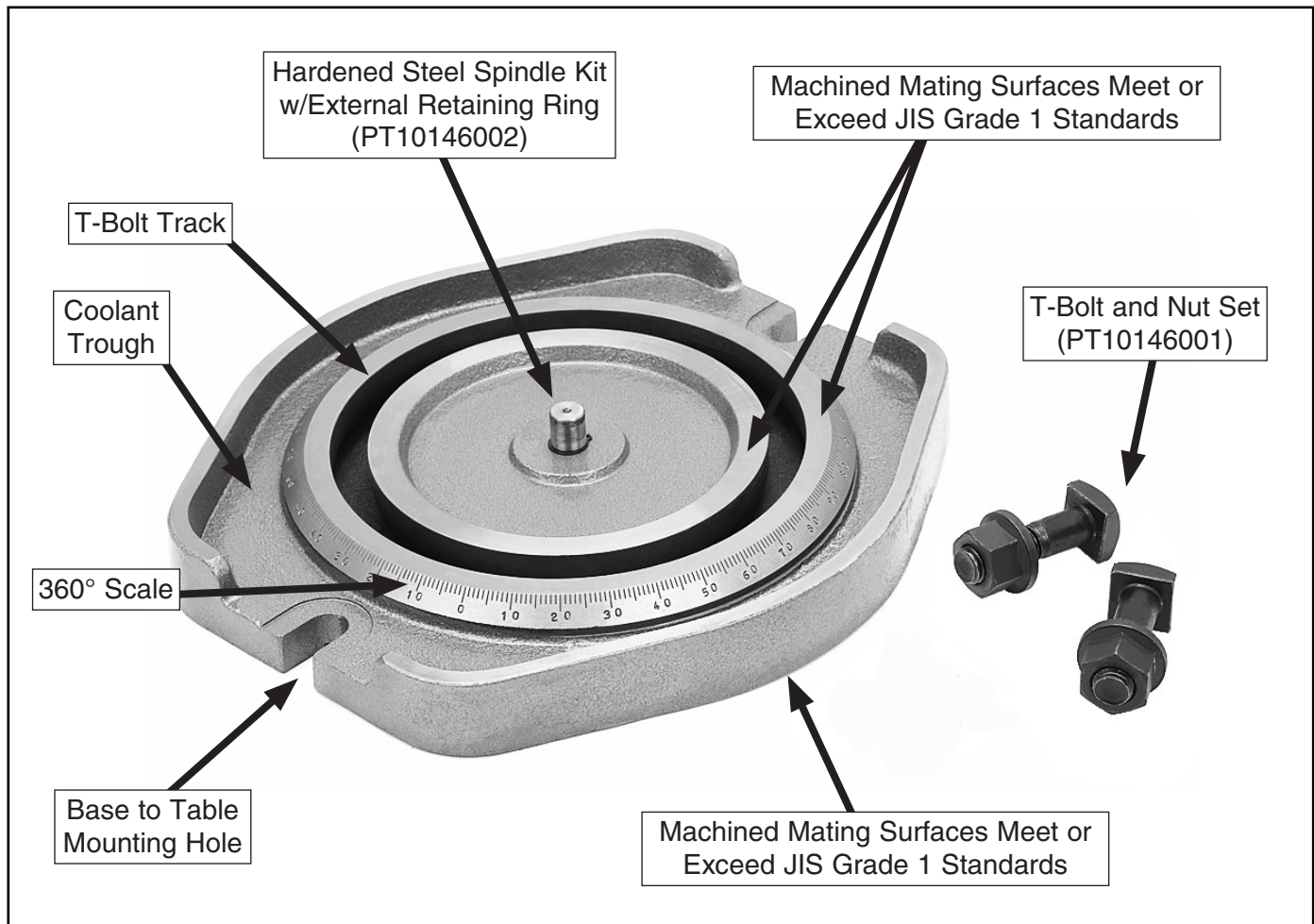


Figure 2. Model T10146 Inventory, parts, and features.
Note: Part numbers are indicated in parentheses.

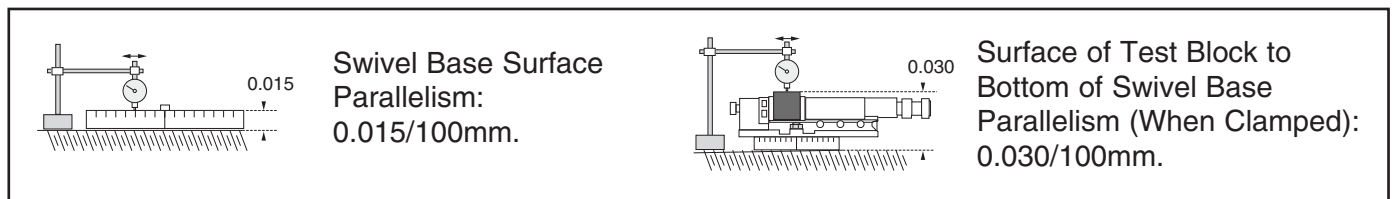


Figure 3. Model T10146 swivel base standards.
Note: All given dimensions meet or exceed JIS Grade 1 Standards.