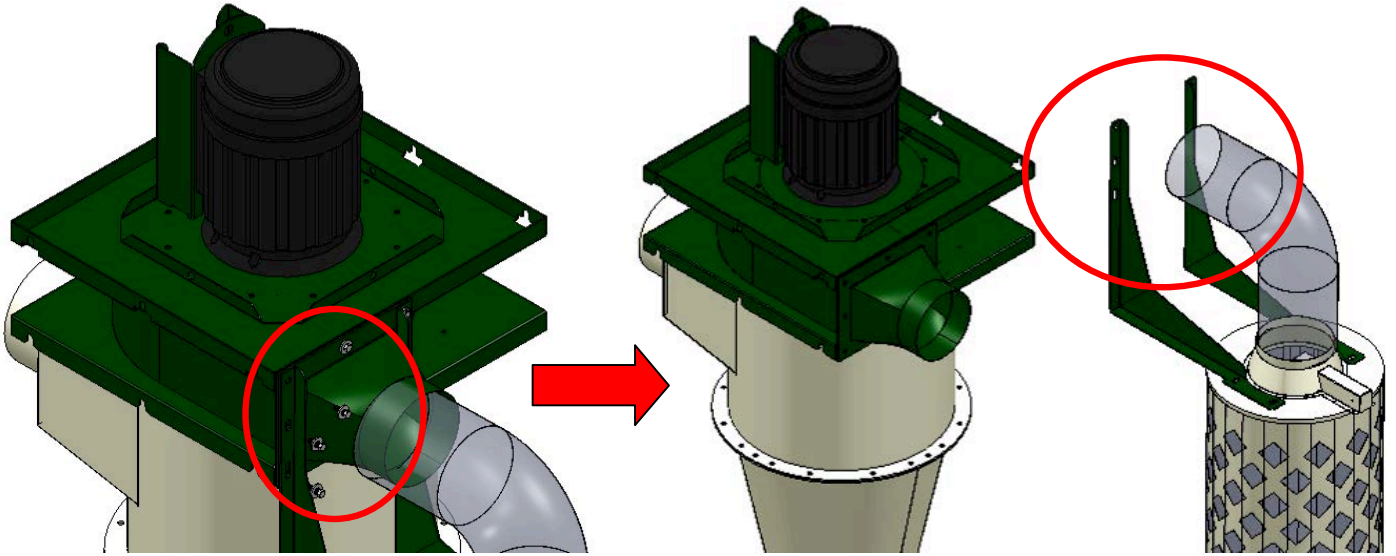


Model T10872

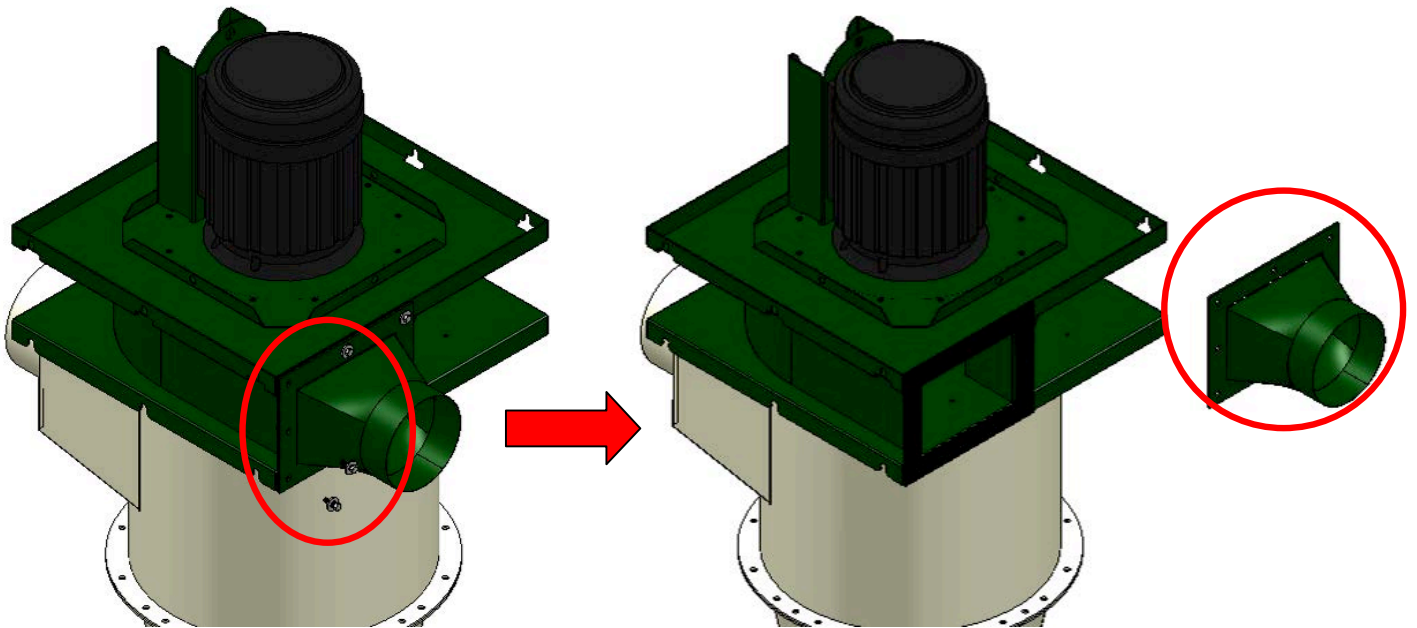
G0440 Wall Mount Type Cartridge Filter Replacement

with HEPA Filter Upgrade Kit



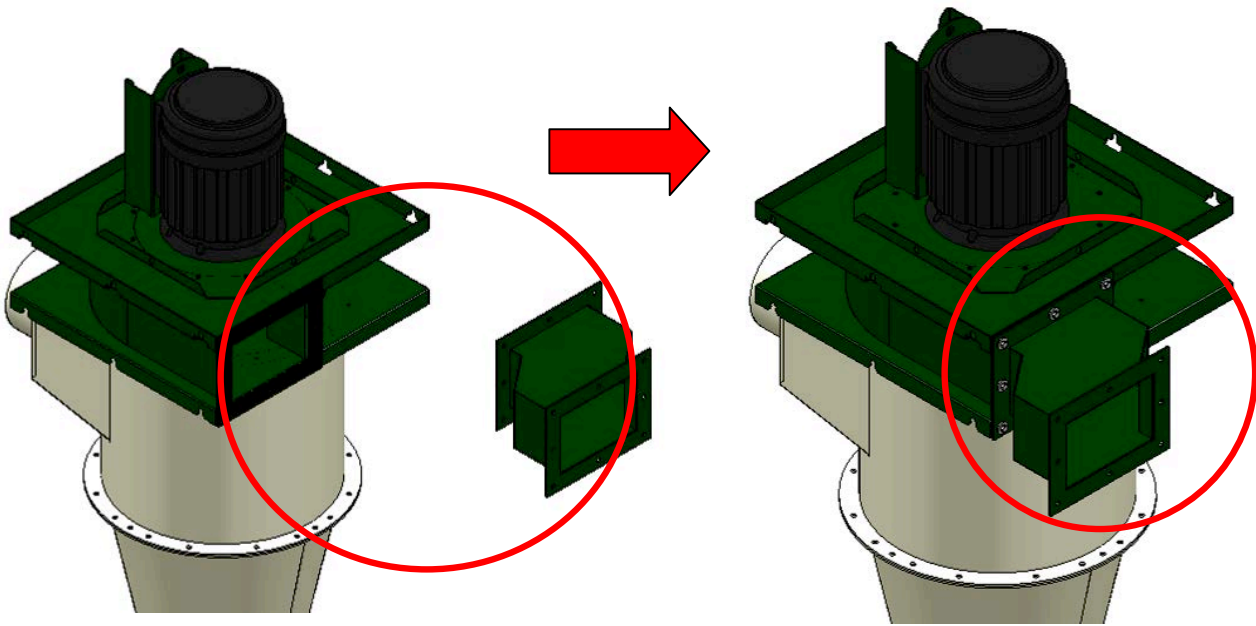
Step One:

Remove the filter L-braces from the blower housing, as shown above, by loosening and removing (10) 5/16" x 1" hex bolts, (20) 5/16" flat washers, and (10) 5/16" nuts. Remove and set the cartridge filter aside.



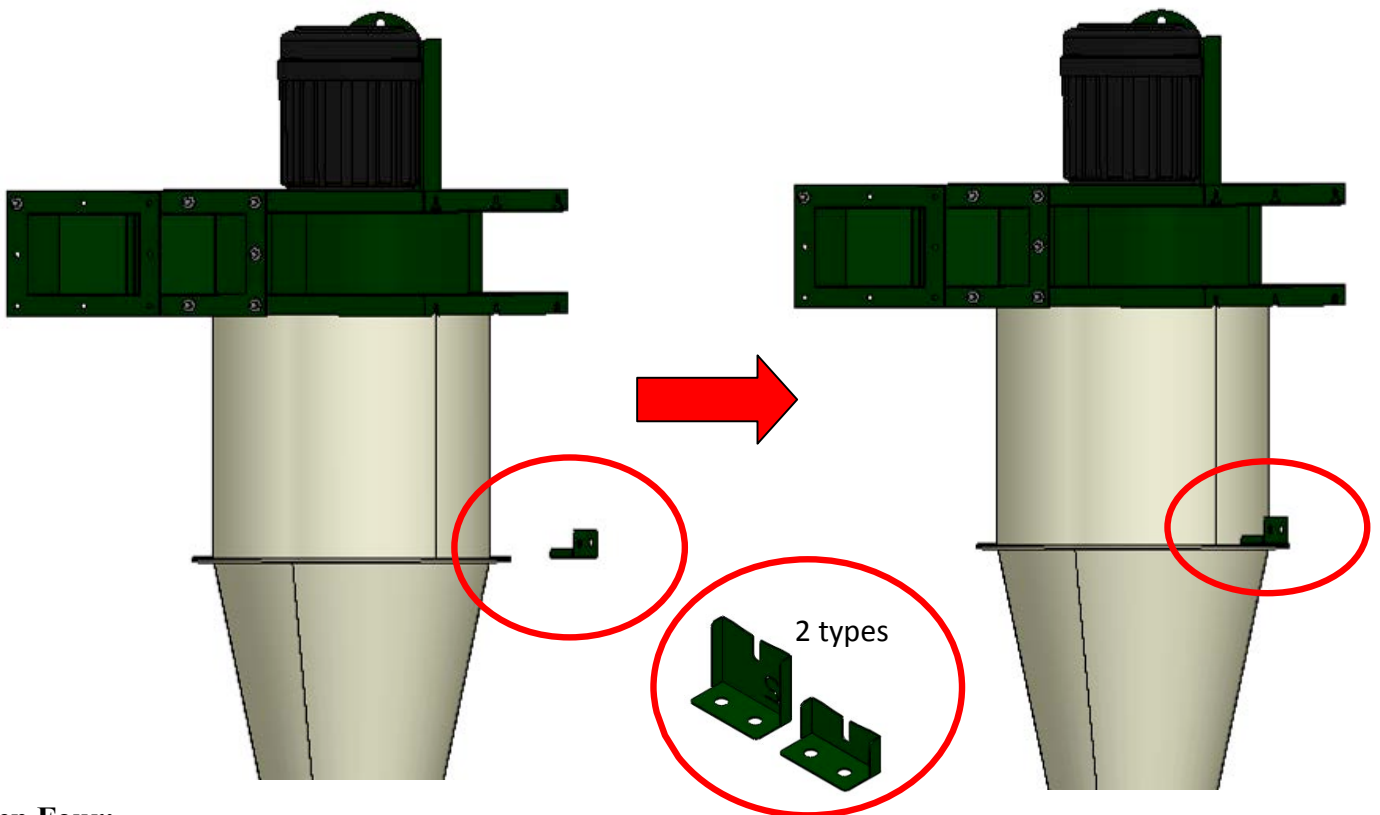
Step Two:

Remove the outlet port from the blower housing by loosening and removing (8) 5/16" x 1" hex bolts, (16) 5/16" flat washers, and (8) 5/16" hex nuts.



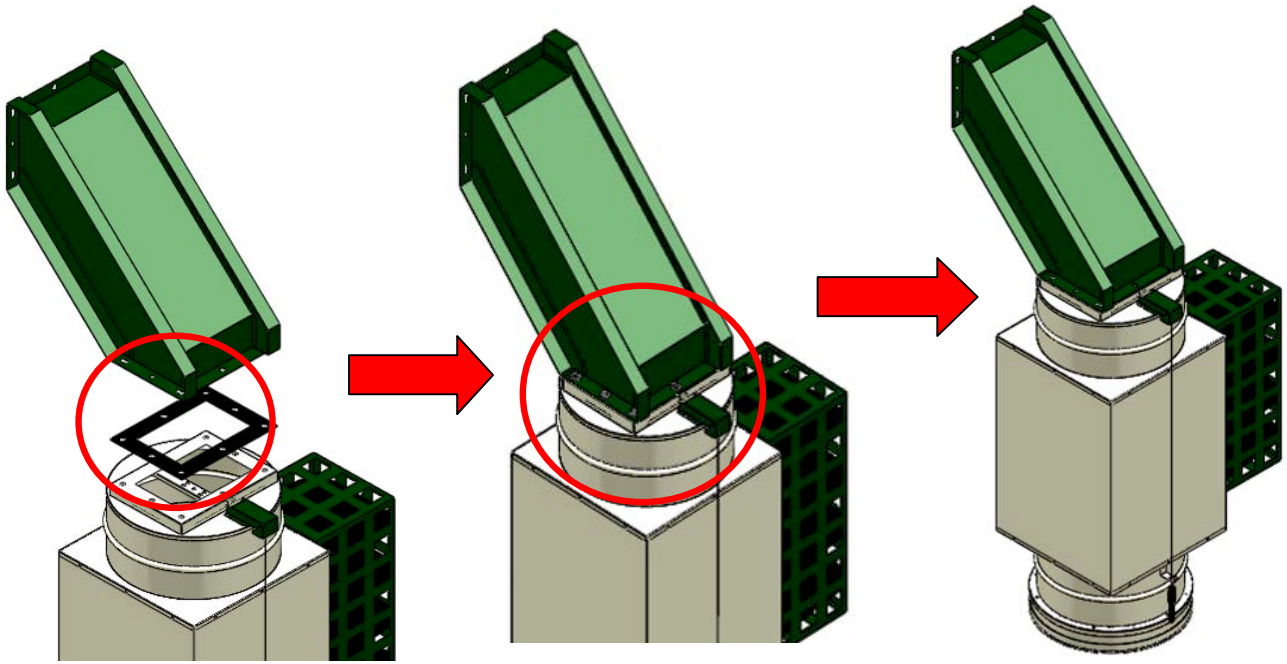
Step Three:

Secure the wall mount adapter to the blower housing with (8) 3/8" x 1" hex bolts, (16) 3/8" flat washers, and (8) 3/8" nuts.



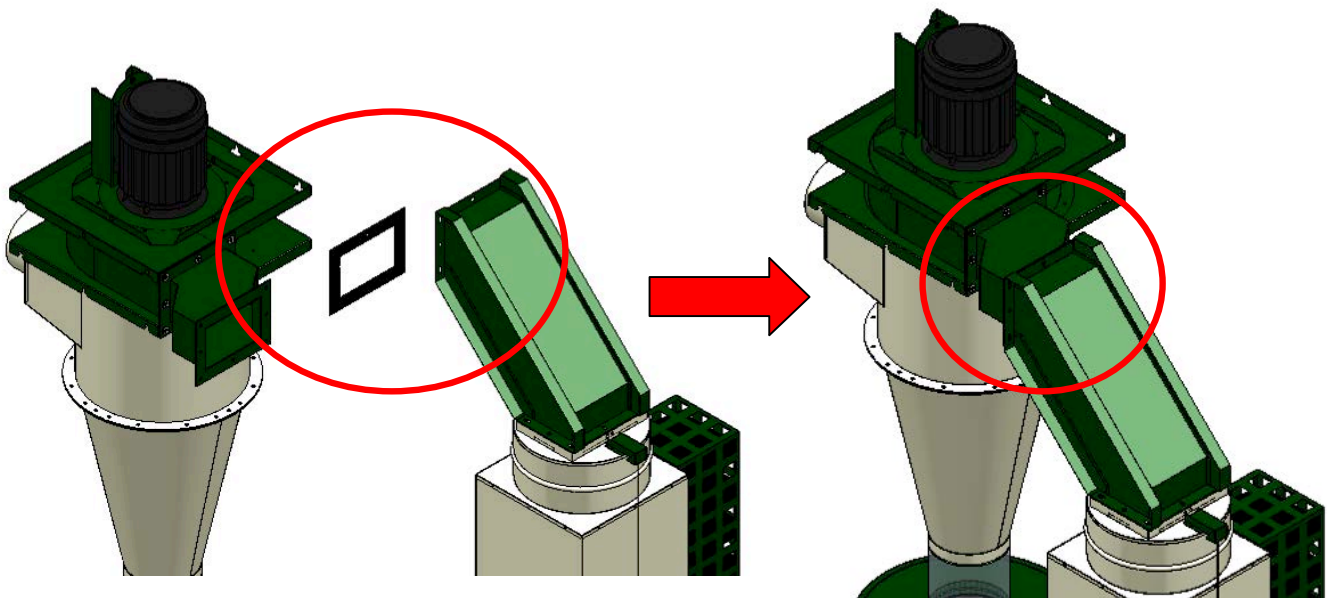
Step Four:

Secure the extended wall-mount bracket to the intake barrel with (1) 5/16" x 1" hex bolt, (2) 5/16" flat washers, and (1) 5/16" nut. NOTE: There are two different types of extended wall-mount brackets with different lengths—use the bracket with the most suitable length for your setup.



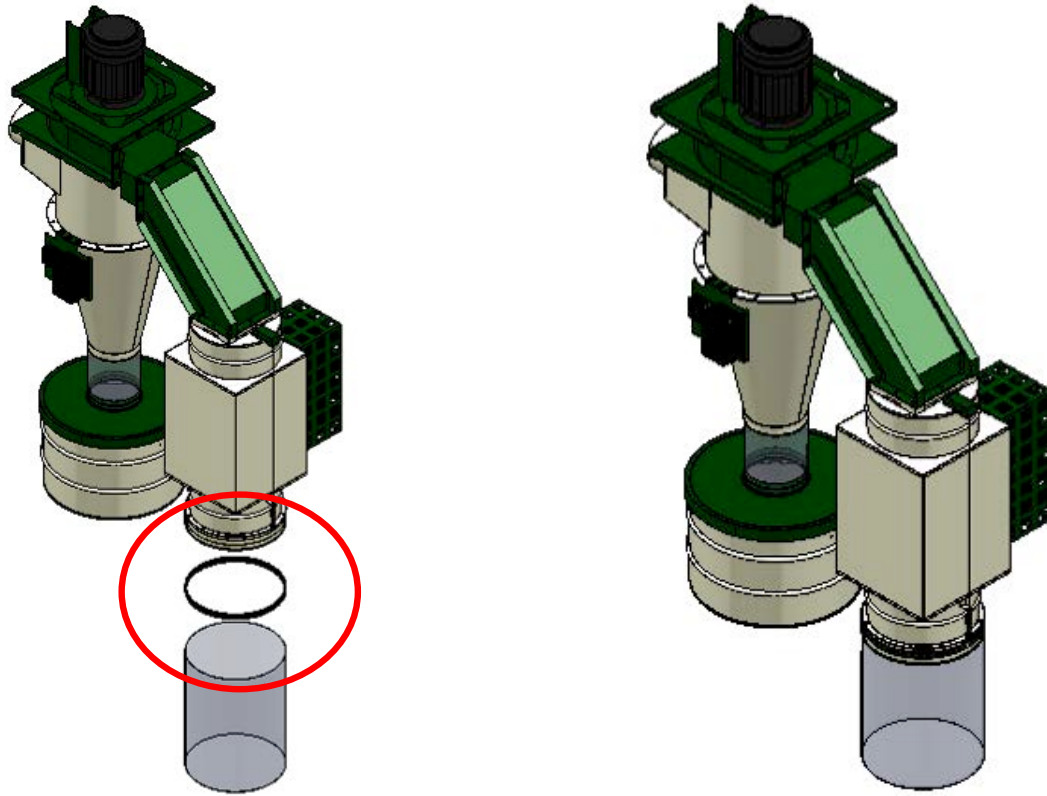
Step Five:

Attach the rubber gasket to the square top of the HEPA filter, as shown above. Attach the filter adapter to the square top of the HEPA filter with (8) 5/16" x 1" hex bolts and 5/16" flat washers. Tighten and secure all bolts.



Step Six:

Attach the rubber gasket to the outlet opening, then attach the filter adapter with the HEPA filter to the blower housing with (8) 3/8" x 1" hex bolts, (16) 3/8" flat washers, and (8) 3/8" hex nuts. Tighten and secure all bolts and nuts.



Step Seven:

Fit the plastic canister collection bag over the bottom of the HEPA canister filter, and clamp in place with the metal bag clamp, as shown above.

UPGRADE COMPLETE!