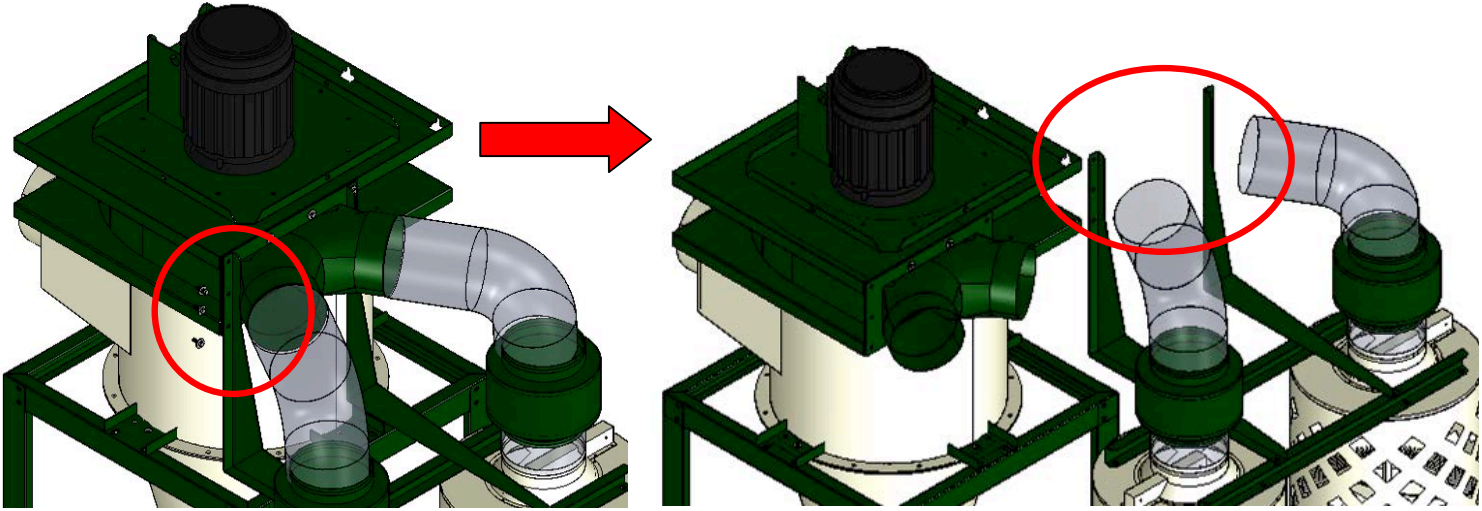


Model T10882

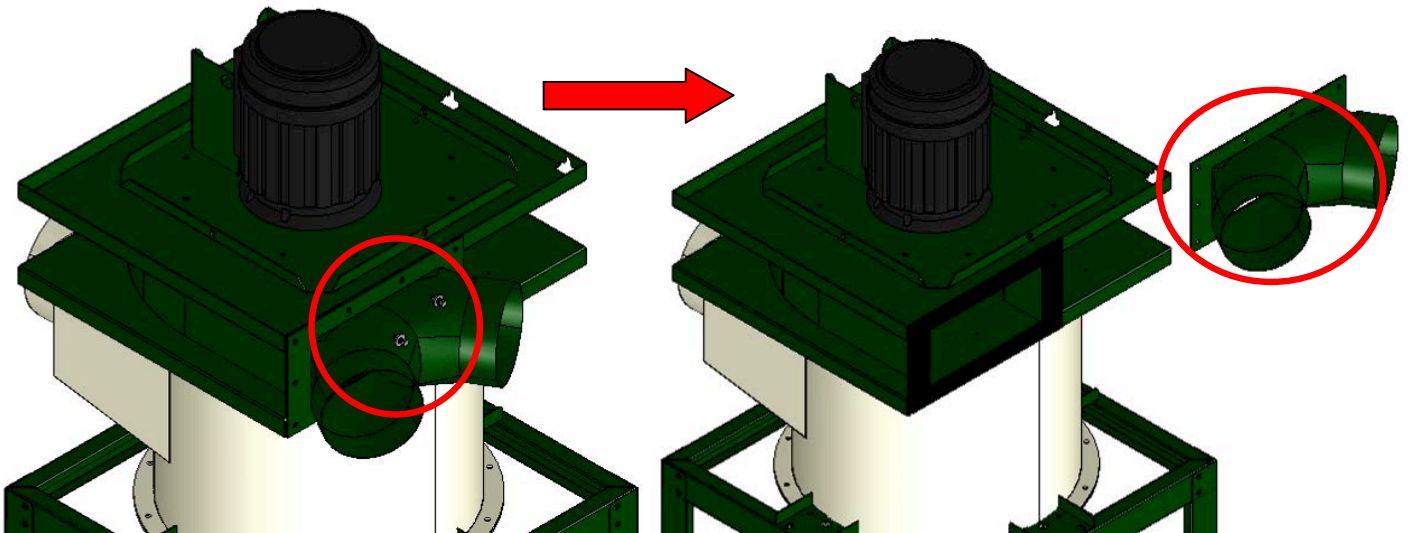
G0637 Cartridge Filter Replacement

with HEPA Filter Upgrade Kit



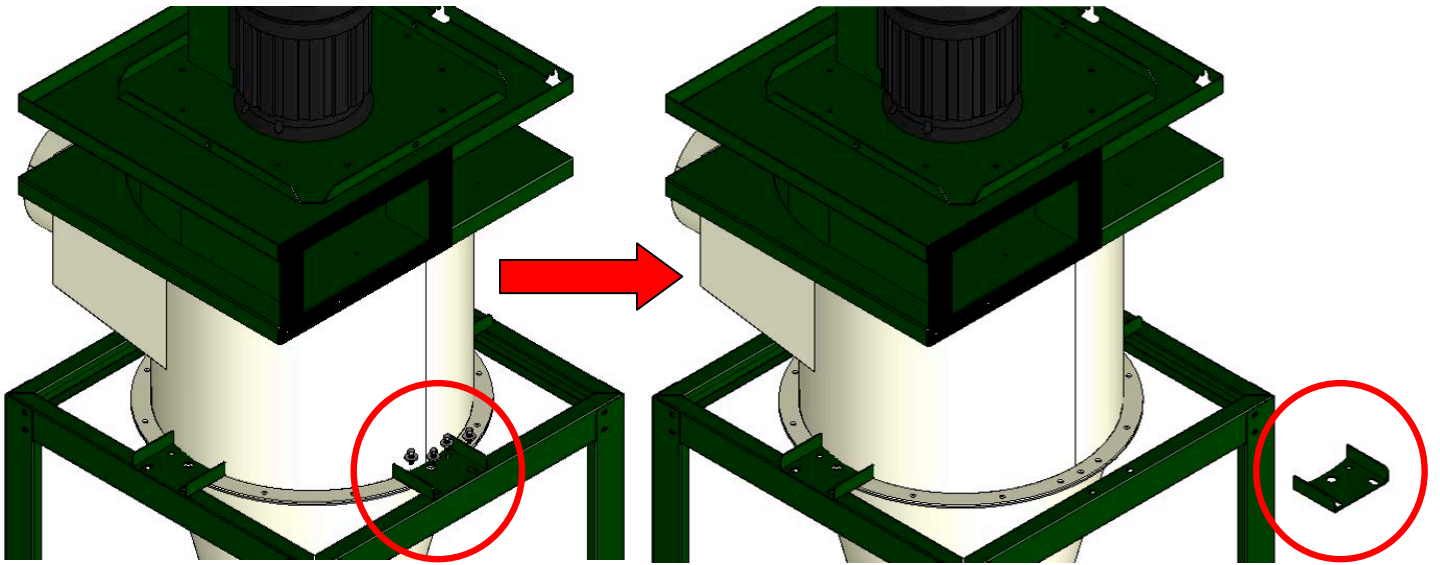
Step One:

Remove the filter L-braces from the blower housing, as shown above, by loosening and removing (6) 5/16" x 1" hex bolts, (12) 5/16" flat washers, and (6) 5/16" hex nuts. Remove and set the cartridge filter aside.



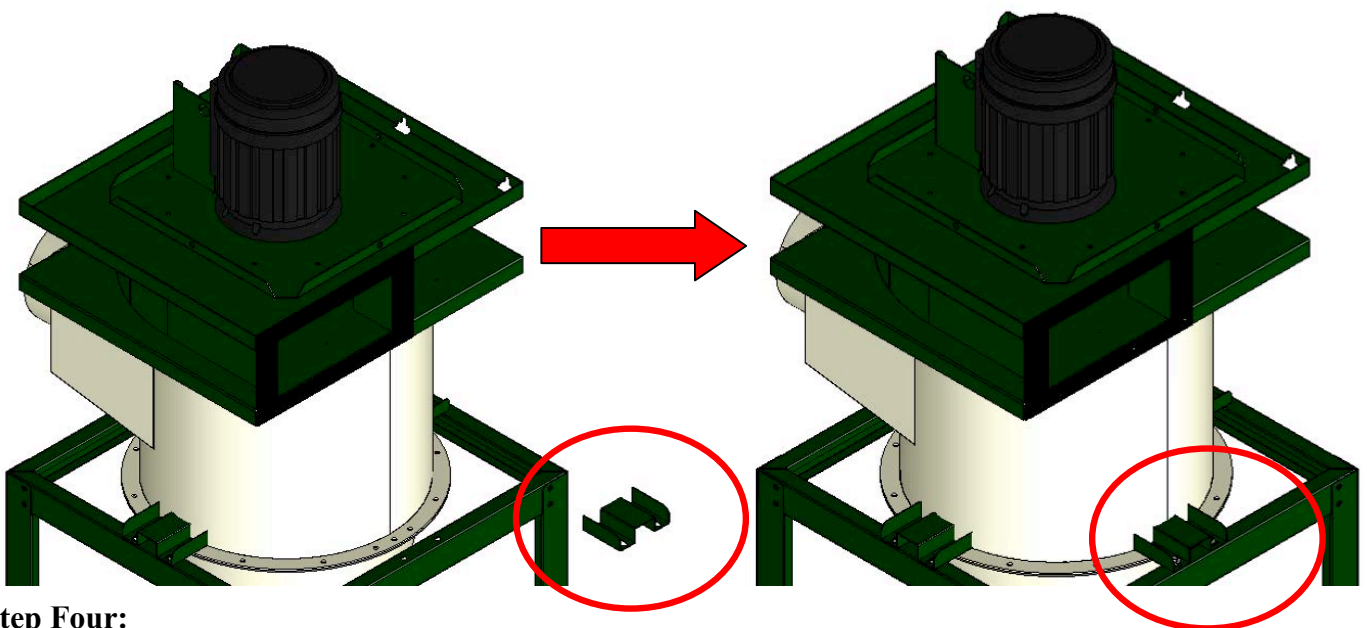
Step Two:

Remove the outlet port from the blower housing by loosening and removing (4) 5/16" x 1" hex bolts, (8) 5/16" flat washers, and (4) 5/16" hex nuts.



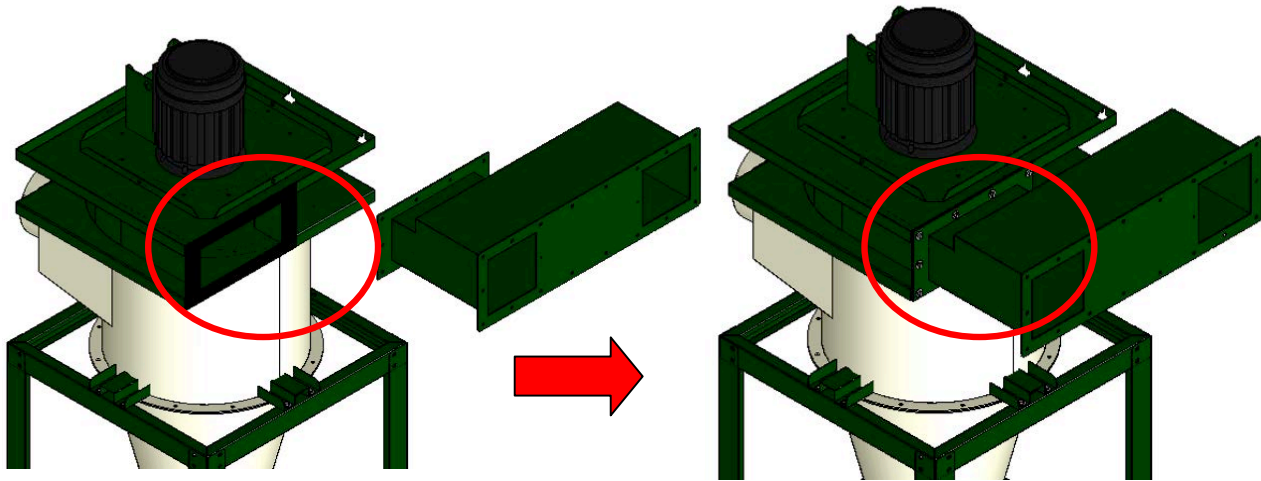
Step Three:

Remove the mounting bracket that secures the intake barrel to the upper leg stand by loosening and removing (8) 3/8" x 1-1/4" hex bolts, (16) 3/8" flat washers, and (8) 3/8" hex nuts. Next, loosen and remove (8) 3/8" x 3/4" hex bolts, (16) 3/8" flat washers, and (8) 3/8" nuts on the leg stand side. NOTE: Replace a single mounting bracket with the new type one at a time. DO NOT remove all old mounting brackets at once.



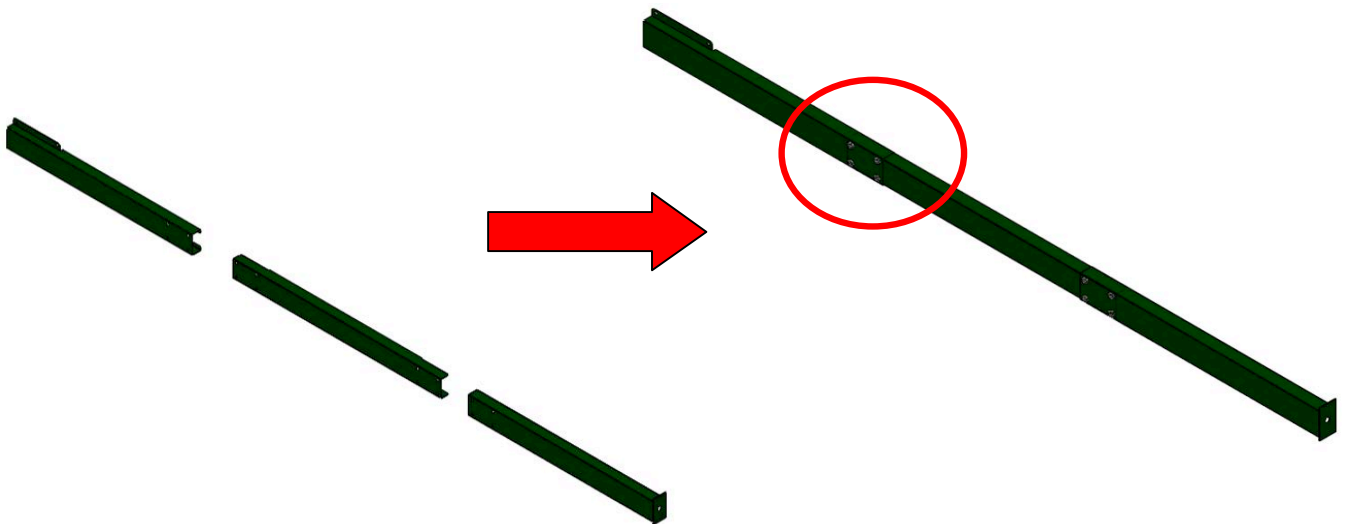
Step Four:

After each mounting bracket has been replaced with the new type, make sure to tighten all the bolts and nuts securely before moving on to the next step.



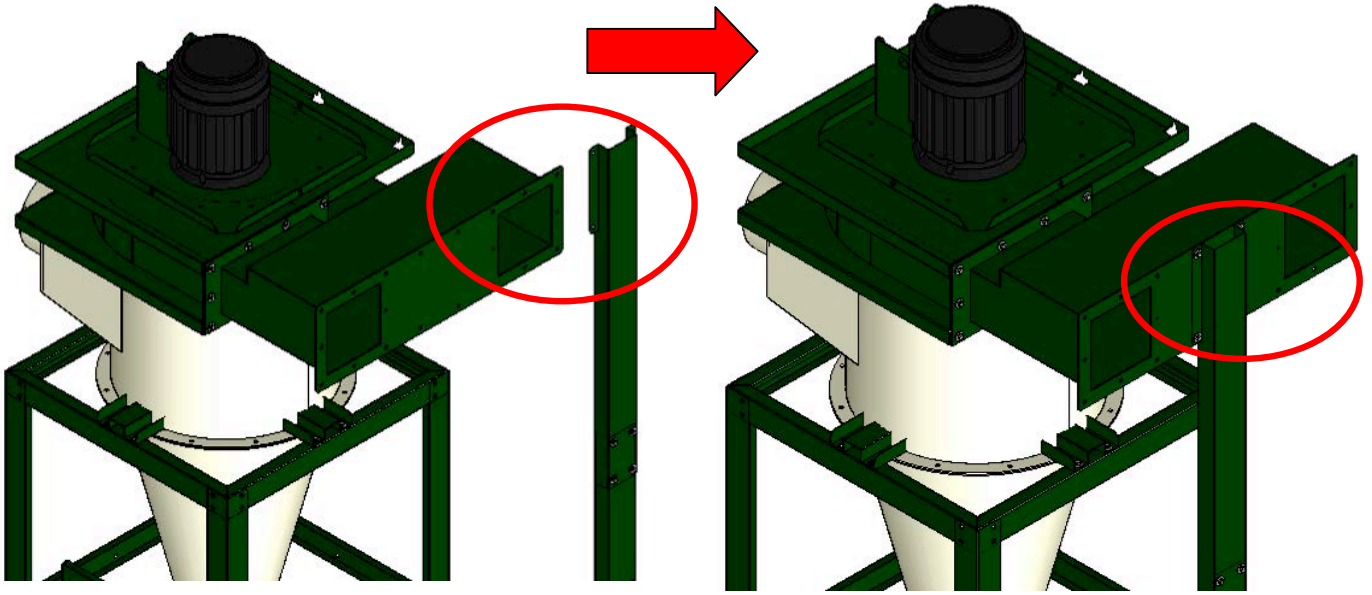
Step Five:

Attach the rubber gasket to the outlet opening on the blower housing, then attach the outlet connector by securing and fastening (10) 3/8" x 1" hex bolts, (20) 3/8" flat washers, and (10) 3/8" nuts.



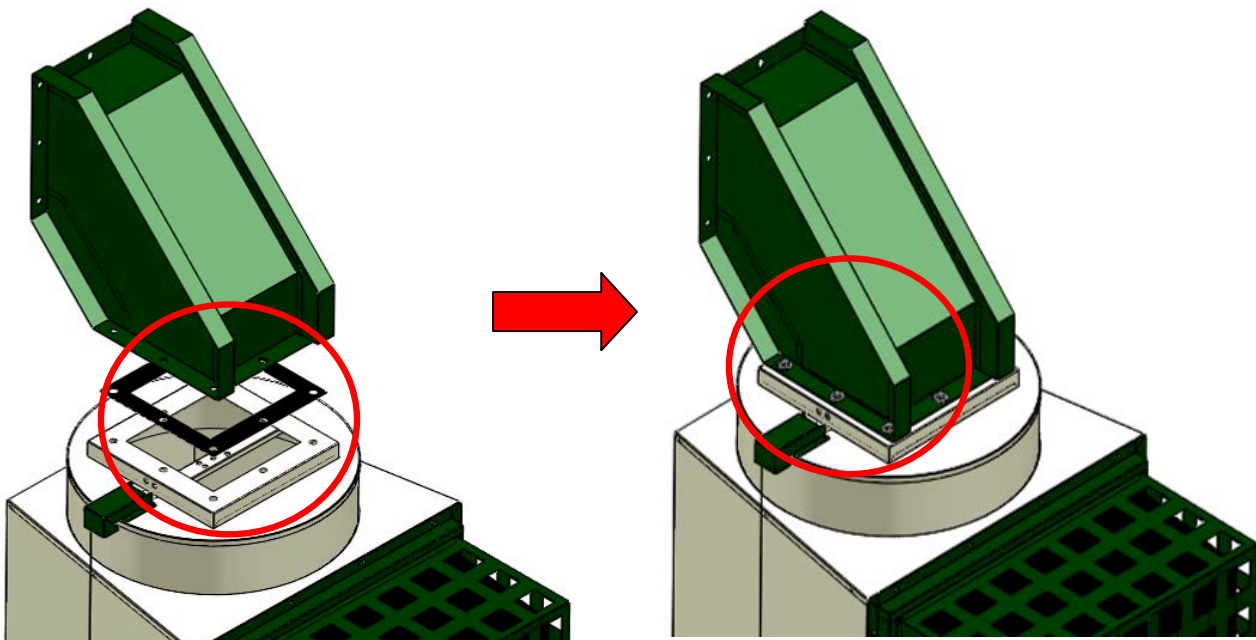
Step Six:

Assemble the HEPA leg stand, which consists of three segments: upper, middle and lower. Secure and fasten using (8) 3/8" x 1" hex bolts, (16) 3/8" flat washers, and (8) 3/8" nuts.



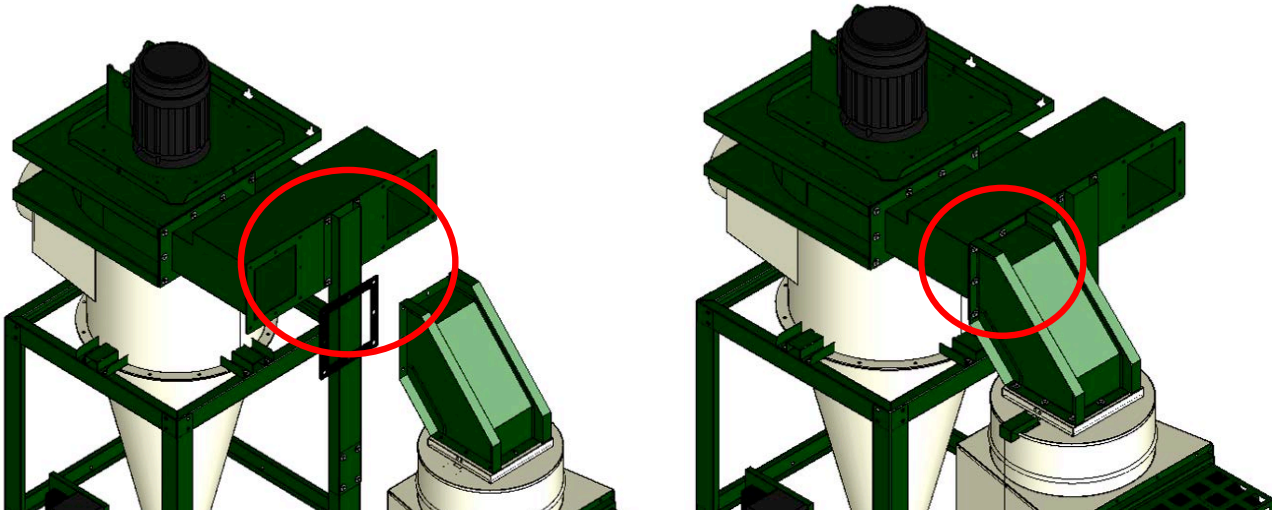
Step Seven:

Attach the HEPA leg stand to the outlet connector, as shown above, by securing and fastening (4) 3/8" x 1" hex bolts, (8) 3/8" flat washers, and (4) 3/8" nuts.



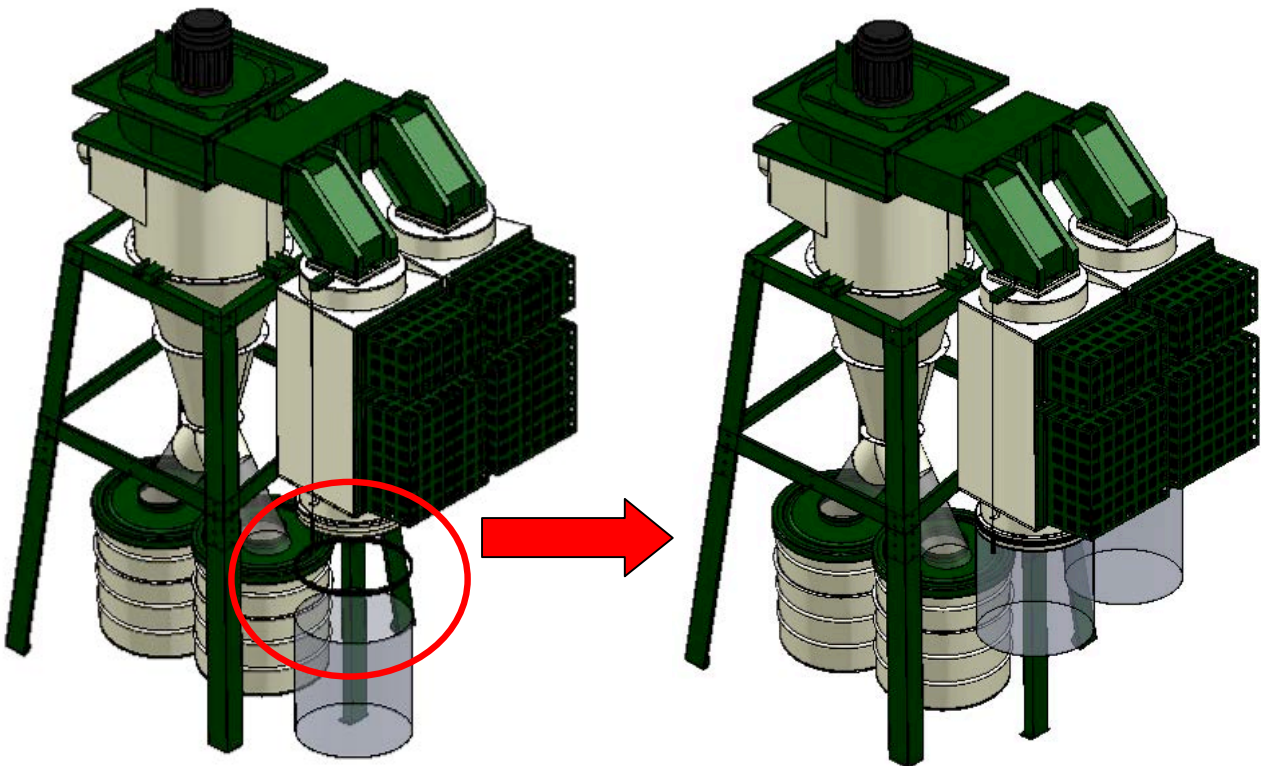
Step Eight:

Attach the rubber gasket to the square top of the HEPA filter, as shown above. Take the filter adapter and attach it to the square top of the HEPA filter with (16) 5/16" x 1" hex bolts and 5/16" flat washers. Tighten and secure all bolts and nuts.



Step Nine:

Attach the rubber gasket to the outlet opening, then attach the filter adapter with the HEPA filter to the blower housing with (16) 3/8" x 1" hex bolts, (30) 3/8" flat washers, and (14) 3/8" nuts. Tighten and secure all bolts and nuts.



Step Ten:

Fit the plastic canister collection bag over the bottom of the HEPA canister filter, and clamp in place with the metal bag clamp, as shown above.

UPGRADE COMPLETE!