



For questions or help with this product contact Tech Support at (570) 546-9663 or techsupport@grizzly.com

MODEL T1235 CORDLESS MINI GLUE GUN INSTRUCTIONS

Introduction

The Model T1235 Cordless Mini Glue Gun is a fast-heating, pistol-grip glue gun that is comfortable and easy to use. It features a detachable cord and docking power base. It can be used for up to five minutes when unplugged.

Specifications

Power Requirement.. 120V, Single-Phase, 60 Hz
 Operating Temperature311°F–365°F
 Time to Maximum Temperature1–2 minutes
 Cord.....5 ft.
 Weight 8 oz.
 Glue Stick Size1/4" (0.28" Mini)

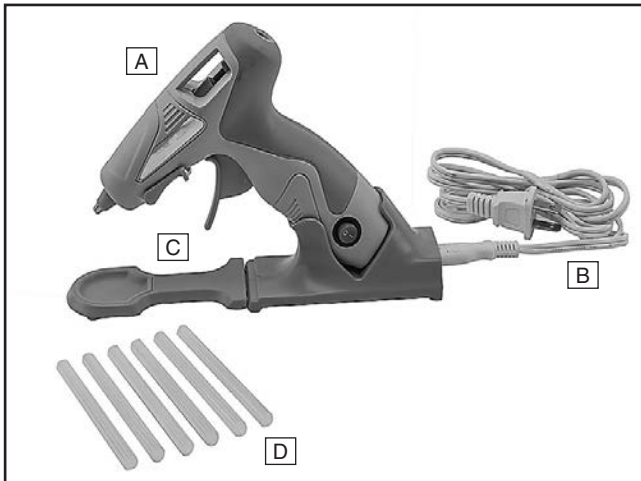


Figure 1. Model T1235 Cordless Mini Glue Gun.

Inventory

Description	Qty
A. Mini Cordless Glue Gun.....	1
B. Power Cord.....	1
C. Docking Power Base.....	1
D. Mini Glue Sticks	6

⚠️WARNING

To reduce risk of serious personal injury:

- Avoid inhaling toxic fumes. Toxic chemicals in some glues can cause respiratory illness when inhaled. To reduce your risk, work in well ventilated area with fan to move air, and wear NIOSH-approved respirator.
- Bandage cuts or sores before gluing. Toxins can be absorbed through cuts, sores, eyes, mouth and nostrils, increasing risk of developing certain diseases. DO NOT eat, drink, or smoke while gluing. Wash your hands with soap and water when finished.
- Wear eye protection, gloves, long pants, and a long sleeve shirt to protect eyes and hands from burns and skin rashes. The glue gun nozzle will reach temperatures up to 365°F. DO NOT touch nozzle until it has completely cooled.
- DO NOT touch glue until it has completely cooled. If hot glue contacts skin, immediately run cold water over affected area. DO NOT attempt to remove glue from skin while hot.
- DO NOT leave glue gun unattended while connected to power or allow nozzle to rest against anything while hot. Tool can ignite nearby explosive or flammable materials. Keep away from these materials. Always keep fire extinguisher on hand.
- Use tool for intended purpose. Never modify, alter, or use tool for a purpose not intended or serious injury or death may result!
- Keep out of reach of children.

COPYRIGHT © AUGUST, 2017 BY GRIZZLY INDUSTRIAL, INC.
 NO PORTION OF THIS MANUAL MAY BE REPRODUCED IN ANY SHAPE
 OR FORM WITHOUT THE WRITTEN APPROVAL OF GRIZZLY INDUSTRIAL, INC.

#ES19035 PRINTED IN CHINA

V1.08.17

Operation

NOTICE

Some materials are heat sensitive and may become damaged either by heated nozzle or hot glue. Test temperature on a scrap piece of material first.

To operate glue gun:

1. Make sure working surface is clear of any combustible materials.
2. Insert cord into glue gun or docking power stand and insert plug into matching 120V power receptacle. Rest glue gun upright using stand or insert it into docking power stand (see **Figure 2**).

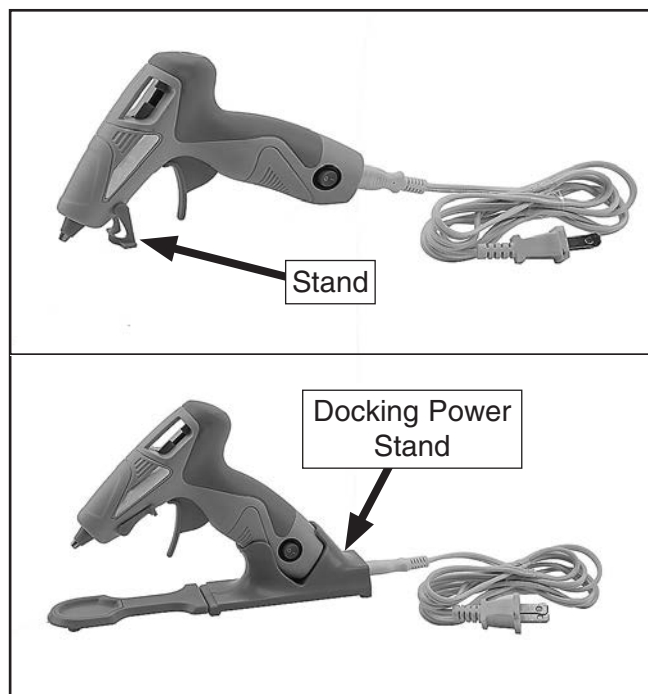


Figure 2. Cord inserted into glue gun or docking power stand.

3. Turn glue gun **ON** with switch located in handle and allow it to heat up for approximately 1–2 minutes.

4. Insert mini glue stick into back of glue gun (see **Figure 3**).

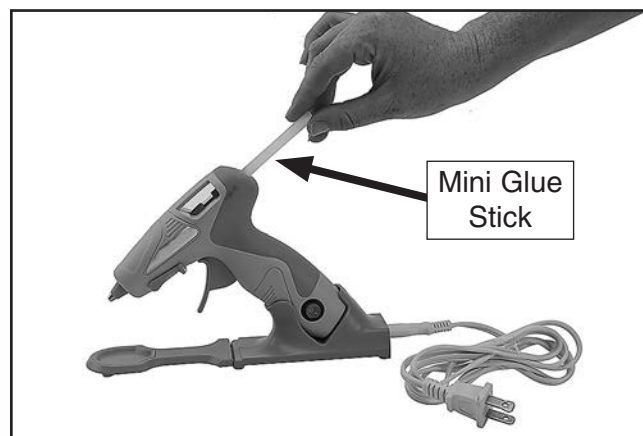


Figure 3. Inserting mini glue stick into glue gun.

5. Once glue gun has fully heated, slowly squeeze trigger until melted material begins to flow from nozzle.

Important: When hot, rest glue gun upright with nozzle facing down to prevent melted glue from escaping chamber and increasing risk of fire or personal injury.

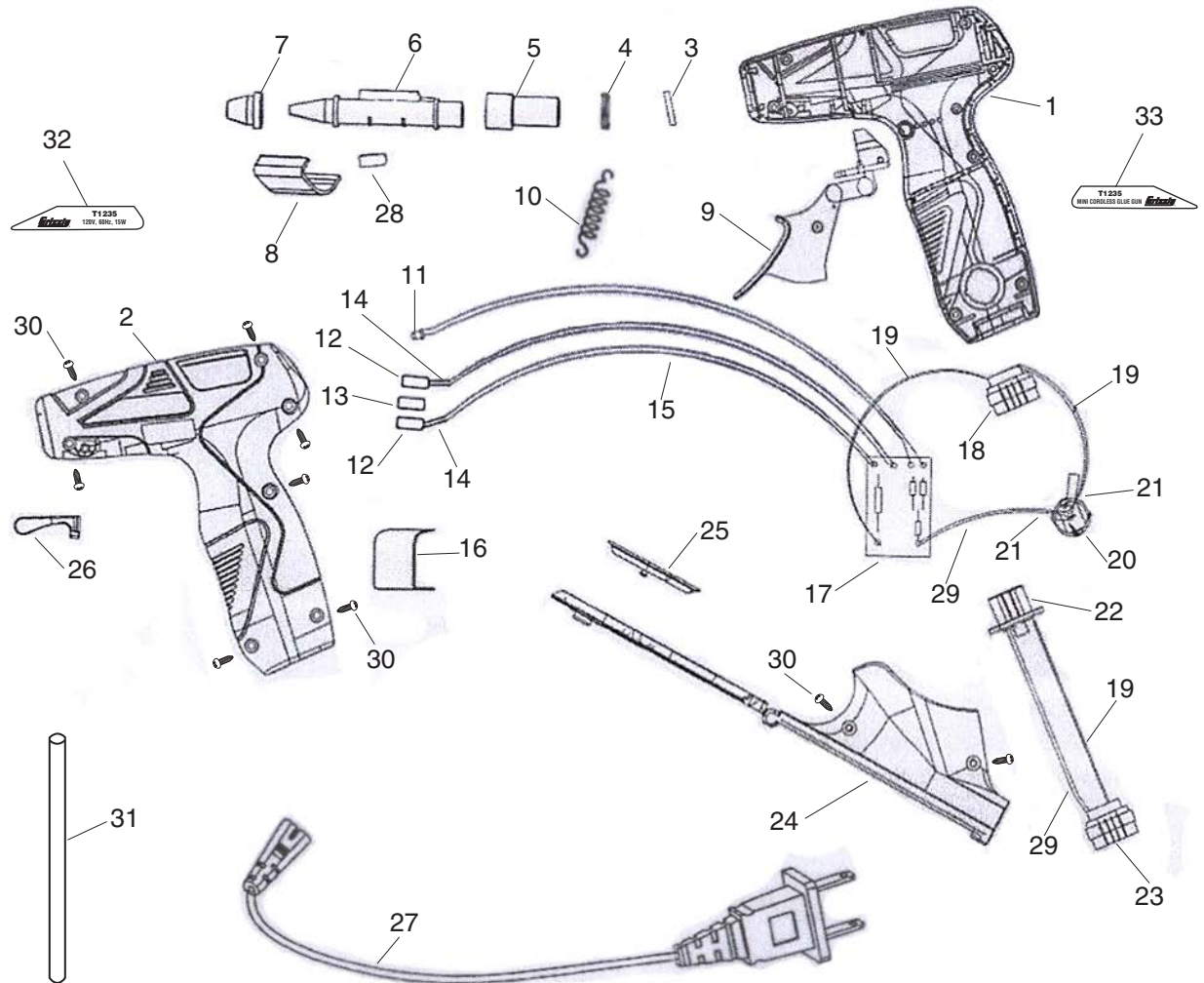
6. After gluing operation is complete, release trigger and turn glue gun **OFF**. Allow it to fully cool before storing. Glue sticks may remain in glue gun when not in use and be re-melted when used again.

Tip: Never pull glue stick out through back of glue gun. Doing so may damage feed mechanism. Cut off extra portion of glue stick and feed remainder through glue gun.

Note: Never pour water over glue gun, put glue gun into water, or expose to rain. Only use a damp cloth to clean glue gun.



Parts Breakdown & List



REF	PART #	DESCRIPTION
1	PT1235001	GLUE GUN HOUSING (LEFT)
2	PT1235002	GLUE GUN HOUSING (RIGHT)
3	PT1235003	BACK DETENT RING
4	PT1235004	SPRING CLAMP
5	PT1235005	PLASTIC SLEEVE
6	PT1235006	METAL GLUE TUBE
7	PT1235007	SILICON NOZZLE SLEEVE
8	PT1235008	HEATER CLIP
9	PT1235009	TRIGGER
10	PT1235010	TRIGGER SPRING
11	PT1235011	INDICATOR LIGHT
12	PT1235012	HEATER
13	PT1235013	COPPER CONDUCTING STRIP
14	PT1235014	SILICON TUBE
15	PT1235015	WIRES 24G HIGH-TEMP RESISTANT
16	PT1235016	INSULATION FILM
17	PT1235017	CIRCUIT BOARD CY1

REF	PART #	DESCRIPTION
18	PT1235018	POWER CORD SOCKET
19	PT1235019	WIRE 22G BROWN
20	PT1235020	SWITCH LECI RS601H
21	PT1235021	HEAT SHRINK TUBE
22	PT1235022	POWER CORD COUPLER
23	PT1235023	POWER CORD SOCKET
24	PT1235024	DOCKING POWER BASE
25	PT1235025	GLUE SPILL BOWL
26	PT1235026	PLASTIC STAND
27	PT1235027	POWER CORD 18G 2W 60" 1-15P
28	PT1235028	HEATER CLIP SPACER
29	PT1235029	WIRE 22G BLUE
30	PT1235030	TRI-WING TAP SCREW M2.9 X 10
31	PT1235031	MINI GLUE STICK 0.28"
32	PT1235032	TOOL ID LABEL (RIGHT)
33	PT1235033	TOOL ID LABEL (LEFT)



grizzly.com®
TOOL WEBSITE

Buy Direct and Save with Grizzly® – Trusted, Proven and a Great Value!
~Since 1983~

*Visit Our Website Today For
Current Specials!*

**ORDER
24 HOURS A DAY!
1-800-523-4777**

