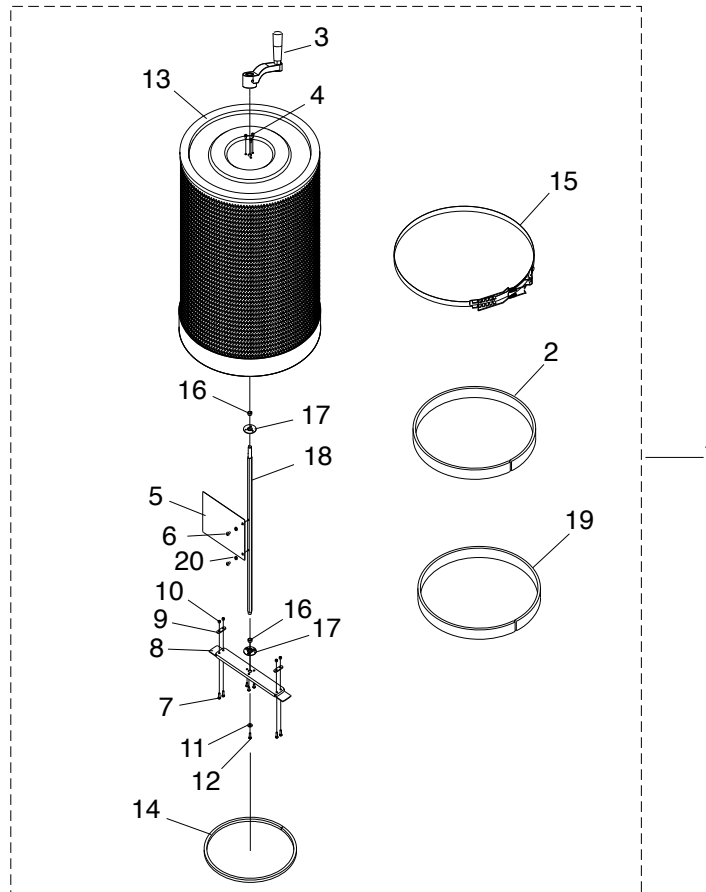




# MODEL T23129 CANISTER FILTER PARTS LIST

For questions or help with this product contact Tech Support at (570) 546-9663 or techsupport@grizzly.com



Parts breakdown provided for reference only. Not all parts shown are available for purchase.

REF	PART #	DESCRIPTION
1	T23129	CANISTER FILTER V2.09.11
2	P0583Z031-1V2	FOAM STRIP 6 X 20MM V2.09.11
3	P0583Z033	HANDLE
4	PS09M	PHLP HD SCR M5-.8 X 10
5	P0583Z038V2	PLASTIC FLAP BOARD V2.09.11
6	PS68M	PHLP HD SCR M6-1 X 10
7	PS20M	PHLP HD SCR M5-.8 X 15
8	P0583Z044	BOTTOM PLATE
9	P0583Z045	SUPPORT TAB
10	PN06M	HEX NUT M5-.8

REF	PART #	DESCRIPTION
11	PW06	FLAT WASHER 1/4
12	PS68M	PHLP HD SCR M6-1 X 10
13	P0583Z050V2	FILTER V2.09.11
14	P0583Z050-1	FOAM GASKET 10 X 15 MM
15	P0583Z051	METAL BELT CLAMP
16	PH5783005	THRUST BEARING 12 X 14 X 6
17	PH5783006	BEARING PLATE
18	P0583Z054	HEX SPINDLE
19	P0583Z056V2	FOAM STRIP 5 X 42MM V2.09.11
20	PW03M	FLAT WASHER 6MM

COPYRIGHT © DECEMBER, 2011 BY GRIZZLY INDUSTRIAL, INC.

**WARNING: NO PORTION OF THIS MANUAL MAY BE REPRODUCED IN ANY SHAPE OR FORM WITHOUT THE WRITTEN APPROVAL OF GRIZZLY INDUSTRIAL, INC.**

#ST14613 PRINTED IN TAIWAN