



For questions or help with this product contact Tech Support at (570) 546-9663 or techsupport@grizzly.com

MODEL T23282 BORING HEAD FOR MODEL G0718 INSTRUCTIONS

Introduction

This boring head is machined from solid billets of 6061-T6 aluminum and features a 52mm-5.5mm three-hole pattern (see **Figure 1**).

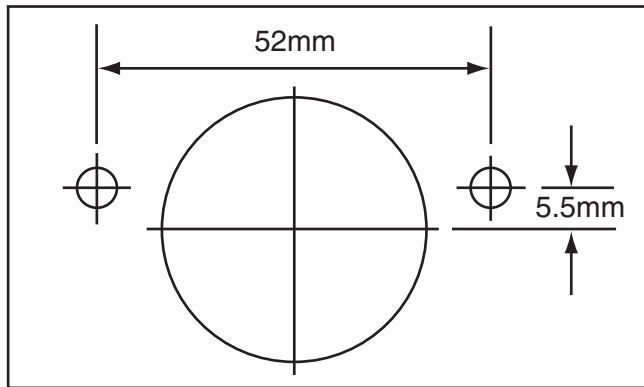


Figure 1. T23282 hinge boring pattern.

Inventory

Description	Qty
A. Boring Head	1
B. Cup Bit Chuck	1
C. Pilot Bit Chucks (With Black Line).....	2
D. Set Screws M5-.8 x 5.....	6
E. Hex Wrench 2.5mm.....	1

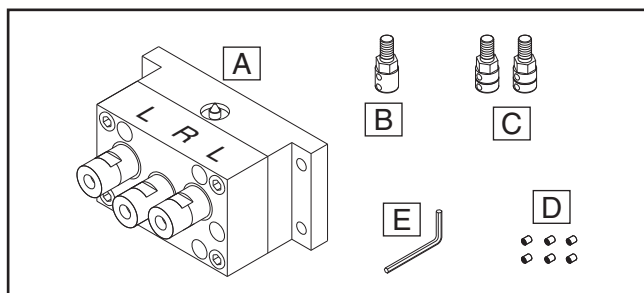


Figure 2. Model T23282 inventory.

Tools Needed

Tools Needed	Qty
Wrenches 14mm.....	2

Assembly

1. Clean the storage lubricant off of the boring head and chucks with mineral spirits and a rag.
2. Thread the cup bit chuck into the center shaft marked R (right-hand threads), and thread the pilot bit chucks into the shafts marked L (left-hand threads) until snug (see **Figure 3**).

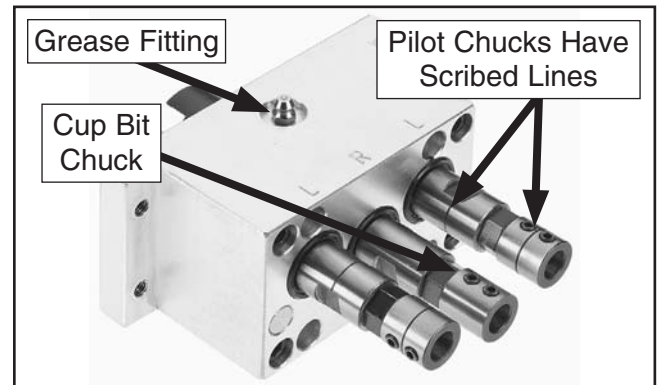


Figure 3. Chucks threaded into head.

Note: Extra set screws are provided but are not required to complete assembly.

Safety, Installation and Setup

Refer to the Model G0718 Owner's Manual for safety instructions and detailed instructions on installing and setting up the boring head. Refer to the newest copy of the Grizzly catalog for a list of interchangeable boring bits for the Model T23282.

Lubrication

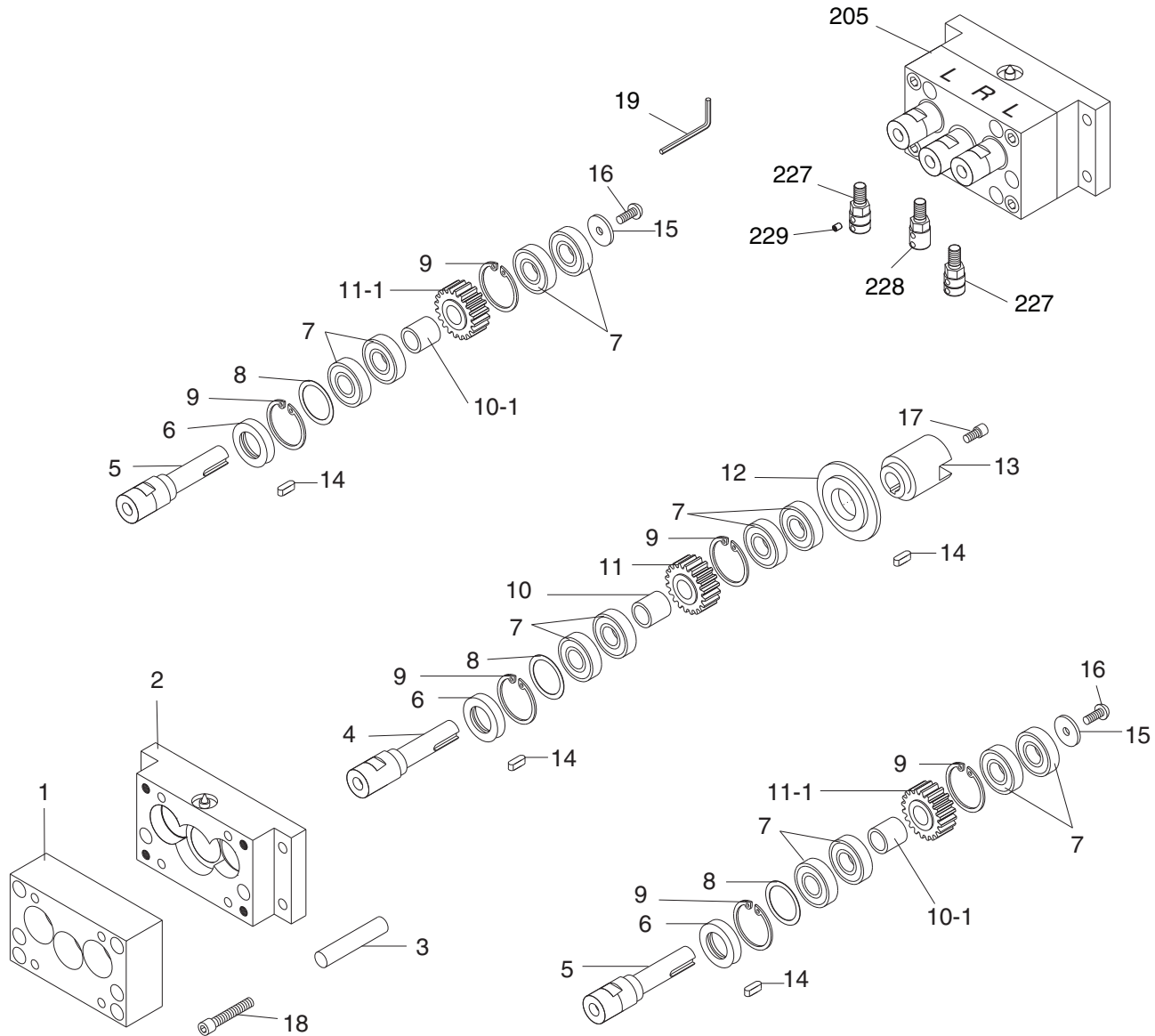
Since the head is pre-packed with grease, it does not need to be lubricated prior to installation. Use a grease gun to inject 2–3 pumps of Mobilith SHC460 grease into the grease fitting (see **Figure 3**) every 40 hours.

COPYRIGHT © JUNE, 2011 BY GRIZZLY INDUSTRIAL, INC.

WARNING: NO PORTION OF THIS MANUAL MAY BE REPRODUCED IN ANY SHAPE OR FORM WITHOUT THE WRITTEN APPROVAL OF GRIZZLY INDUSTRIAL, INC.

#BL14209 PRINTED IN TAIWAN

T23282 Parts Breakdown and List



REF	PART #	DESCRIPTION
1	PT23282001	UPPER BORING HEAD
2	PT23282002	LOWER BORING HEAD
3	PT23280003	ALIGNMENT DOWEL 10 X 50MM
4	PT23280004	CUP BIT SPINDLE
5	PT23280005	PILOT BIT SPINDLE
6	PT23280006	RUBBER SEAL 24 X 15 X 5MM
7	P6901ZZ	BALL BEARING 6901 ZZ
8	PT23280008	SPACER
9	PR93M	INT RETAINING RING 24MM
10	PT23280010	CUP BIT SPACER 12MM
10-1	PT23281010-1	PILOT BIT SPACER 12MM
11	PT23282011	CUP BIT GEAR
11-1	PT23281011-1	PILOT BIT GEAR

REF	PART #	DESCRIPTION
12	PT23280012	TRANSMISSION NUT
13	PT23280013	SLOTTED SHAFT
14	PK69M	KEY 4 X 4 X 12
15	PW02M	FLAT WASHER 5MM
16	PFH05M	FLAT HD SCR M5-.8 X 12
17	PCAP24M	CAP SCREW M5-.8 X 16
18	PCAP48M	CAP SCREW M6-1 X 35
19	PAW02.5M	HEX WRENCH 2.5MM
205	T23282	BORING HEAD ASSEMBLY 52 X 5.5MM
227	P0718227	PILOT BIT CHUCK
228	P0718228	CUP BIT CHUCK
229	PSS07M	SET SCREW M5-.8 X 5

Parts breakdown provided for reference only. Not all parts shown are available for purchase.

