



For questions or help with this product contact Tech Support at (570) 546-9663 or techsupport@grizzly.com

# MODEL T25938 2¼ TON FLOOR JACK w/LED LIGHT INSTRUCTIONS

## Introduction

This floor jack has a 2¼ ton capacity and a bright LED light built into the saddle for safe and easy alignment. It also features a detachable handle that stows on the side for compact storage.

## Inventory

Description	Qty
A. Floor Jack.....	1
B. Handle .....	1
C. Socket 17–19mm .....	1
D. Socket 21–23mm.....	1



Figure 1. T25938 inventory.

## Specifications

Maximum Lifting Capacity .....	2¼ Tons
Lifting Range .....	3⅛"–14⅜"
Hydraulic Fluid.....	ISO 32

## ⚠ WARNING

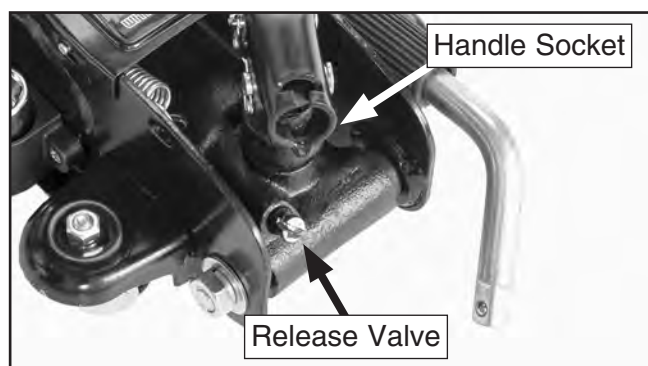
To reduce risk of death, serious personal injury, or property damage when using jack:

- DO NOT overload jack beyond its rated capacity. Overloading may result in personal injury or property damage.
- ALWAYS support vehicle with appropriately rated support stands before working under it and ensure all four corners of support stands are firmly on the ground.
- Use caution when entering a vehicle supported by support stands. Never allow others to enter a supported vehicle while anyone is working underneath.
- ONLY use jack and support stands at appropriate points on vehicle that can safely support vehicle's weight.
- ALWAYS apply parking brake, and use wheel chocks against tires to prevent accidental rolling.
- ONLY use this jack on a hard level surface capable of sustaining the load being supported.
- Center load on jack to maintain proper balance and stability.
- DO NOT attempt to move the vehicle while jack is in use.
- DO NOT use jack if it begins leaking fluid or if it sinks when placed under load. These are indications that the jack needs to be immediately serviced.

## Operation

The handle on Model T25938 is used for both adjusting the release valve (see **Figure 2**) and pumping the saddle. When the release valve is fully tightened (clockwise), the saddle can be raised up by pumping the handle socket. When the release valve is loosened (counterclockwise), the saddle will automatically lower.

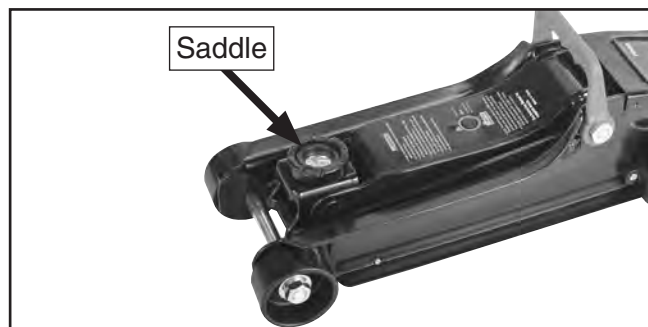
**IMPORTANT:** The speed at which the saddle lowers is determined by the amount of weight it is holding and how much the release valve has been loosened. To avoid suddenly dropping a heavy load, it is important to loosen the release valve as slowly as possible.



**Figure 2.** Release valve location.

### To operate:

1. Park vehicle on a sturdy and even surface with emergency brake set (for standard transmissions, make sure vehicle is parked in gear).
2. With the handle, close release valve by turning clockwise. Be careful not to overtighten.
3. Center saddle (see **Figure 3**) under an approved lifting point. (Before lifting, refer to vehicle owner's manual for correct positioning.)



**Figure 3.** Saddle location.

4. With handle in handle socket (see **Figure 4**), pump up and down until the saddle touches load. If saddle slips from lifting point, reposition it.



**Figure 4.** Handle in socket.

5. Pump handle until vehicle is raised to desired height.
6. Support vehicle with appropriate jack stands or other supports (not included).
7. When you are done using the jack, carefully remove supports, then lower jack by **SLOWLY** turning release valve counterclockwise until vehicle is level on ground and saddle is completely lowered.

## Adding Hydraulic Fluid

Keep the hydraulic ram clean and free of any dust, dirt, or foreign debris. Abrasive material stuck to the ram can damage the hydraulic seal when the ram is retracted back into the jack. Regularly wipe the hydraulic ram clean with a lightly oiled rag.

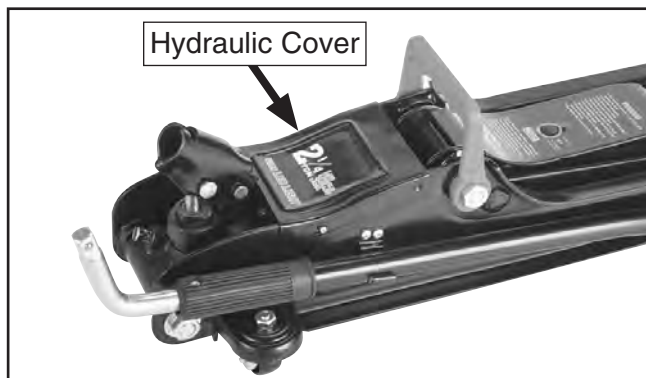
The Model T25938 may require additional hydraulic fluid after long-term use, which will be noticeable if the jack does not reach its maximum height.

<b>Tools Needed</b>	<b>Qty</b>
Phillips Screwdriver #3 .....	1
Hydraulic Fluid.....	ISO 32
Phillips Screwdriver #2 .....	1
Punch .....	1

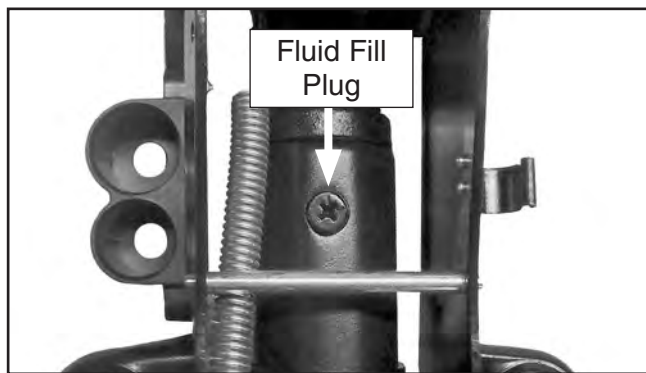


### To add hydraulic fluid:

1. Completely lower jack.
2. Remove hydraulic cover (see **Figure 5**) and fluid fill plug (see **Figure 6**).



**Figure 5.** Hydraulic cover location.



**Figure 6.** Fluid fill plug location.

3. Add hydraulic fluid until it reaches top of fluid hole.
4. Replace fill plug.
5. Test jack operation by pumping it up to maximum height and applying a load to the saddle. The jack should hold the weight without a sinking or spongy feeling.  
— If jack did not perform properly, follow instructions on preparing jack for use.
6. Replace hydraulic cover.

### Changing Batteries

The Model T25938 requires three AA batteries (not included) for the LED light to operate. Although the jack is functional without this feature, the light will help to ensure placement points are correctly aligned. Take the following steps to change batteries.

#### To change batteries:

1. Completely lower jack.
2. Remove two screws on underside of jack (see **Figure 7**).



**Figure 7.** Battery case location.

3. Slide battery case out, then remove two more screws from compartment cover to open battery compartment.
4. Insert three AA batteries (not included), as shown on battery case diagram.
5. Re-install and secure compartment cover and battery case.
6. Test LED light by pressing ON switch on top of jack. The light will automatically turn OFF after 2 minutes.

### Changing LED Light

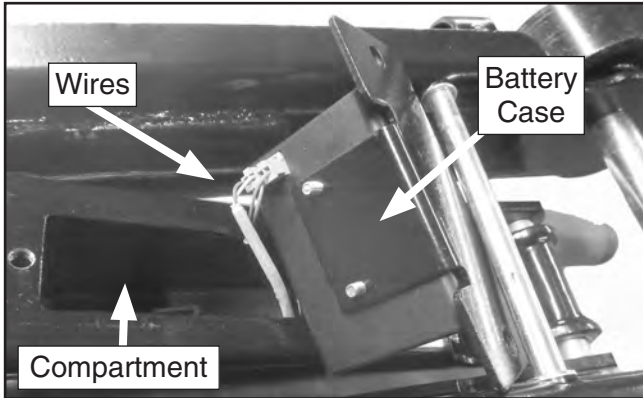
If the LED light doesn't turn on and new batteries have been installed, the light assembly may need to be changed. Use caution when following the steps below to change the LED light.

#### To change LED light:

1. Completely lower jack and position it upside-down.
2. Remove battery case (see instructions on changing battery).



- Remove black and white wires from battery case (see **Figure 8**), then pull about 3" of the wires out of battery compartment.



**Figure 8.** Battery case removed.

- Lightly tap bottom of LED light with a large punch. Be careful to distribute force equally.
- Remove lens, washer, and light, then replace bulb (not included) and wires.
- Repeat steps 1-5 in reverse to re-install battery case.

## Releasing Trapped Air

Sometimes during shipment, the hydraulic system will trap air, causing the jack to stop working properly. Before use, take the following steps to avoid malfunction.

Tools Needed	Qty
Phillips Head Screwdriver #3 .....	1

### To release air:

- Turn release valve counterclockwise about two full rotations.
- Remove hydraulic cover.
- Remove fluid fill plug.
- Quickly pump handle socket several full strokes until jack is fully extended.
- Release air by lowering jack.
- Repeat as needed.
- Replace fluid fill plug and hydraulic cover.

## Troubleshooting

Symptom	Possible Cause	Possible Solution
Jack will not lower.	<ol style="list-style-type: none"> <li>Hydraulic system has trapped air.</li> <li>Release valve is stuck.</li> </ol>	<ol style="list-style-type: none"> <li>Release air.</li> <li>Transfer load and clean valve.</li> </ol>
Jack does not hold weight.	<ol style="list-style-type: none"> <li>Release valve is open.</li> </ol>	<ol style="list-style-type: none"> <li>Close release valve by turning counterclockwise until tight.</li> </ol>
Jack will not fully extend.	<ol style="list-style-type: none"> <li>Hydraulic system has trapped air.</li> <li>Low fluid level.</li> </ol>	<ol style="list-style-type: none"> <li>Release air</li> <li>Fill fluid.</li> </ol>
Lift is weak.	<ol style="list-style-type: none"> <li>Release valve is open.</li> <li>Hydraulic system has trapped air.</li> <li>Fluid is dirty.</li> </ol>	<ol style="list-style-type: none"> <li>Tightly close release valve.</li> <li>Release air.</li> <li>Change fluid.</li> </ol>
Jack will not lift.	<ol style="list-style-type: none"> <li>Release valve is open.</li> <li>Excessive weight.</li> <li>Low fluid level.</li> </ol>	<ol style="list-style-type: none"> <li>Tightly close release valve .</li> <li>Decrease weight or use jack with higher capacity</li> <li>Fill fluid.</li> </ol>
Light does not turn on.	<ol style="list-style-type: none"> <li>Batteries have insufficient charge.</li> </ol>	<ol style="list-style-type: none"> <li>Replace batteries.</li> </ol>



## Accessories

### **NOTICE**

Refer to our website or latest catalog for additional recommended accessories.

#### **H8089—1250 lb. Low Profile Transmission Jack**

This low profile transmission jack features a pivoting handle, 4 iron casters, 10<sup>3</sup>/<sub>16</sub>" square table surface, and 1250 pound capacity.

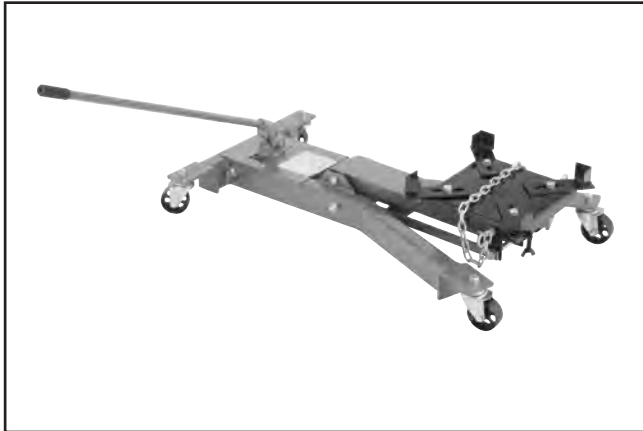


Figure 9. H8089 Low Profile Transmission Jack.

#### **G9722—10<sup>1</sup>/<sub>2</sub>" x 11<sup>1</sup>/<sub>2</sub>" Stainless Magnetic Tray**

There is nothing more aggravating than lost parts. This stainless steel magnetic tray keeps small parts close at-hand and secure anywhere a magnet will stick. Perfect for car repairs and machine tool setups.



Figure 10. G9722 Stainless Magnetic Tray.

#### **T10028—Pair of Wheel Chocks**

Prevent accidental shifting of your vehicle with a pair of these stackable, high-impact plastic Wheel Chocks. Just place against the tires and you know your vehicle isn't going anywhere. Great for campers and utility trailers as well as preventing vehicles from shifting during jacking.



Figure 11. T10028 Pair of Wheel Chocks.

#### **T25923—Kneeling Creeper with Knee Padding**

When a kneeling work position is just right, this Foam Padded Kneeling Creeper features six swivel casters for stability, contoured foam knee pads for comfort, and divided trays for tools and hardware. Convenient center handle for easy transport.



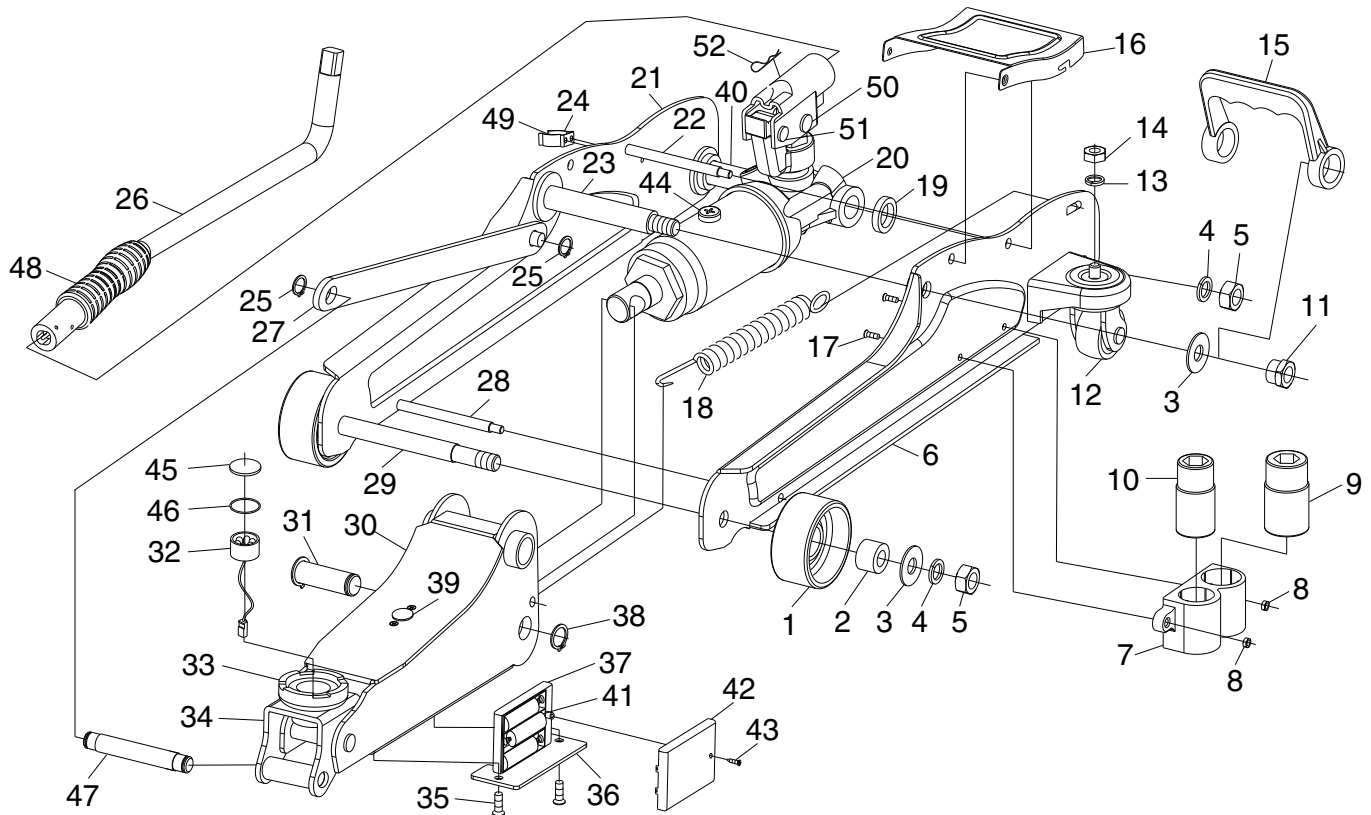
Figure 12. T25923 Kneeling Creeper with Knee Padding.

**order online at [www.grizzly.com](http://www.grizzly.com) or call 1-800-523-4777**





## Parts



REF PART #	DESCRIPTION
1	PT25938001 FRONT WHEEL
2	PT25938002 BUSHING
3	PT25938003 FLAT WASHER 12MM
4	PT25938004 LOCK WASHER 12MM
5	PT25938005 HEX NUT M12-1.75
6	PT25938006 FRAME (L)
7	PT25938007 SOCKET HOLDER
8	PT25938008 HEX NUT M5-.8
9	PT25938009 SOCKET 17-19MM
10	PT25938010 SOCKET 21-23MM
11	PT25938011 SHOULDER NUT M12-1.75
12	PT25938012 REAR WHEEL ASSEMBLY
13	PT25938013 LOCK WASHER 8MM
14	PT25938014 HEX NUT M8-1.25
15	PT25938015 CARRYING HANDLE
16	PT25938016 HYDRAULIC PISTON COVER
17	PT25938017 HEX BOLT M5-.8 X 20
18	PT25938018 EXTENSION SPRING 2.3 X 15 X 114MM
19	PT25938019 BUSHING
20	PT25938020 HYDRAULIC PISTON ASSEMBLY
21	PT25938021 FRAME (R)
22	PT25938022 THREADED SHAFT M12-1.75
23	PT25938023 LIFT ARM SHAFT
24	PT25938024 HANDLE CLASP
25	PT25938025 EXT RETAINING RING 12MM
26	PT25938026 HANDLE

REF PART #	DESCRIPTION
27	PT25938027 LINK ROD
28	PT25938028 CONNECTING ROD
29	PT25938029 FRONT WHEEL AXLE M12-1.75
30	PT25938030 LIFT ARM ASSEMBLY
31	PT25938031 LIFT ARM AXIS
32	PT25938032 LED LIGHT ASSEMBLY
33	PT25938033 SADDLE
34	PT25938034 SADDLE BASE
35	PT25938035 PHLP HD SCR M6-1 X 10
36	PT25938036 BATTERY TRAY COVER
37	PT25938037 BATTERY CASE
38	PT25938038 EXT RETAINING RING 20MM
39	PT25938039 LED POWER BUTTON
40	PT25938040 BASE AXIS
41	PT25938041 BATTERY AA
42	PT25938042 BATTERY CASE COVER
43	PT25938043 PHLP HD SCR M2-.4 X 6
44	PT25938044 FILL PLUG
45	PT25938045 LENS, PLASTIC
46	PT25938046 O-RING 24 X 1.5
47	PT25938047 CONNECTING ROD
48	PT25938048 FLAT HD SCR M5-.8 X 6
49	PT25938049 RIVET 4 X 8MM BLIND, STEEL
50	PT25938050 CLEVIS PIN 10 X 35
51	PT25938051 CLEVIS PIN 8 X 35
52	PT25938052 COTTER PIN 5 X 24 HAIRPIN

