



For questions or help with this product contact Tech Support at (570) 546-9663 or techsupport@grizzly.com

# MODEL T26747 HAND-OPERATED GREASE PUMP INSTRUCTIONS

## Introduction

The Model T26747 Hand-Operated Grease Pump is a high-pressure grease delivery system designed to be completely portable and to operate hands-free.

## Specifications

Grease Outlet .....M14  
 High-Pressure Hose ..... M14 x 8'  
 Volume.....3 Gallons (12 L)  
 Weight .....26 lbs.  
 Types of Grease ..... NLGI #1, 2, 3

## Inventory

Description	Qty
A. Grease Drum.....	1
B. High-Pressure Hose.....	1
C. Grease Nozzle.....	1
D. Handle.....	1
E. Hand Lever.....	1
F. Hardware Bag (Not Shown).....	1
— Double End Studs M6-1 x 34.....	3
— Lock Nuts M6-1.....	6

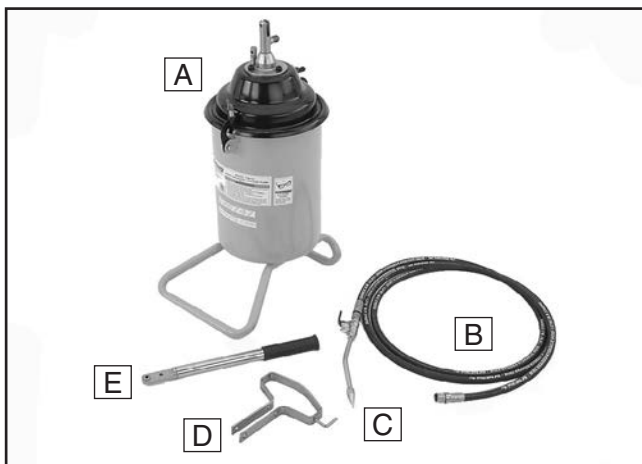


Figure 1. Model T26747 inventory components.



**⚠ WARNING**  
 Eye injury hazard! Always wear safety glasses when using this machine.

## Assembly

Tools Required	Qty
Open-End Wrench 17mm.....	1 Ea.
Open-End or Wrench/Socket 10mm.....	2 Ea.

### To assemble grease pump:

1. Attach handle and hand lever to connecting rod at top of lid using (3) M6-1 x 34 double-end studs and (6) M6-1 lock nuts (see **Figure 2**).

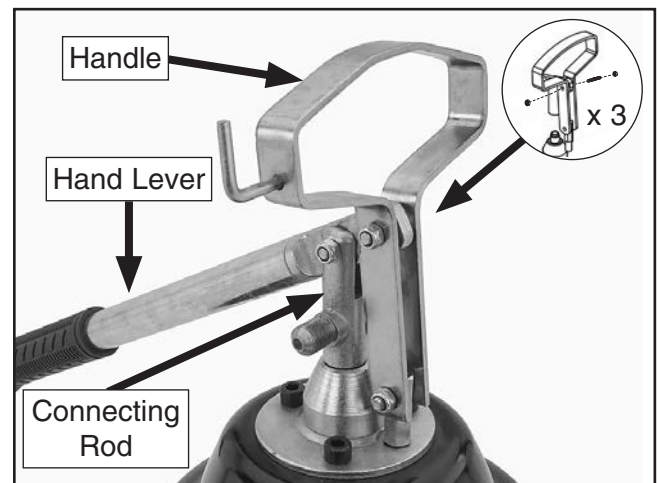
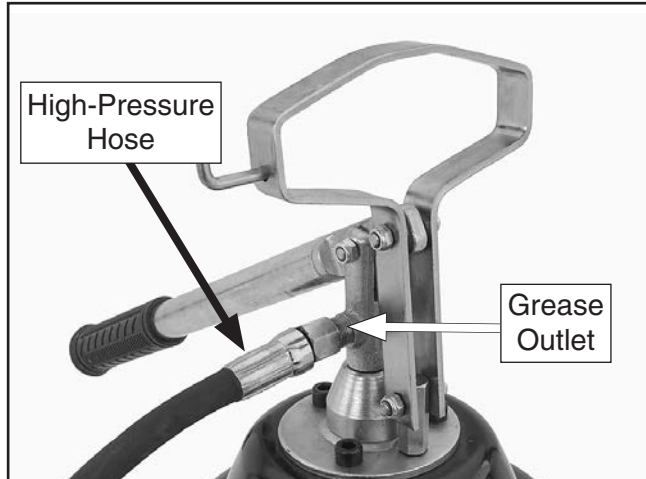


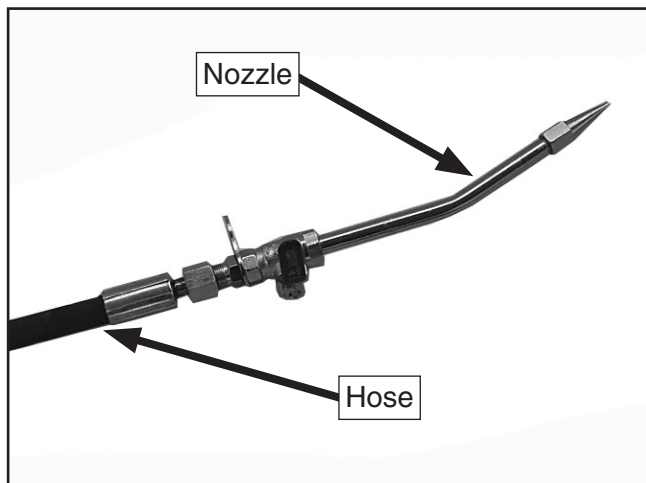
Figure 2. Hand lever and handle attached.

2. Thread high-pressure hose onto grease outlet fitting on connecting rod and tighten securely (see **Figure 3**).



**Figure 3.** High-pressure hose installed on grease outlet.

3. Thread grease nozzle onto other end of hose and tighten securely (see **Figure 4**).



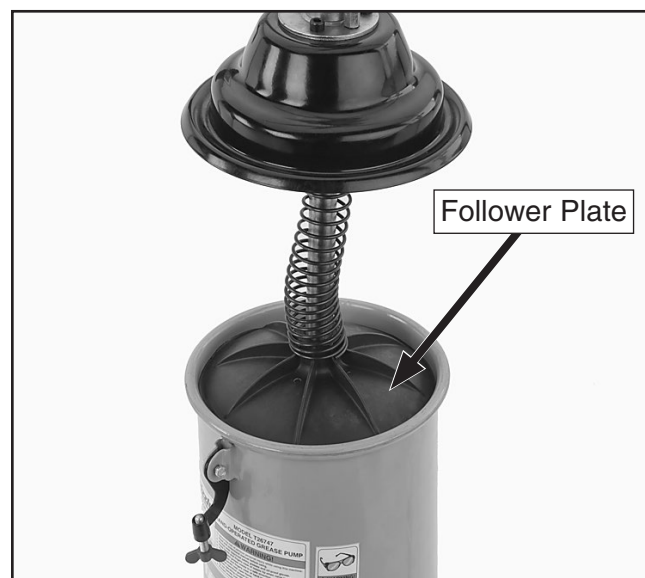
**Figure 4.** Grease nozzle installed on high-pressure hose.

## Filling

1. Remove lid assembly from grease drum by releasing the two latches.

**Tip:** When removing lid assembly from drum, tilt it slightly to one side. This relieves suction and allows assembly to slide out more easily.

2. Fill drum with bulk grease, ensuring no air pockets remain.
3. Slide lid assembly back into grease drum, making sure follower plate is seated against side of drum body to prevent air pockets from forming (see **Figure 5**).



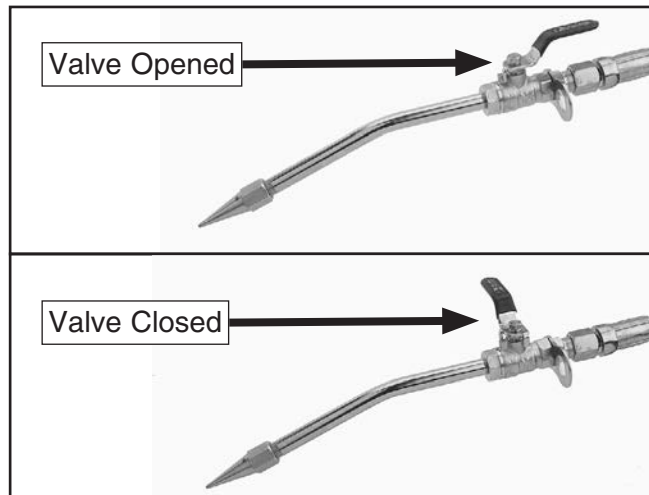
**Figure 5.** Follower plate seated against drum body.

4. Once lid assembly is fully seated, secure with latches.



## Operation

1. Ensure that valve handle on grease nozzle is in closed position (see **Figure 6**).



**Figure 6.** Example of valve in opened and closed positions.

**Note:** When valve handle is parallel with grease nozzle, valve is open; when handle is perpendicular to grease nozzle, valve is closed.

2. Pump hand lever three to five times to pressurize system. This will vary according to how full the grease drum is.
3. Quickly turn valve handle to open position (see **Figure 6**) to purge any contaminants, then close it again. Allow just enough grease to escape to be sure it is clean, then wipe off nozzle with rag.
4. Insert tip of nozzle into fitting to be lubricated, then turn valve handle to open position (see **Figure 6**) to inject grease.
5. Once desired amount of grease has been injected into fitting, turn valve handle to closed position (see **Figure 6**) to stop flow of grease.

## Troubleshooting

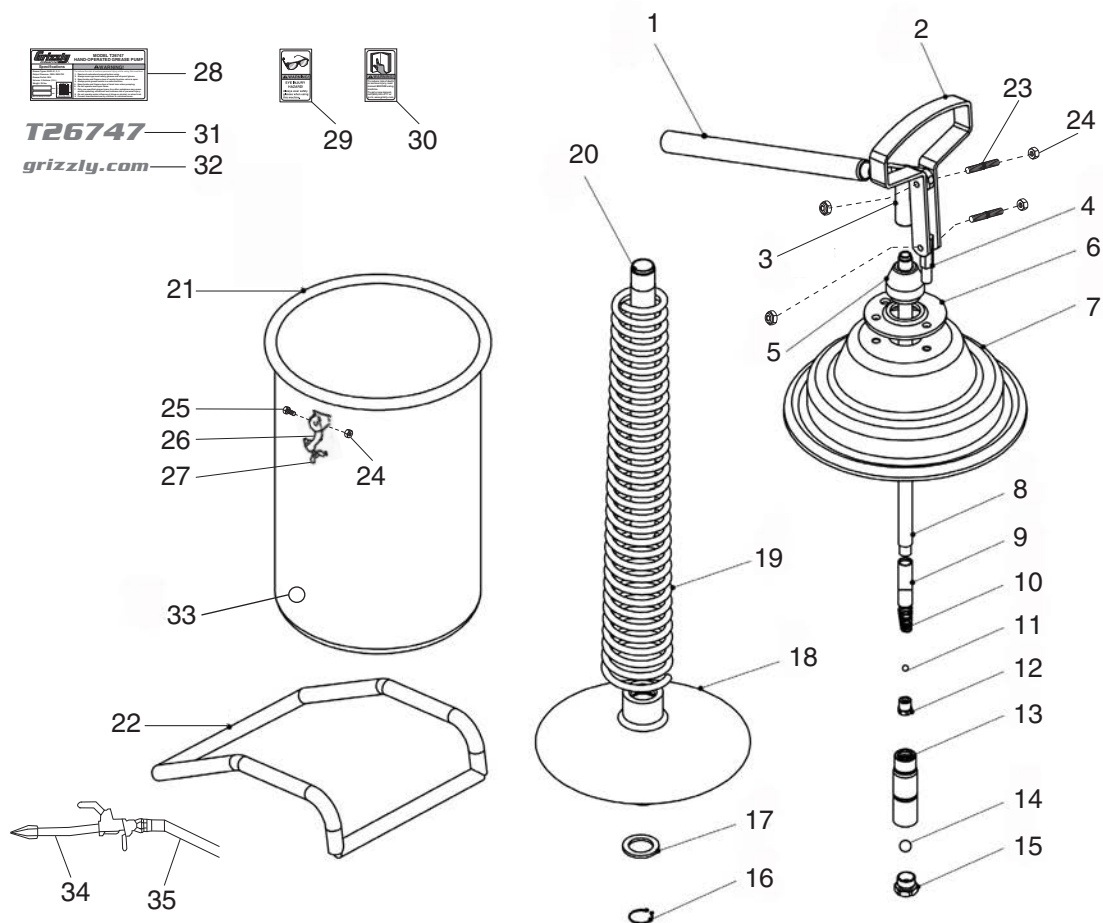
Review the troubleshooting and procedures in this section if a problem develops with your machine. If you need replacement parts or additional help with a procedure, call our Technical Support at (570) 546-9663.

**Note:** Please gather the serial number and manufacture date of your machine before calling.

Symptom	Possible Cause	Possible Solution
Grease not pumping through nozzle.	<ol style="list-style-type: none"> <li>1. Blockage in nozzle.</li> <li>2. Air pocket in grease drum.</li> <li>3. Drum empty.</li> </ol>	<ol style="list-style-type: none"> <li>1. Disassemble and clean out nozzle assembly.</li> <li>2. Remove lid assembly, then slowly re-insert; keep follower plate seated against side of drum body.</li> <li>3. Fill drum with grease.</li> </ol>
Hose fitting leaking at nozzle.	<ol style="list-style-type: none"> <li>1. Loose nozzle connection.</li> </ol>	<ol style="list-style-type: none"> <li>1. Tighten nozzle on hose.</li> </ol>
Hose fitting leaking at outlet.	<ol style="list-style-type: none"> <li>1. Loose hose connection.</li> </ol>	<ol style="list-style-type: none"> <li>1. Tighten hose on outlet.</li> </ol>
Grease flowing slowly from nozzle.	<ol style="list-style-type: none"> <li>1. Grease is too heavy (thick).</li> <li>2. Hose is kinked.</li> <li>3. Grease drum not pressurized.</li> </ol>	<ol style="list-style-type: none"> <li>1. Add 8–10 oz. of SAE 40 or similar oil to grease in drum.</li> <li>2. Unkink hose.</li> <li>3. Pump hand lever to repressurize system; or remove and re-insert lid assembly, keeping follower plate seated against side of drum body.</li> </ol>



# Parts



REF	PART #	DESCRIPTION
1	PT26747001	LEVER
2	PT26747002	HANDLE
3	PT26747003	GREASE OUTLET M14
4	PT26747004	HANDLE PIN
5	PT26747005	SLEEVE
6	PT26747006	TOP PLATE
7	PT26747007	DRUM LID
8	PT26747008	CONNECTING ROD
9	PT26747009	COUPLER
10	PT26747010	COMPRESSION SPRING
11	PT26747011	STEEL BALL 6MM
12	PT26747012	VALVE SEAT
13	PT26747013	PUMP BODY
14	PT26747014	STEEL BALL 12MM
15	PT26747015	PUMP BODY SEAT
16	PT26747016	EXT RETAINING RING 24MM

REF	PART #	DESCRIPTION
17	PT26747017	DOCK WASHER 24MM
18	PT26747018	FOLLOWER PLATE
19	PT26747019	COMPRESSION SPRING
20	PT26747020	COLUMN
21	PT26747021	DRUM
22	PT26747022	BASE
23	PT26747023	STUD-DE M6-1 X 32
24	PT26747024	LOCK NUT M6-1
25	PT26747025	HEX BOLT M6-1 X 15
26	PT26747026	WING BOLT M8-1.25 X 40
27	PT26747027	LATCH
28	PT26747028	MACHINE ID LABEL
29	PT26747029	GRIZZLY.COM LABEL
30	PT26747030	GRIZZLY GREEN TOUCH-UP PAINT
34	PT26747034	GREASE GUN
35	PT26747035	HIGH PRESSURE HOSE 7500-PSI

**Please Note:** We do our best to stock replacement parts whenever possible, but we cannot guarantee that all parts shown here are available for purchase. Call (800) 523-4777 or visit our online parts store at [www.grizzly.com](http://www.grizzly.com) to check for availability.

