



# MODEL T26748 PNEUMATIC GREASE PUMP INSTRUCTIONS

For questions or help with this product contact Tech Support at (570) 546-9663 or techsupport@grizzly.com

## Introduction

The Model T26748 Pneumatic Grease Pump is a high-pressure grease delivery system designed to be completely portable and operate hands-free.

## Specifications

Pressure Ratio.....	50:1
Air Inlet Working Pressure.....	90–115 PSI
Max. Air Pressure.....	120 PSI
Max. Oil Outlet Pressure.....	5800 PSI
Max. Flow Rate.....	.22 GPM
Grease Outlet.....	M14
High-Pressure Hose.....	M14 x 8'
Volume.....	3 Gallons (12 L)
Types of Grease.....	NLGI #1, 2, 3

## Inventory

Description	Qty
A. High-Pressure Hose.....	1
B. Grease Gun.....	1
C. Pneumatic Pump (Installed).....	1
D. Grease Drum.....	1

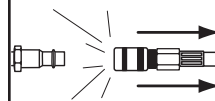


Figure 1. Model T26748 inventory components.

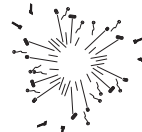
## ⚠ WARNING



**EYE INJURY HAZARD!**  
Always wear safety glasses during use to prevent serious personal injury.



**INJURY HAZARD!**  
When servicing, always disconnect tool from air to prevent unexpected operation.



**120 PSI  
MAX AIR PRESSURE!**  
Exceeding this PSI may result in injury/tool damage.

## Assembly

Tools Required	Qty
Open-End Wrench 17mm.....	2 Ea.

### To assemble grease pump:

1. Screw high-pressure hose onto grease outlet on pneumatic pump and tighten securely (see Figure 2).

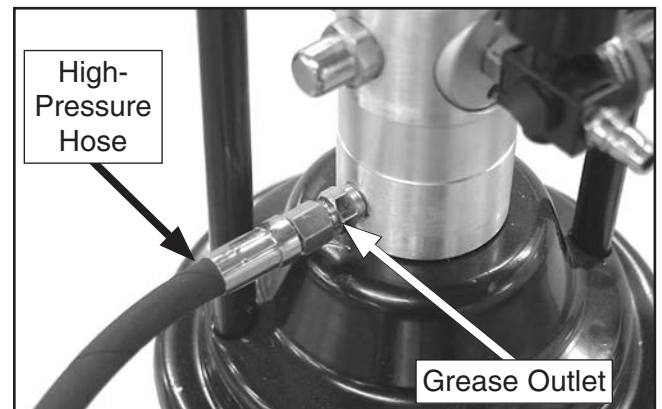
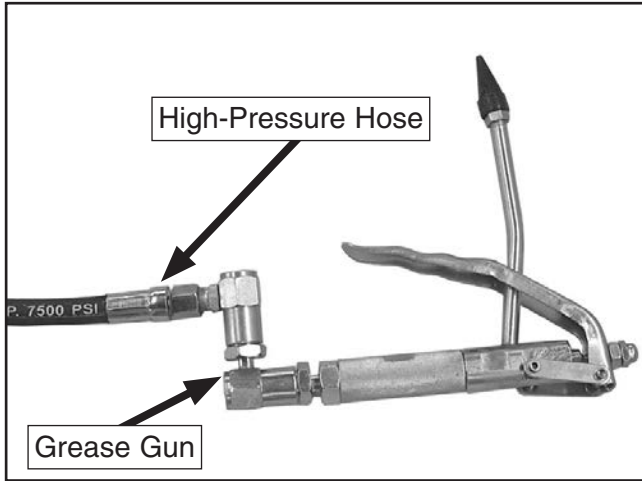


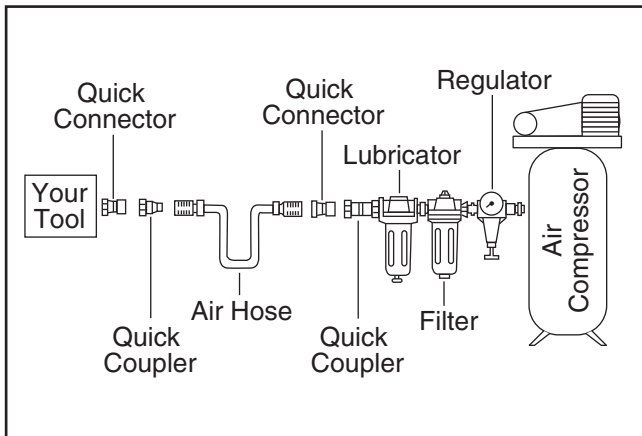
Figure 2. High-pressure hose attached to pump.

2. Screw grease gun fitting onto other end of high-pressure hose and tighten securely (see **Figure 3**).



**Figure 3.** High-pressure hose attached to grease gun.

3. Attach grease pump to compressed air source. To improve tool lifespan and avoid contaminating grease with water from air supply lines, use a filter/lubricator/regulator setup, as shown in **Figure 4**.



**Figure 4.** Example of a filter/lubricator/regulator setup.

## **NOTICE**

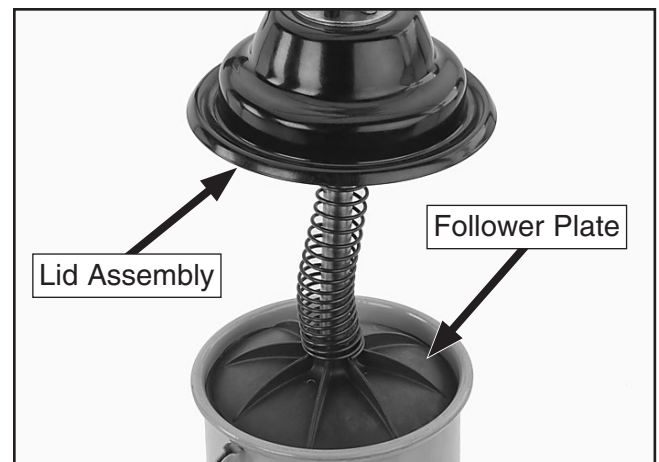
Do not allow pneumatic pump to run dry. This can cause pump to overheat, which can quickly damage the machine. This type of damage is considered to be neglect and will not be covered under warranty.

## **Filling**

1. Remove lid assembly from grease drum.

**Tip:** When removing lid assembly from drum, tilt it slightly to one side. This relieves suction and allows assembly to slide out more easily.

2. Fill drum with bulk grease (see **Specifications** on **Page 1**), ensuring that no air pockets remain.
3. Slide lid assembly back into grease drum, making sure follower plate is seated evenly against side of drum body to prevent air pockets from forming (see **Figure 5**).



**Figure 5.** Follower plate seated evenly against drum body.

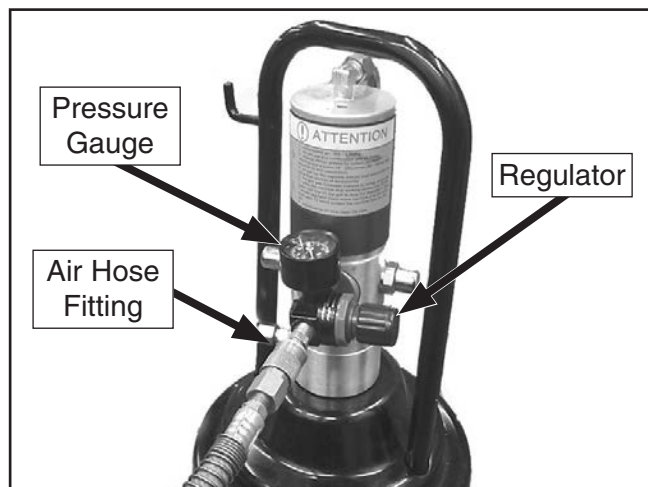
4. Once lid assembly is fully seated, secure with latches.



## Operation

1. Connect grease pump to compressed air regulated at 90–115 PSI (see **Figure 6**).

**Note:** To alter pressure setting on pump, pull regulator cap out. Turn left to decrease pressure; turn right to increase pressure. Push cap back in when finished.



**Figure 6.** Primary components of pneumatic pump.

2. Squeeze grease gun trigger once or twice to expel any contaminants or old grease. Allow just enough grease to escape to ensure it is clean, then wipe off with rag.
3. Insert tip of grease gun into fitting to be lubricated, then squeeze trigger to inject grease.
4. Once desired amount of grease has been injected into fitting, release trigger.
5. When finished, disconnect compressed air source.

## **!WARNING**

**Do not disconnect grease gun or high-pressure hose while grease pump is connected to air source. Serious personal injury can result otherwise.**

## Maintenance

Clean and lubricate the pneumatic pump and grease gun on a regular basis to ensure safe and efficient operation. When not in use, the high-pressure hose and grease gun should be disconnected from the grease pump. The grease pump should be stored away from direct heat, in a dry area with good ventilation.

## **!WARNING**

**Do not perform maintenance on pump until it has been disconnected from air source. Exposure to air under high pressure can cause serious personal injury.**

## Cleaning

After each use, hold down grease gun trigger to ensure that all grease has been expelled. Then remove tip of grease gun and wipe down all parts.

## Lubrication

Weekly, put 2 oz. of air-pump lubricant in the air inlet hole (see **Figure 7**).



**Figure 7.** Location of air inlet hole where air-pump lubricant is added.

Connect pneumatic pump to air source and allow to run for several minutes until internal parts are fully lubricated.



## Troubleshooting

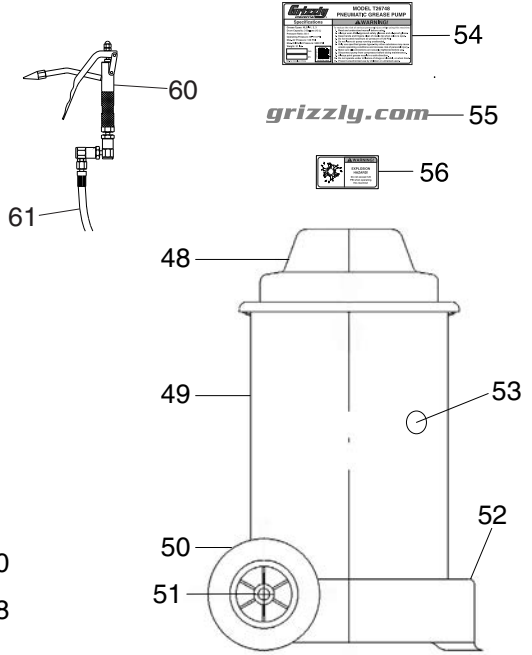
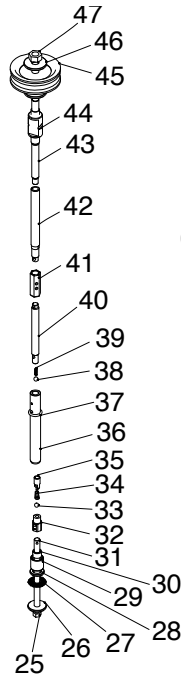
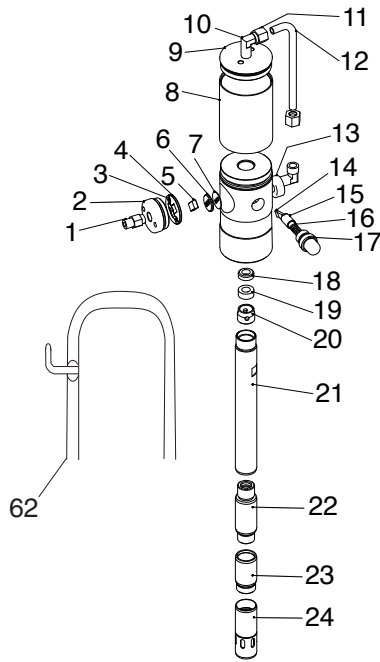
Review the troubleshooting and procedures in this section if a problem develops with your machine. If you need replacement parts or additional help with a procedure, call our Technical Support at (570) 546-9663.

**Note:** *Please gather the serial number and manufacture date of your machine before calling.*

Symptom	Possible Cause	Possible Solution
Grease not pumping through gun.	<ol style="list-style-type: none"> <li>1. Blockage in grease gun.</li> <li>2. Air pocket in grease drum.</li> <li>3. Not enough grease in drum.</li> </ol>	<ol style="list-style-type: none"> <li>1. Disassemble and clean gun assembly.</li> <li>2. Remove lid assembly, then slowly re-insert; keep follower plate square to grease drum.</li> <li>3. Refill drum with more grease.</li> </ol>
Grease pumping slowly from gun.	<ol style="list-style-type: none"> <li>1. Grease is too heavy (thick).</li> <li>2. Insufficient air pressure.</li> <li>3. Pump/air source leaks.</li> <li>4. Obstruction in grease gun.</li> <li>5. Obstruction between check valve and air inlet valve.</li> </ol>	<ol style="list-style-type: none"> <li>1. Add 8–10 oz. of SAE 40 or similar oil to grease drum; use lighter weight grease.</li> <li>2. Check air source for correct psi: 90–115.</li> <li>3. Tighten fittings.</li> <li>4. Disassemble grease gun and clean thoroughly.</li> <li>5. Disassemble grease inlet valve and clean thoroughly.</li> </ol>
Grease leaking at outlet/hose connection.	<ol style="list-style-type: none"> <li>1. Loose hose connection.</li> </ol>	<ol style="list-style-type: none"> <li>1. Tighten hose on outlet connection.</li> </ol>
Grease leaking at gun/hose connection.	<ol style="list-style-type: none"> <li>1. Loose grease gun connection.</li> </ol>	<ol style="list-style-type: none"> <li>1. Tighten grease gun fitting on hose.</li> </ol>
Grease leaking from swivel connector on grease gun handle.	<ol style="list-style-type: none"> <li>1. Blown O-ring.</li> </ol>	<ol style="list-style-type: none"> <li>1. Replace O-ring.</li> </ol>
Pump continues to run after grease gun trigger is released.	<ol style="list-style-type: none"> <li>1. Grease drum is empty.</li> <li>2. Leak in hose/gun.</li> <li>3. Valve not closing due to dirt or wear.</li> </ol>	<ol style="list-style-type: none"> <li>1. Refill drum with grease.</li> <li>2. Check all connections; tighten or repair.</li> <li>3. Disassemble and clean valves.</li> </ol>



# Parts



REF	PART #	DESCRIPTION
1	PT26748001	AIR TUBE
2	PT26748002	COVER
3	PT26748003	PLATE SPRING
4	PT26748004	POSITION PLATE
5	PT26748005	SLIDER
6	PT26748006	GASKET
7	PT26748007	SOFT GASKET
8	PT26748008	AIR MOTOR SHELL
9	PT26748009	AIR MOTOR COVER
10	PT26748010	ELBOW 90 DEGREE
11	PT26748011	COMPRESSION NUT M16-1.5
12	PT26748012	AIR TUBE
13	PT26748013	MUFFLER
14	PT26748014	TRIP SHOE GUIDE
15	PT26748015	SPRING SEAT
16	PT26748016	COMPRESSION SPRING
17	PT26748017	SPRING SHELL
18	PT26748018	GASKET 22MM
19	PT26748019	VALVE SEAL 12MM
20	PT26748020	CONNECTOR
21	PT26748021	CONNECTING TUBE
22	PT26748022	PISTON SHELL
23	PT26748023	VALVE SEAT
24	PT26748024	SUCTION TUBE
25	PT26748025	HEX NUT M6-1
26	PT26748026	DOCK WASHER 6MM
27	PT26748027	RUBBER WASHER 6MM
28	PT26748028	VALVE RING
29	PT26748029	VALVE
30	PT26748030	SEAL

REF	PART #	DESCRIPTION
31	PT26748031	CONNECTING ROD
32	PT26748032	VALVE CONNECTOR
33	PT26748033	STEEL BALL 6MM
34	PT26748034	COMPRESSION SPRING
35	PT26748035	SPRING SEAT
36	PT26748036	PISTON
37	PT26748037	O-RING 14 X 2.65
38	PT26748038	STEEL BALL 6MM
39	PT26748039	COMPRESSION SPRING
40	PT26748040	CONNECTING ROD
41	PT26748041	ADJUSTMENT NUT
42	PT26748042	CONNECTING ROD
43	PT26748043	PISTON ROD
44	PT26748044	SLEEVE
45	PT26748045	PISTON
46	PT26748046	FENDER WASHER 10MM
47	PT26748047	HEX NUT M10-1
48	PT26748048	LID
49	PT26748049	DRUM
50	PT26748050	WHEEL
51	PT26748051	EXT RETAINING RING 12MM
52	PT26748052	BASE
53	PT26748053	GRIZZLY GREEN TOUCH-UP PAINT
54	PT26748054	MACHINE ID LABEL
55	PT26748055	GRIZZLY.COM LABEL
56	PT26748056	EXPLOSION HAZARD LABEL
60	PT26748060	GREASE GUN
61	PT26748061	HIGH PRESSURE HOSE 7500-PSI
62	PT26748062	HANDLE

**Please Note:** We do our best to stock replacement parts whenever possible, but we cannot guarantee that all parts shown here are available for purchase. Call (800) 523-4777 or visit our online parts store at [www.grizzly.com](http://www.grizzly.com) to check for availability.



# *grizzly.com*<sup>®</sup>

**TOOL WEBSITE**

Buy Direct and Save with Grizzly<sup>®</sup> – Trusted, Proven and a Great Value!  
~Since 1983~

*Visit Our Website Today For  
Current Specials!*

**ORDER  
24 HOURS A DAY!  
1-800-523-4777**

