



MODEL T27877 96" 24-DRAWER TOOL CABINET INSTRUCTIONS

For questions or help with this product contact Tech Support at (570) 546-9663 or techsupport@grizzly.com

Introduction

The Model T27877 24-Drawer Tool Cabinet requires some assembly. Follow instructions below for assembly, operation, and maintenance.



Figure 1. Model T27877.

Inventory

Qty

- Tool Cabinet with Drawers..... 1
- Handles 2
- Keys..... 2
- Hex Bolts 1/4"-20 x 1/2" 8

Assembly

Attach handles to each side of tool cabinet using (4) 1/4"-20 x 1/2" hex bolts (see **Figure 2**). **Do not over-tighten!**

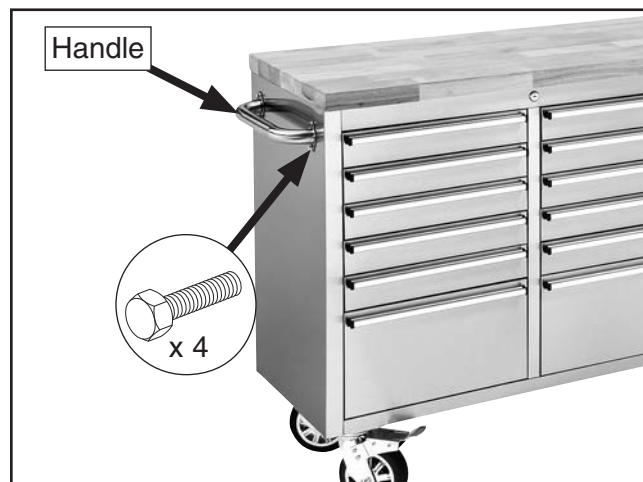


Figure 2. Handle installed.

! WARNING

- To reduce risk of crushing injuries from tool cabinet tipping over on you:
 - Do not stand on cabinet or in drawers.
 - Push cabinet only. Do not pull it.
 - Only open one drawer at a time.
 - Only move or transport cabinet with all drawers closed and locked.
- Do not exceed weight capacities:
 - Max individual drawer weight limit is 100 lbs.
 - Max tool cabinet weight limit (including contents) is 1500 lbs.
- To prevent accidental rolling, always lock brakes after moving cabinet.
- Do not allow children to have unsupervised access to cabinet.

Locking Drawers

Use the included key to secure the drawers. Only completely closed drawers lock.

Locking Caster

To lock caster, press down on the caster lock (see **Figure 3**). Secure each corner caster to ensure tool cabinet will not shift position.

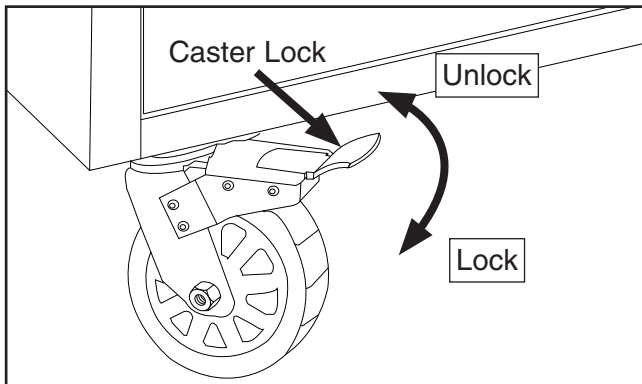


Figure 3. Location of caster lock.

Removing & Installing Drawers

The drawers can be removed and re-installed if necessary.

To remove drawers:

1. Fully extend drawer and remove contents.
2. Push left locking tab down and hold, then pull right locking tab up and hold (see **Figure 4**).

Note: Large bottom drawers feature two guides per side.

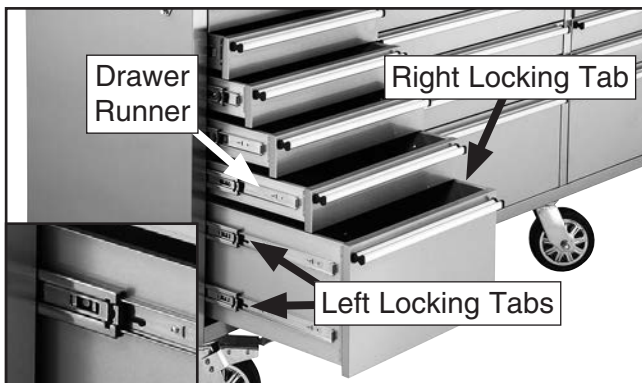


Figure 4. Location of drawer locking tabs.

3. Pull drawer out to remove.
4. To re-install, insert drawer runners into slides and push drawer completely in. The locking tabs will automatically snap into place to secure the drawer in the slides.

Maintenance

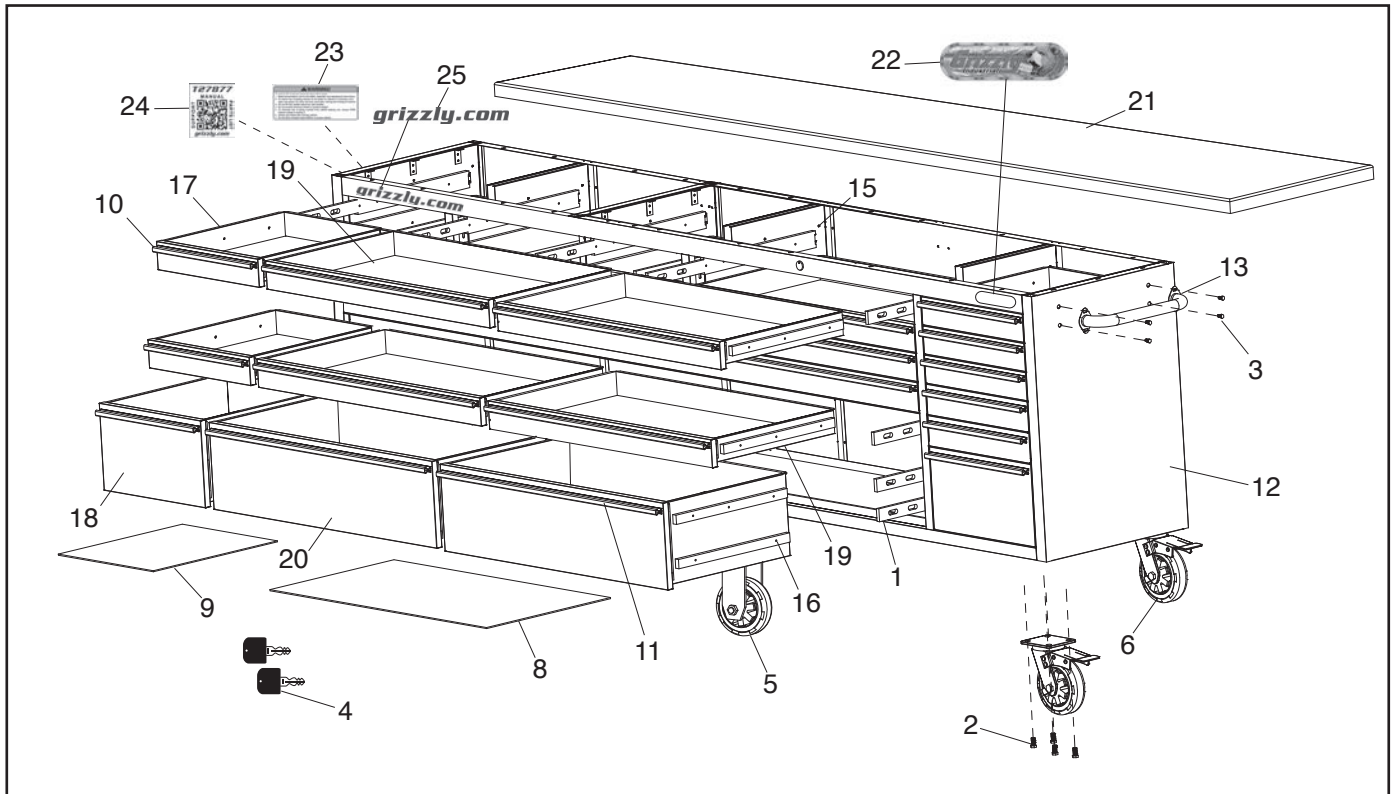
- Use soft, clean cloth and soapy water (use regular dish soap) to remove grease, dirt, or oil. Do not use solvents or flammable cleaning liquids.
- Lubricate drawer slides as needed with dry lubricant (see **Figure 5**).
- Use graphite to lubricate lock annually.



Figure 5. G4682 Sprayway Dry Coating Lube.



T27877 Parts Breakdown & List



REF	PART #	DESCRIPTION
1	PT27877001	DRAWER SLIDE SET
2	PT27877002	HEX BOLT 3/8-16 X 1
3	PT27877003	HEX BOLT 1/4-20 X 1/2
4	PT27877004	LOCK SET W/2 KEYS
5	PT27877005	CASTER, 6" FIXED
6	PT27877006	CASTER, 6" SWIVEL W/BRAKE
8	PT27877008	CENTER DRAWER LINER
9	PT27877009	OUTER DRAWER LINER
10	PT27877010	OUTER DRAWER HANDLE
11	PT27877011	CENTER DRAWER HANDLE
12	PT27877012	CABINET BODY
13	PT27877013	HANDLE

REF	PART #	DESCRIPTION
15	PT27877015	RIVET 3.8 X 6MM (ALUMINUM)
16	PT27877016	RIVET 4 X 6MM (ALUMINUM)
17	PT27877017	SMALL DRAWER (OUTER)
18	PT27877018	LARGE DRAWER (OUTER)
19	PT27877019	SMALL DRAWER (CENTER)
20	PT27877020	LARGE DRAWER (CENTER)
21	PT27877021	WOOD TOP
22	PT27877022	GRIZZLY NAMEPLATE
23	PT27877023	WARNING LABEL
24	PT27877024	QR CODE LABEL
25	PT27877025	GRIZZLY.COM LABEL (RED)

Please Note: We do our best to stock replacement parts whenever possible, but we cannot guarantee that all parts shown here are available for purchase. Call (800) 523-4777 or visit our online parts store at www.grizzly.com to check for availability.



grizzly.com[®]

TOOL WEBSITE

Buy Direct and Save with Grizzly[®] – Trusted, Proven and a Great Value!
~Since 1983~

*Visit Our Website Today For
Current Specials!*

**ORDER
24 HOURS A DAY!
1-800-523-4777**

