



MODEL T27880 72" 15-DRAWER TOOL CABINET INSTRUCTIONS

For questions or help with this product contact Tech Support at (570) 546-9663 or techsupport@grizzly.com

Introduction

The Model T27880 15-Drawer Tool Cabinet requires some assembly. Follow instructions below for assembly, operation, and maintenance.



Figure 1. Model T27880.

⚠ WARNING

- To reduce risk of crushing injuries from tool cabinet tipping over on you:
 - Do not stand on cabinet or in drawers.
 - Push cabinet only. Do not pull it.
 - Only open one drawer at a time.
 - Only move or transport cabinet with all drawers closed and locked.
- Do not exceed weight capacities:
 - Max individual drawer weight limit is 100 lbs.
 - Max tool cabinet weight limit (including contents) is 1000 lbs.
- To prevent accidental rolling, always lock brakes after moving cabinet.
- Do not allow children to have unsupervised access to cabinet.

Inventory

Qty

- Tool Cabinet w/Drawers..... 1
- Fixed Casters 2
- Swivel Casters w/Brake..... 2
- Handles 2
- Keys..... 2
- Hex Bolts 1/4"-20 x 1/2" 8
- Hex Bolts 3/8"-16 x 1" 16

Assembly

Attach handles to each side of tool cabinet using (4) 1/4"-20 x 1/2" hex bolts (see **Figure 2**). **Do not over-tighten!**

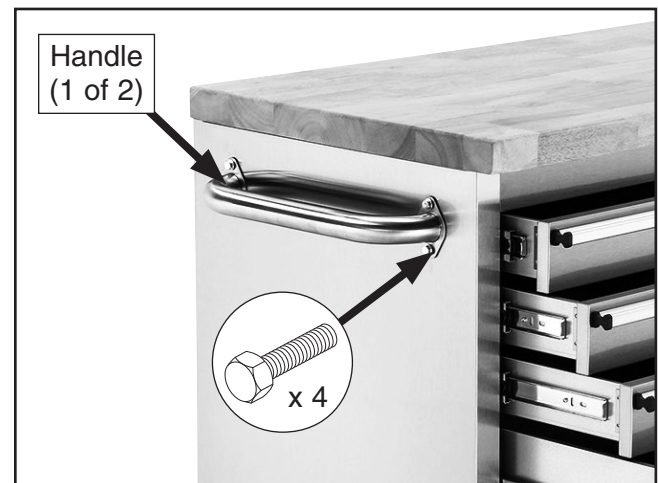


Figure 2. Handle installed.

To install casters:

1. Remove casters and hardware from bottom drawer.
2. With help from another person, lay back of cabinet flat on floor.

Note: We recommend sweeping the floor clean and laying down a piece of cardboard or blanket to prevent scratching the finish during this step.

3. Attach each caster using (4) $\frac{3}{8}$ "-16 x 1" hex bolts (see **Figure 3**).

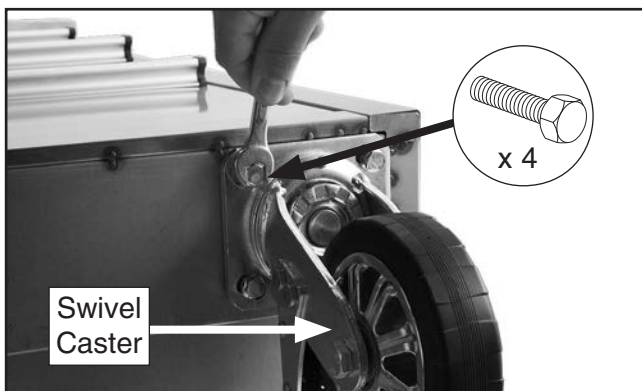


Figure 3. Example of caster installation.

4. Return tool cabinet to upright position.

Locking Caster

To lock caster, press down on caster lock (see **Figure 4**). Secure each corner caster to ensure tool cabinet will not shift position.

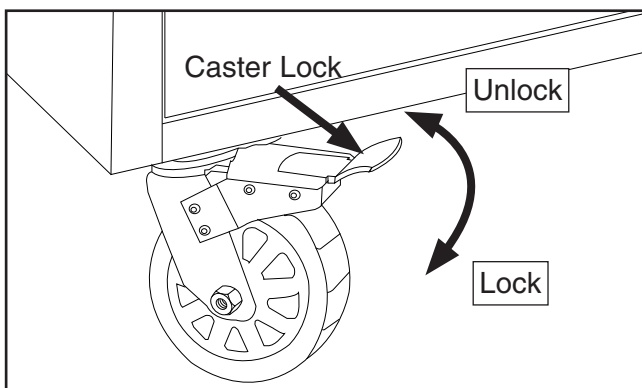


Figure 4. Location of caster lock.

Removing and Installing Drawers

The drawers can be removed and re-installed if necessary.

To remove drawers:

1. Fully extend drawer and remove contents.
2. Push left locking tab down and hold, then pull right locking tab up and hold (see **Figure 5**).

Note: Larger lower drawers feature two guides per side.

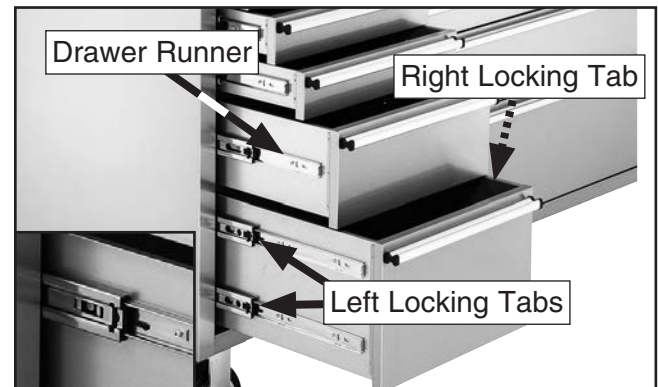


Figure 5. Location of drawer locking tabs.

3. Pull drawer out to remove.
4. To re-install, insert drawer runners into slides and push drawer completely in. The locking tabs will automatically snap into place to secure the drawer in the slides.

Locking Drawers

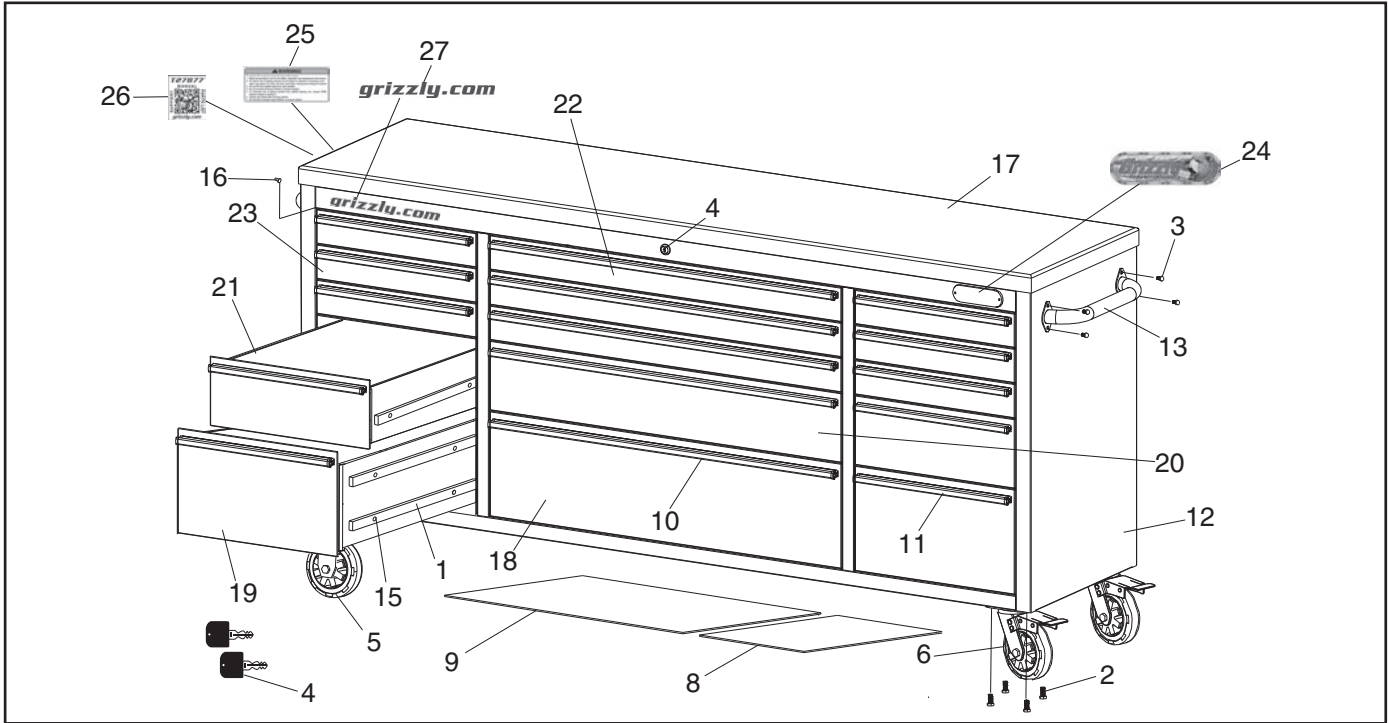
Use the included key to secure the drawers. Only completely closed drawers will lock.

Maintenance

- Use soft, clean cloth and soapy water (use regular dish soap) to remove grease, dirt, or oil. Do not use solvents or flammable cleaning liquids.
- Lubricate drawer slides as needed with dry lubricant, such as Grizzly's G4682 Spraway Dry Coating Lube.
- Use graphite to lubricate lock annually.



T27880 Parts Breakdown & List



REF PART #	DESCRIPTION
1	PT27880001 DRAWER SLIDE SET
2	PT27880002 HEX BOLT 3/8-16 X 1
3	PT27880003 HEX BOLT 1/4-20 X 1/2
4	PT27880004 LOCK SET W/2 KEYS
5	PT27880005 CASTER, 6" FIXED
6	PT27880006 CASTER, 6" SWIVEL W/BRAKE
8	PT27880008 DRAWER LINER (OUTER)
9	PT27880009 DRAWER LINER (CENTER)
10	PT27880010 DRAWER PULL (CENTER)
11	PT27880011 DRAWER PULL (OUTER)
12	PT27880012 CABINET BODY
13	PT27880013 HANDLE
15	PT27880015 RIVET 3.8 X 6MM (ALUMINUM)

REF PART #	DESCRIPTION
16	PT27880016 RIVET 4 X 6MM (ALUMINUM)
17	PT27880017 WOOD TOP
18	PT27880018 LOWER DRAWER (CENTER)
19	PT27880019 LOWER DRAWER (OUTER)
20	PT27880020 MIDDLE DRAWER (CENTER)
21	PT27880021 MIDDLE DRAWER (OUTER)
22	PT27880022 UPPER DRAWER (CENTER)
23	PT27880023 UPPER DRAWER (OUTER)
24	PT27880024 GRIZZLY NAMEPLATE
25	PT27880025 WARNING LABEL
26	PT27880026 QR CODE LABEL
27	PT27880027 GRIZZLY.COM LABEL (RED)

Please Note: We do our best to stock replacement parts whenever possible, but we cannot guarantee that all parts shown here are available for purchase. Call (800) 523-4777 or visit our online parts store at www.grizzly.com to check for availability.



grizzly.com[®]

TOOL WEBSITE

Buy Direct and Save with Grizzly[®] – Trusted, Proven and a Great Value!
~Since 1983~

*Visit Our Website Today For
Current Specials!*

**ORDER
24 HOURS A DAY!
1-800-523-4777**

