



# MODEL T27948 2-DOOR TOOL CABINET INSTRUCTIONS

For questions or help with this product contact Tech Support at (570) 546-9663 or techsupport@grizzly.com

## Introduction

The Model T27948 2-Door Tool Cabinet requires some assembly. Follow the instructions below for assembly, operation, and maintenance.



Figure 1. Model T27948.

## Inventory

## Qty

- Tool Cabinet with Shelves ..... 1
- Cabinet Feet ..... 4
- Keys ..... 2

## Assembly

The Model T27948 comes with four adjustable feet for leveling the cabinet.

### To install feet:

1. With help from another person, lay cabinet upside down on floor (see **Figure 2**).

**Note:** We recommend sweeping the floor clean and laying down a piece of cardboard or a blanket to prevent scratching the finish during this step.

2. Install one adjustable foot in each corner (see **Figure 2**).

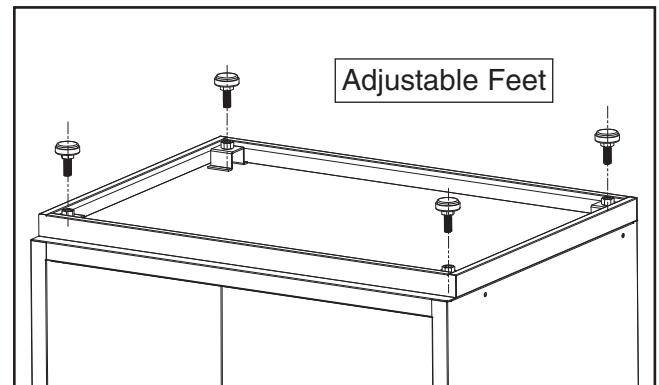


Figure 2. Location of adjustable feet.

3. To prevent tipping or rocking, level the cabinet body by rotating the cabinet feet up or down as needed.

## **!WARNING**

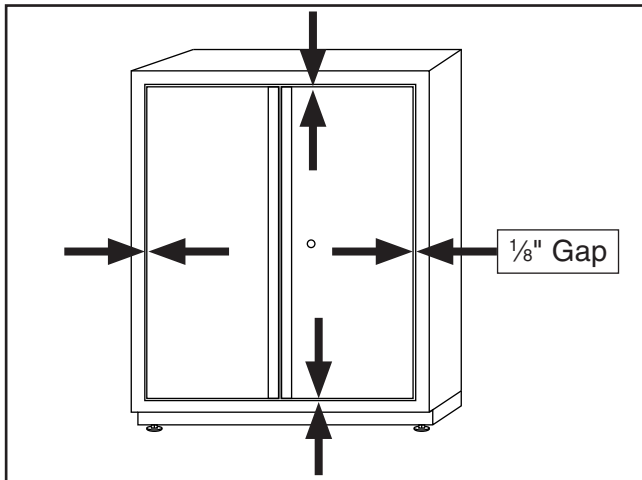
- To reduce risk of crushing injuries from tool cabinet tipping over on you:
  - Do not stand on cabinet.
  - Only move or transport cabinet with all doors closed and locked.
  - Push cabinet only (do not pull it) when moving.
- Do not exceed weight capacities:
  - Max individual shelf weight limit is 325 lbs.
  - Max total tool cabinet weight limit (including contents) is 650 lbs.
- To prevent accidental tipping, ensure adjustable feet are down and cabinet body is level.
- Do not allow children to have unsupervised access to cabinet.

## Adjusting Doors

Each 90° soft-close door hinge is riveted in place. However, the doors may be adjusted inward or outward, and left or right, as needed.

### To adjust doors:

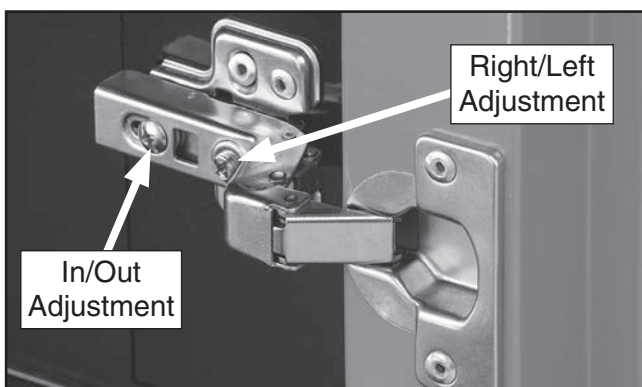
1. Close door and visually confirm gap spacing around door edge is  $\frac{1}{8}$ " all the way around (see **Figure 3**).
  - If door spacing is equal, no adjustments are needed.
  - If door spacing is not equal, proceed to **Step 2**.



**Figure 3.** Checking door gap spacing.

2. Adjust door hinges using screws shown in **Figure 4**.

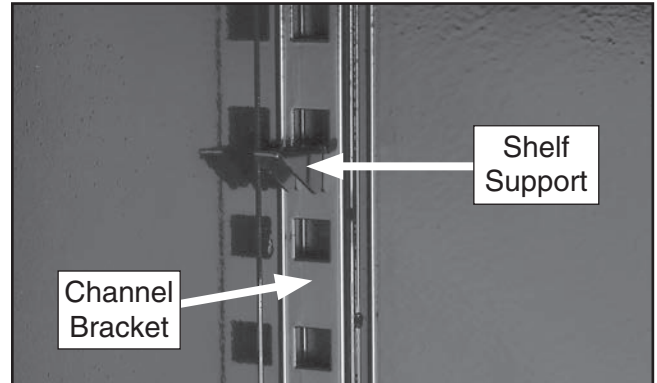
**Note:** Only small adjustments, such as  $\frac{1}{8}$  or  $\frac{1}{4}$  turn at a time, are required to move door position. Check spacing after each adjustment.



**Figure 4.** Hinge adjustments.

## Installing Shelf Supports

Each shelf comes with four shelf supports, which fit into the channel brackets inside the cabinet (see **Figure 5**), making the height of each shelf adjustable. (Shelf supports must be mounted evenly to function properly.)



**Figure 5.** Shelf support and channel bracket.

## Maintenance

- Use a soft, clean cloth and soapy water (use regular dish soap) to remove grease, dirt, or oil. Do not use solvents or flammable cleaning liquids.
- Use graphite to lubricate lock annually.

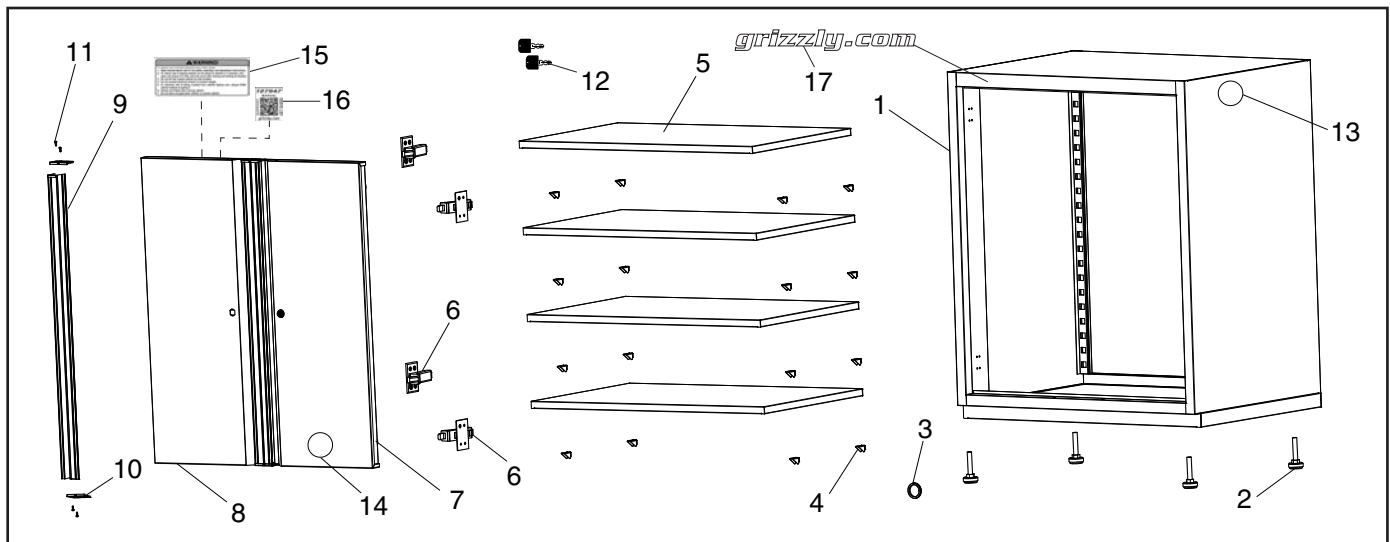


# Grizzly Cabinet Series

The T27948 2-Door Tool Cabinet is part of our heavy-duty 10-piece storage set. These modular cabinets will enhance storage and workspace in the shop or garage, and they can be mixed and matched to create a variety of storage solutions.



## Parts Breakdown & List



REF	PART #	DESCRIPTION
1	PT27948001	CABINET BODY
2	PT27948002	ADJUSTABLE FEET M12-1.75 X 30
3	PT27948003	CABLE GROMMET
4	PT27948004	SHELF SUPPORT
5	PT27948005	SHELF
6	PT27948006	HINGE, 90-DEG SOFT-CLOSE
7	PT27948007	DOOR (RIGHT)
8	PT27948008	DOOR (LEFT)
9	PT27948009	DOOR HANDLE

REF	PART #	DESCRIPTION
10	PT27948010	DOOR HANDLE CAP
11	PT27948011	FLAT HD SCR M4-.7 X 8
12	PT27948012	LOCK W/2 KEYS
13	PT27948013	TOUCH-UP PAINT, GLOSSY BLACK
14	PT27948014	TOUCH-UP PAINT, RED
15	PT27948015	WARNING LABEL
16	PT27948016	QR CODE LABEL
17	PT27948017	GRIZZLY.COM LABEL, GOLD

**Please Note:** We do our best to stock replacement parts whenever possible, but we cannot guarantee that all parts shown here are available for purchase. Call (800) 523-4777 or visit our online parts store at [www.grizzly.com](http://www.grizzly.com) to check for availability.



# *grizzly.com*<sup>®</sup>

**TOOL WEBSITE**

Buy Direct and Save with Grizzly<sup>®</sup> – Trusted, Proven and a Great Value!  
~Since 1983~

*Visit Our Website Today For  
Current Specials!*

**ORDER  
24 HOURS A DAY!  
1-800-523-4777**

