



MODEL T27950 SINGLE-DOOR CLOSET CABINET INSTRUCTIONS

For questions or help with this product contact Tech Support at (570) 546-9663 or techsupport@grizzly.com

Introduction

The Model T27950 Single-Door Closet Cabinet requires some assembly. Follow the instructions below for assembly, operation, and maintenance.



Figure 1. Model T27950.

! WARNING

- To reduce risk of crushing injuries from tool cabinet tipping over on you:
 - Do not stand on cabinet.
 - Only move or transport cabinet with door closed and locked.
 - Push cabinet only (do not pull it) when moving.
- Do not exceed weight capacities:
 - Max individual shelf weight limit is 275 lbs.
 - Max total tool cabinet weight limit (including contents) is 1100 lbs.
- To prevent accidental tipping, ensure adjustable feet are down and cabinet body is level.
- Do not allow children to have unsupervised access to cabinet.

Inventory

Qty

- Cabinet with Shelves..... 1
- Cabinet Feet..... 4
- Keys..... 2

Assembly

The Model T27950 comes with four adjustable feet for leveling the cabinet.

To install feet:

1. With help from another person, lay cabinet upside down on floor (see **Figure 2**).

Note: We recommend sweeping the floor clean and laying down a piece of cardboard or a blanket to prevent scratching the finish during this step.

2. Install one adjustable foot in each corner (see **Figure 2**).

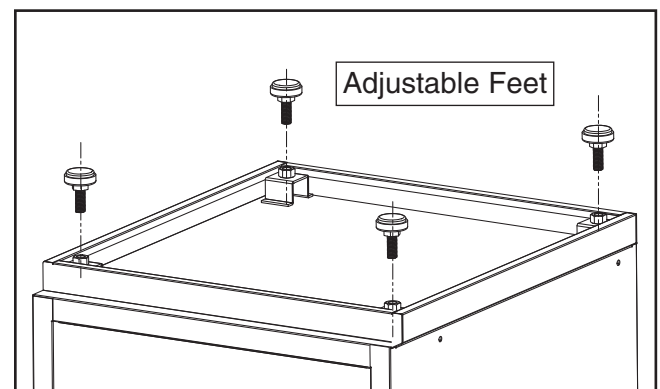


Figure 2. Location of adjustable feet.

3. To prevent tipping or rocking, level the cabinet body by rotating the cabinet feet up or down as needed.

Adjusting Doors

Each 90° soft-close door hinge is riveted in place. However, the doors may be adjusted inward or outward, and left or right, as needed.

To adjust doors:

1. Close door and visually confirm gap spacing around door edge is $\frac{1}{8}$ " all the way around (see **Figure 3**).

—If door spacing *is* equal, no adjustments are needed.

—If door spacing *is not* equal, proceed to **Step 2**.

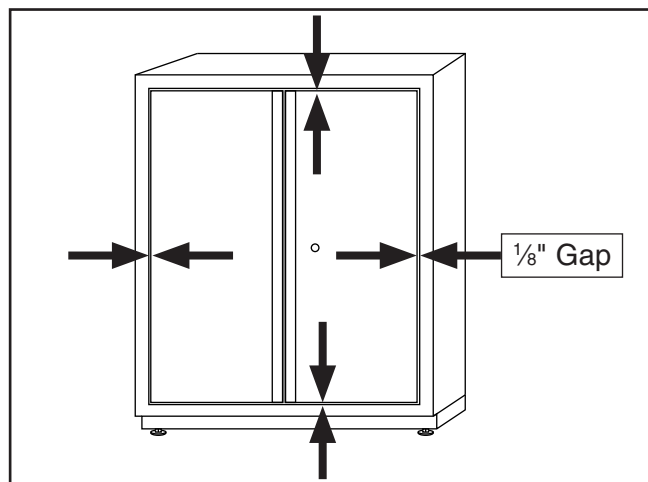


Figure 3. Checking door gap spacing.

2. Adjust door hinges using screws shown in **Figure 4**.

Note: Only small adjustments, such as $\frac{1}{8}$ or $\frac{1}{4}$ turn at a time, are required to move door position. Check spacing after each adjustment.

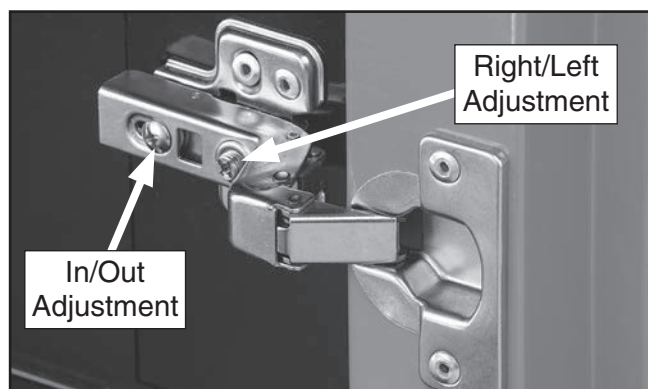


Figure 4. Hinge adjustments.

Mounting

To mount, locate wall studs at desired mounting location. Pre-drill (2) $\frac{1}{4}$ " mounting holes into wall cabinet to align with each stud, and secure cabinet to the wall (see **Figure 5**). Due to the load capacity of the cabinet, always mount directly to wall studs!

Hardware Needed

Qty

- Socket Wrench $\frac{3}{8}$ " 1
- Flat Washers $\frac{1}{4}$ " 2
- Lag Screw $\frac{1}{4}$ "-20 x 1" 2

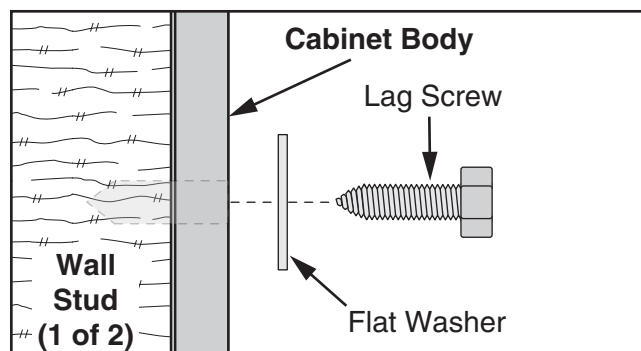


Figure 5. Mounting cabinet to wall.

Installing Shelf Supports

Each shelf comes with four shelf supports, which fit into the channel brackets inside the cabinet (see **Figure 6**), making the height of each shelf adjustable. (Shelf supports must be mounted evenly to function properly.)

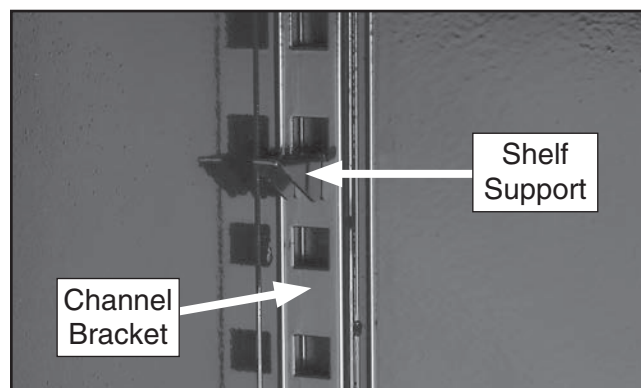


Figure 6. Shelf support and channel bracket.

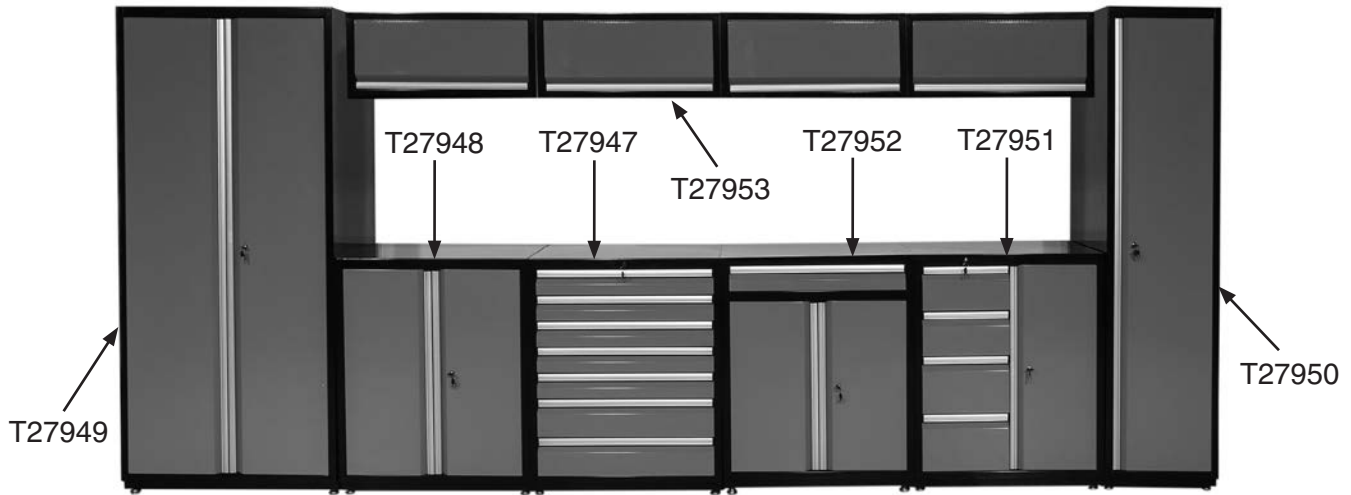
Maintenance

- Use a soft, clean cloth and soapy water (use regular dish soap) to remove grease, dirt, or oil. Do not use solvents or flammable cleaning liquids.
- Use graphite to lubricate lock annually.

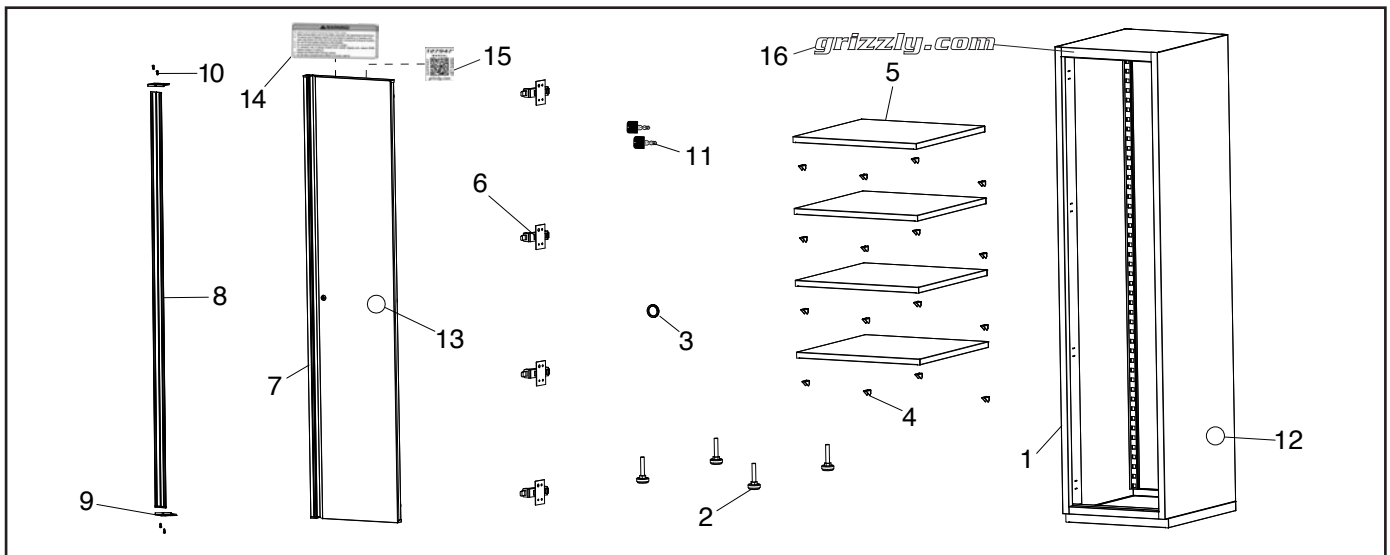


Grizzly Cabinet Series

The T27950 Single-Door Closet Cabinet is part of our heavy-duty 10-piece storage set. These modular cabinets will enhance storage and workspace in the shop or garage, and they can be mixed and matched to create a variety of storage solutions.



Parts Breakdown & List



REF	PART #	DESCRIPTION
1	PT27950001	CABINET BODY
2	PT27950002	ADJUSTABLE FEET M12-1.75 X 30
3	PT27950003	CABLE GROMMET
4	PT27950004	SHELF SUPPORT
5	PT27950005	SHELF
6	PT27950006	HINGE, 90-DEG SOFT-CLOSE
7	PT27950007	DOOR
8	PT27950008	DOOR HANDLE

REF	PART #	DESCRIPTION
9	PT27950009	DOOR HANDLE CAP
10	PT27950010	FLAT HD SCR M4-.7 X 8
11	PT27950011	LOCK W/2 KEYS
12	PT27950012	TOUCH-UP PAINT, GLOSSY BLACK
13	PT27950013	TOUCH-UP PAINT, RED
14	PT27950014	WARNING LABEL
15	PT27950015	QR CODE LABEL
16	PT27950016	GRIZZLY.COM LABEL, GOLD

Please Note: We do our best to stock replacement parts whenever possible, but we cannot guarantee that all parts shown here are available for purchase. Call (800) 523-4777 or visit our online parts store at www.grizzly.com to check for availability.



grizzly.com[®]
TOOL WEBSITE

Buy Direct and Save with Grizzly[®] – Trusted, Proven and a Great Value!
~Since 1983~

*Visit Our Website Today For
Current Specials!*

**ORDER
24 HOURS A DAY!
1-800-523-4777**

