



# MODEL T27953 HANGING WALL CABINET INSTRUCTIONS

For questions or help with this product contact Tech Support at (570) 546-9663 or techsupport@grizzly.com

## Introduction

The Model T27953 Hanging Wall Cabinet does not require assembly. The Model T27953 Hanging Wall Cabinet can be mounted directly to wall studs or another cabinet unit. (Mounting hardware not included.)

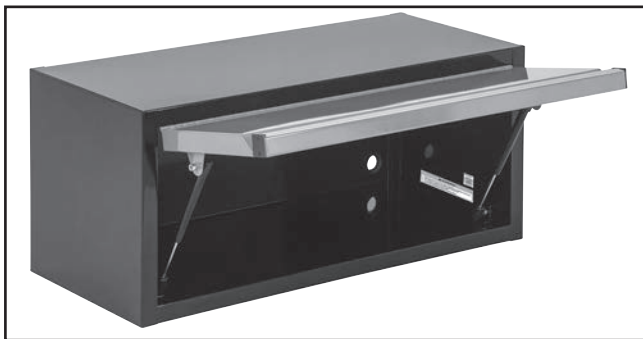


Figure 1. Model T27953.

## Mounting

To mount, locate wall studs at desired mounting location. Pre-drill (2) 1/4" mounting holes into wall cabinet to align with each stud, and secure cabinet to the wall (see **Figure 2**). Due to the load capacity of the cabinet, always mount directly to wall studs!

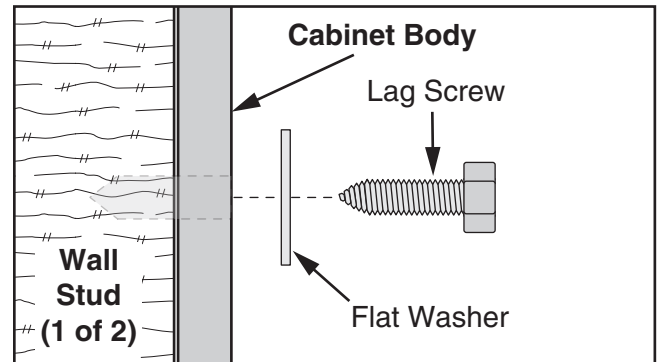


Figure 2. Mounting cabinet to wall.

## Inventory

- Hanging Wall Cabinet..... 1

## Qty

## Tool & Hardware Needed

- Socket Wrench 3/8"..... 1
- Flat Washers 1/4" (wall mount)..... 2
- Lag Screw 1/4"-20 x 1" (wall mount)..... 2
- Hex Bolt 1/4"-20 x 1" (cabinet mount)..... 2
- Hex Nut 1/4"-20 (cabinet mount) ..... 2
- Lock Washer 1/4" (cabinet mount) ..... 2
- Flat Washer 1/4" (cabinet mount) ..... 4

## Qty

If mounting multiple cabinets, ensure all cabinets are properly mounted to the wall and to one another (see **Figure 3**), or cabinets may become unstable and have an increased risk of tipping.

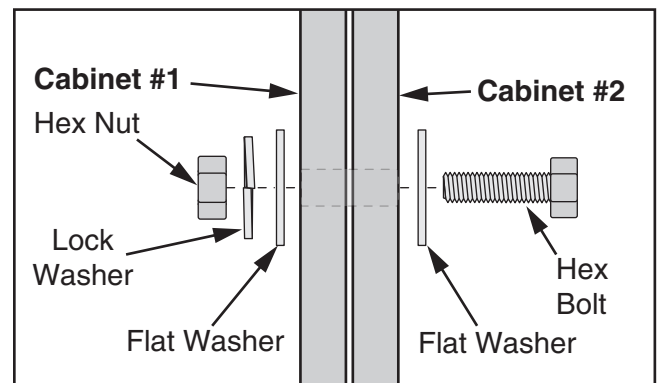


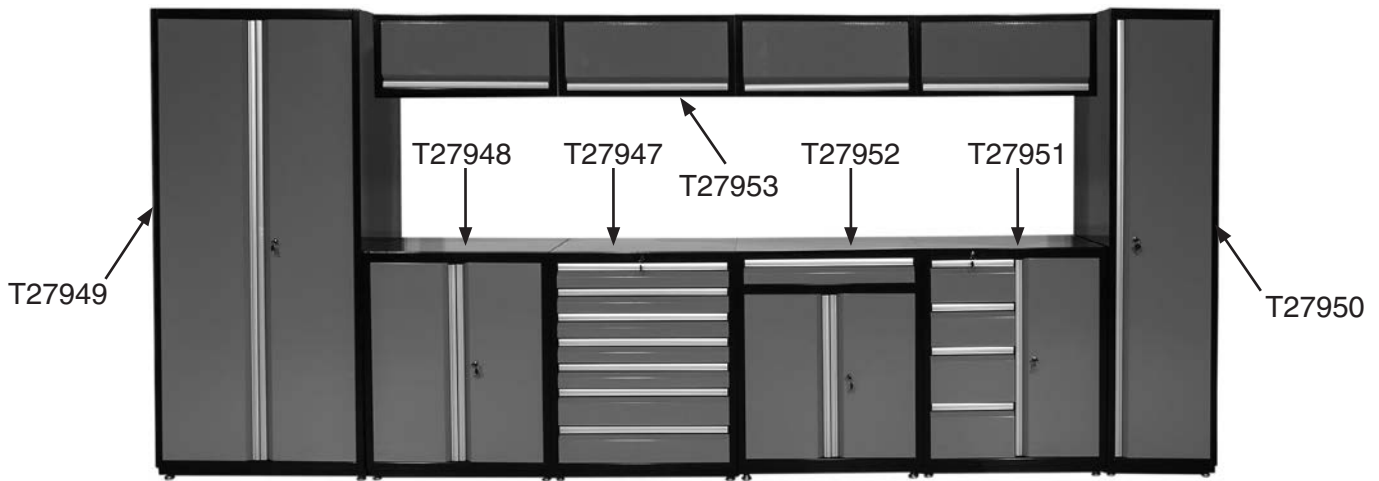
Figure 3. Mounting cabinet to another cabinet.

## ⚠ WARNING

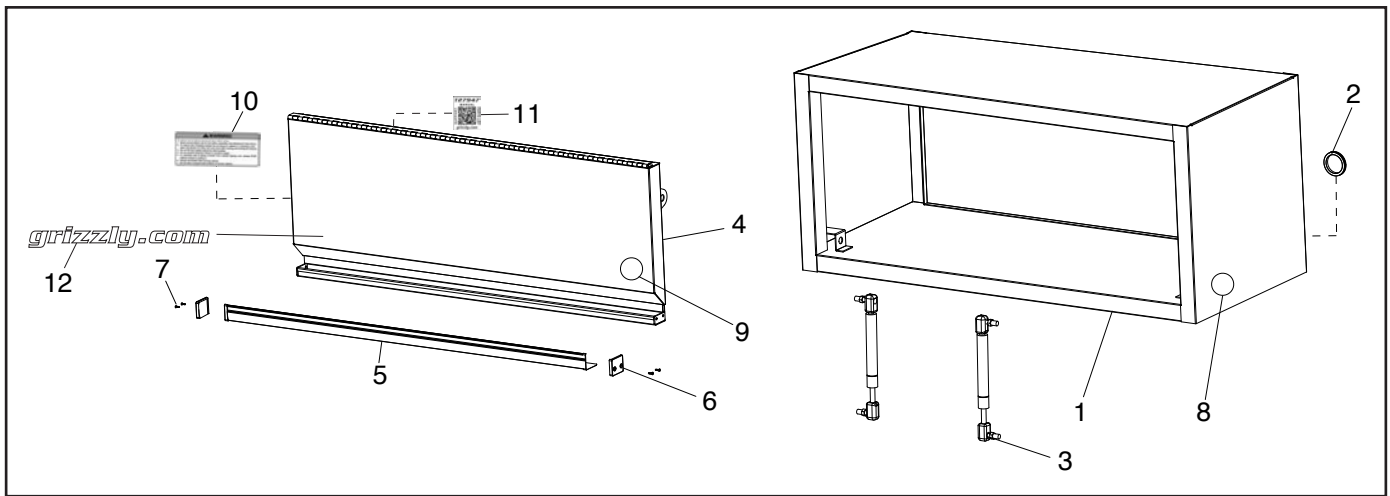
- To reduce risk of injuries from tool cabinet:
  - Do not stand on cabinet.
  - Only move or transport cabinet with door closed.
- Do not exceed weight capacities:
  - Max weight limit is 100 lbs.

# Grizzly Cabinet Series

The T27953 Hanging Wall Cabinet is part of our heavy-duty 10-piece storage set. These modular cabinets will enhance storage and workspace in the shop or garage, and they can be mixed and matched to create a variety of storage solutions.



## Parts Breakdown & List



REF	PART #	DESCRIPTION
1	PT27953001	CABINET BODY
2	PT27953002	CABLE GROMMET
3	PT27953003	GAS SPRING
4	PT27953004	DOOR
5	PT27953005	DOOR HANDLE
6	PT27953006	DOOR HANDLE CAP

REF	PART #	DESCRIPTION
7	PT27953007	FLAT HD SCR M4-.7 X 8
8	PT27953008	TOUCH-UP PAINT, GLOSSY BLACK
9	PT27953009	TOUCH-UP PAINT, RED
10	PT27953010	WARNING LABEL
11	PT27953011	QR CODE LABEL
12	PT27953012	GRIZZLY.COM LABEL, GOLD

**Please Note:** We do our best to stock replacement parts whenever possible, but we cannot guarantee that all parts shown here are available for purchase. Call (800) 523-4777 or visit our online parts store at [www.grizzly.com](http://www.grizzly.com) to check for availability.

