



MODEL T28931 36" X 24" TILTING WELDING TABLE INSTRUCTIONS

For questions or help with this product contact Tech Support at (570) 546-9663 or techsupport@grizzly.com

Introduction

The T28931 Tilting Welding Table has a load capacity of 350 lbs. The table surface has $\frac{5}{8}$ " holes spaced every 2" for welding operations.

The table collapses for storage when not in use.

Inventory

Description	Qty
A. Long Legs w/Extensions	1 Pair
B. Short Legs	1 Pair
C. Work Table w/Frame	1
D. Hairpin Cotter Pins	4
E. Long Shaft Sleeves	2
F. Flat Washers 10mm	2
G. Lower Hinge Pins 10 x 94mm	2
H. Short Shaft Sleeves	2
I. Upper Hinge Pins 8 x 68mm	2
J. Flat Washers 8mm	6
K. Hex Nuts M8-1.25	2
L. Hex Bolts M8-1.25 x 55	2

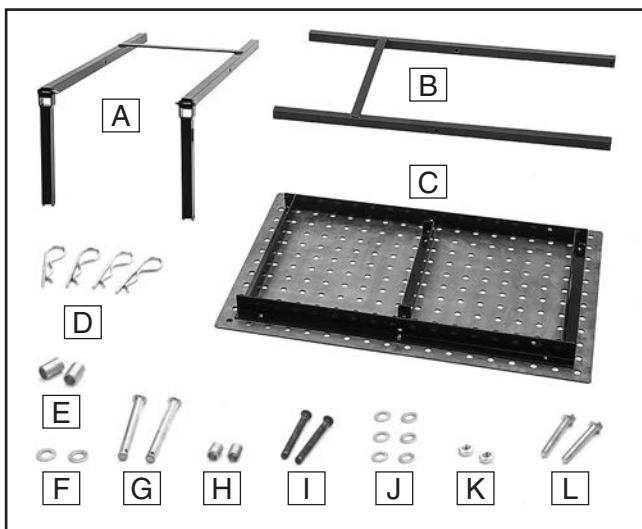


Figure 1. T28931 inventory.

Specifications

Weight Capacity	350 lbs.
Work Table Size	36" x 24"
Work Table Thickness	9 Gauge
Work Table Working Height.....	31"

Assembly

The T28931 Tilting Welding Table requires assembly before use.

To assemble tilting welding table:

1. Use a non-flammable degreaser to remove cosmoline from work table.
2. Stand work table on long edge for assembly (see **Figure 2**).
3. Attach short legs to work table frame with (2) M8-1.25 x 55 hex bolts, (4) 8mm flat washers, and (2) M8-1.25 hex nuts (see **Figure 2**).

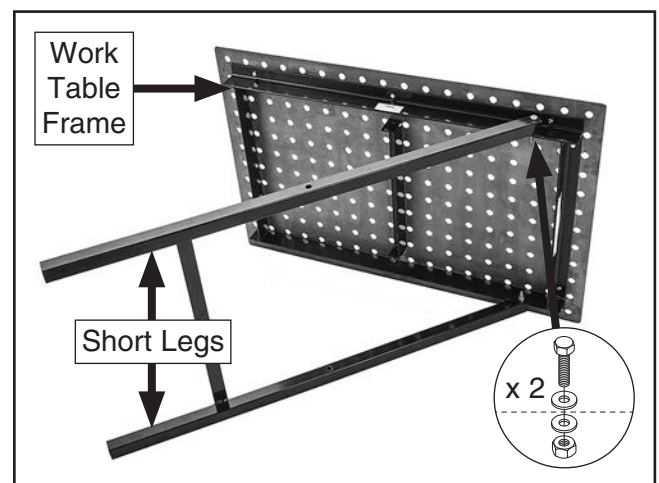


Figure 2. Short legs attached to work table frame.

- Attach long leg extensions to work table frame and frame support with (2) 8 x 68mm upper hinge pins, (2) 8mm flat washers, (2) short shaft sleeves, and (2) 3 x 61mm hairpin cotter pins (see **Figure 3**).

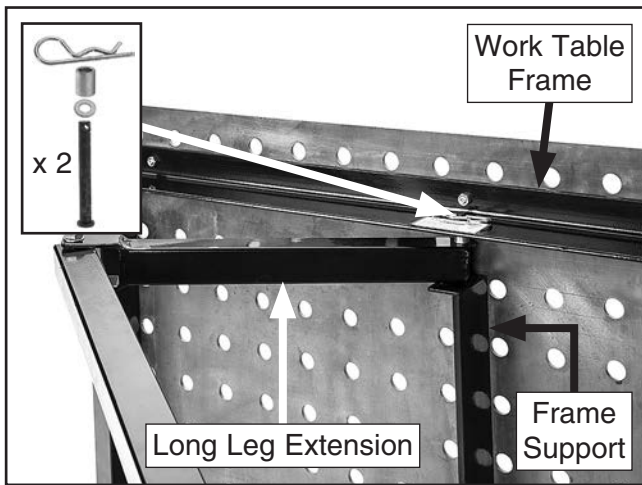


Figure 3. Long leg attached to work table frame and frame support.

- Place long legs inside short legs to align hinge pin mounting holes (see **Figure 4**).
- Connect legs with 10 x 94mm lower hinge pin, 10mm flat washer, long shaft sleeve, and 3 x 61mm hairpin cotter pin, as shown in **Figure 4**. Repeat for second mounting hole.

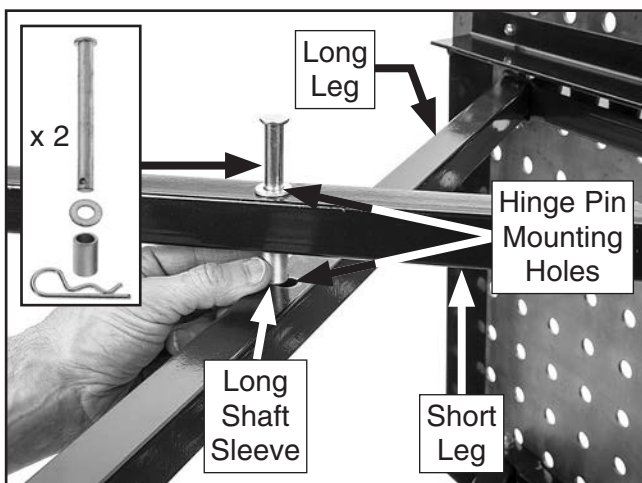


Figure 4. Connecting legs with lower hinge pin and long shaft sleeve.

- Lift welding table and place on legs when complete.

Safety & Correct Use

- Do not apply an unbalanced load.
- Keep unsupervised children away from table.
- Do not stand or climb on table.
- Do not use in wet or damp locations.
- Do not leave rags or other items that are damp with water, oil, paint, or solvents on table.
- Set up table in well-ventilated area where there are no hazardous or combustible materials that could ignite during welding operations.
- While using an electric welder, welder must be grounded to either workpiece or table before welding operation. If grounding to table, workpiece must contact table so current may flow through workpiece to grounding clamp and close welding circuit. Ensure there is some kind of insulation between operator and electric current (a dry rubber mat, rubber gloves, etc.).

⚠ WARNING

DO NOT exceed table weight capacity of 350 lbs. Sudden change in dynamic load at maximum weight capacity could cause table to tip or collapse, resulting in serious personal injury or property damage.

Storage

Flip table so top lays flat on ground. Rotate long legs toward the short legs side, as shown in **Figure 5** below. Slide into convenient location for storage.

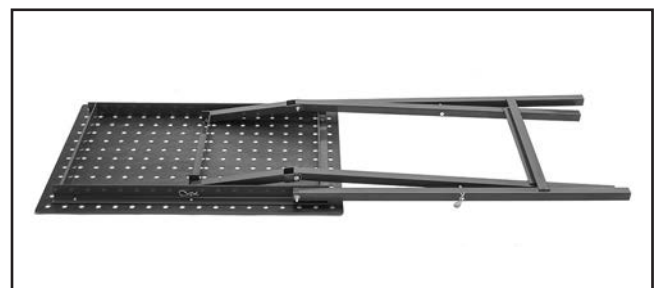
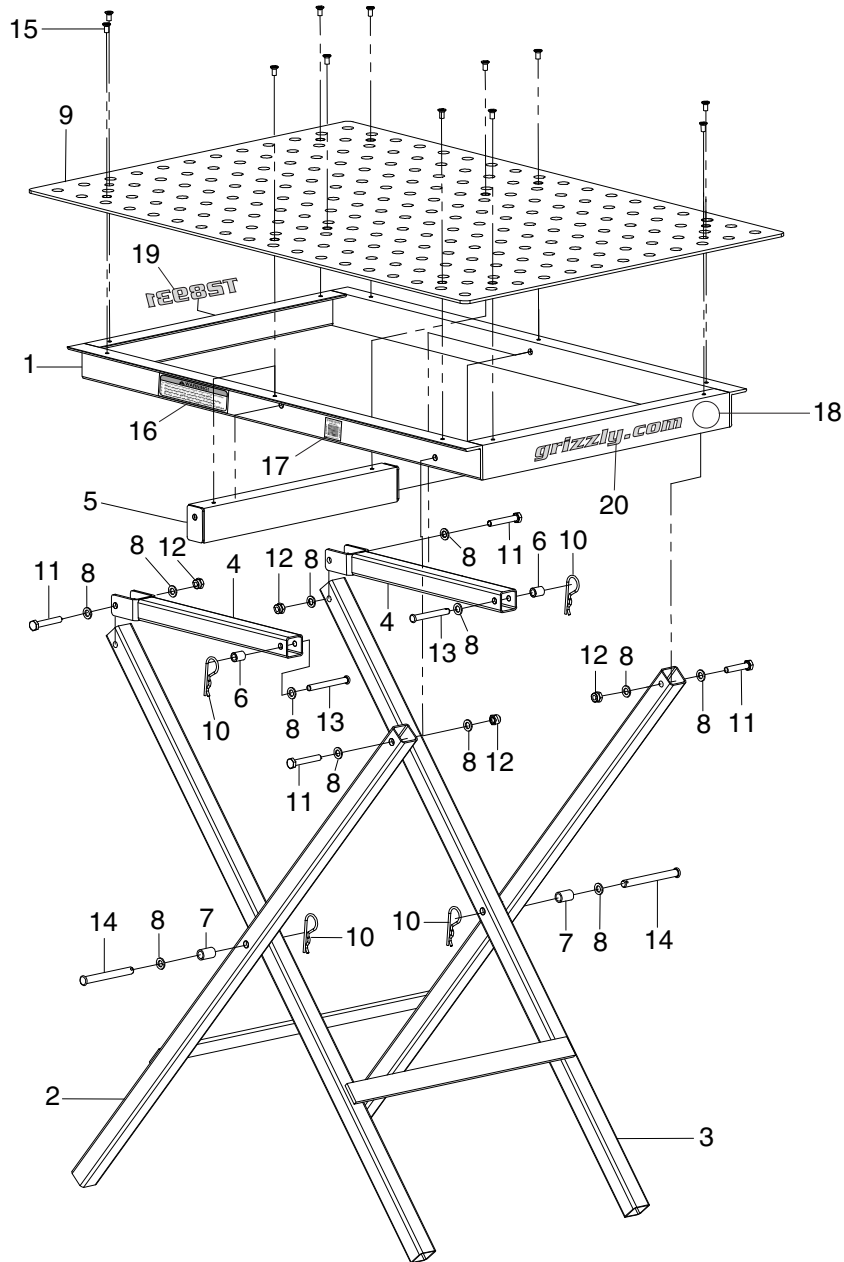


Figure 5. Model T28931 in storage position.



T28931 Parts Breakdown & List



REF PART #	DESCRIPTION
1	PT28931001 FRAME
2	PT28931002 LEG
3	PT28931003 LONG LEG
4	PT28931004 CROSS BRACE
5	PT28931005 FRAME SUPPORT
6	PT28931006 SHORT SHAFT SLEEVE
7	PT28931007 LONG SHAFT SLEEVE
8	PT28931008 FLAT WASHER 8MM
9	PT28931009 TABLE
10	PT28931010 COTTER PIN 3 X 61 HAIRPIN

REF PART #	DESCRIPTION
11	PT28931011 HEX BOLT M8-1.25 X 55
12	PT28931012 HEX NUT M8-1.25
13	PT28931013 UPPER HINGE PIN 8 X 68
14	PT28931014 LOWER HINGE PIN 10 X 94
15	PT28931015 FLAT HD SCR M6-1 X 12
16	PT28931016 WARNING LABEL
17	PT28931017 QR CODE LABEL
18	PT28931018 TOUCH-UP PAINT, GRIZZLY GREEN
19	PT28931019 MODEL NUMBER LABEL
20	PT28931020 GRIZZLY.COM LABEL

Please Note: We do our best to stock replacement parts whenever possible, but we cannot guarantee that all parts shown here are available for purchase. Call (800) 523-4777 or visit our online parts store at www.grizzly.com to check for availability.



WARRANTY & RETURNS

Grizzly Industrial, Inc. warrants every product it sells for a period of **1 year** to the original purchaser from the date of purchase. This warranty does not apply to defects due directly or indirectly to misuse, abuse, negligence, accidents, repairs or alterations or lack of maintenance. This is Grizzly's sole written warranty and any and all warranties that may be implied by law, including any merchantability or fitness, for any particular purpose, are hereby limited to the duration of this written warranty. We do not warrant or represent that the merchandise complies with the provisions of any law or acts unless the manufacturer so warrants. In no event shall Grizzly's liability under this warranty exceed the purchase price paid for the product and any legal actions brought against Grizzly shall be tried in the State of Washington, County of Whatcom.

We shall in no event be liable for death, injuries to persons or property or for incidental, contingent, special, or consequential damages arising from the use of our products.

The manufacturers reserve the right to change specifications at any time because they constantly strive to achieve better quality equipment. We make every effort to ensure that our products meet high quality and durability standards and we hope you never need to use this warranty.

In the event you need to use this warranty, contact us by mail or phone and give us all the details. We will then issue you a "Return Number," which must be clearly posted on the outside as well as the inside of the carton. We will not accept any item back without this number. Proof of purchase must accompany the merchandise.

Please feel free to write or call us if you have any questions about the machine or the manual.

Thank you again for your business and continued support. We hope to serve you again soon.

To take advantage of this warranty, you must register it at <https://www.grizzly.com/secureforms/warranty-card>, or you can scan the QR code below to be automatically directed to our warranty registration page. Enter all applicable information for the product.

