



MODEL T30372 MOUNTING KIT FOR G0613/G0614 INSTRUCTIONS

For questions or help with this product contact Tech Support at (570) 546-9663 or techsupport@grizzly.com

Introduction

The Model T30372 Mounting Kit is a quick and easy way to mount the Model T30399 Infeed/Outfeed Roller Set onto your G0613 or G0614 Metal Bandsaw.

Inventory

Description	Qty
A. Extension Plate Cover.....	1
B. Outfeed Roller Plate.....	1
C. Infeed Mounting Bracket.....	1
D. Outfeed Mounting Bracket.....	1
E. Hex Bolts M10-1.5 x 25.....	10
F. Flat Washers 10mm.....	16
G. Hex Nuts M10-1.5.....	6
H. Set Screws M8-1.25 x 8.....	2

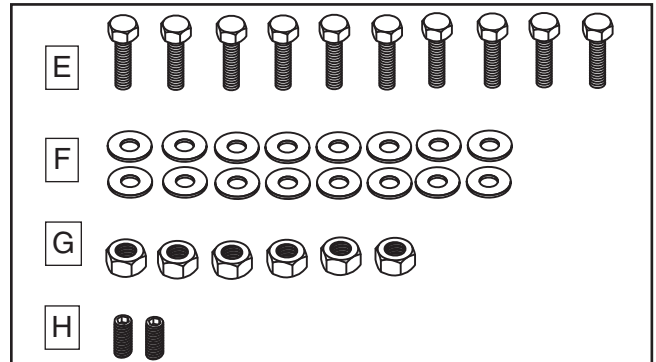


Figure 2. T30372 hardware.

Needed for Setup

Description	Qty
A. Wrenches or Sockets 17mm.....	2
B. Assembled Model T30399.....	1
C. Model G0613 or G0614 Metal Bandsaw....	1
D. Precision Level.....	1

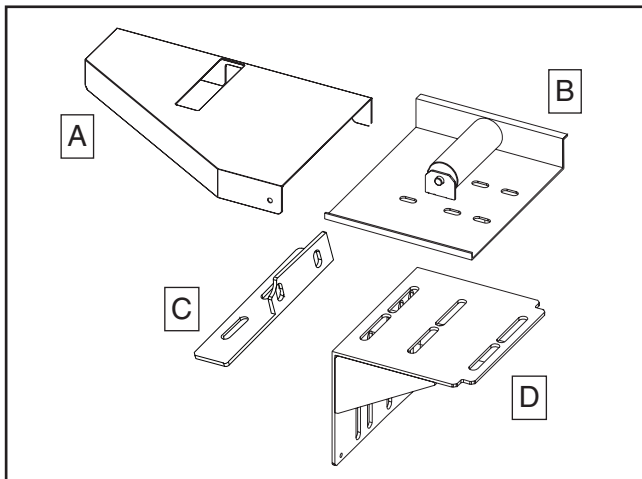


Figure 1. Main inventory.

Assembly

1. Attach outfeed mounting bracket to bandsaw base with (2) M10-1.5 x 25 hex bolts and (2) 10mm flat washers, see **Figure 3**.

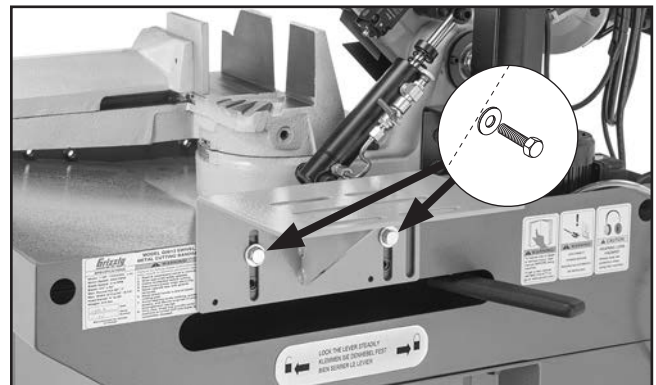


Figure 3. Outfeed mounting bracket attached.

2. Attach outfeed roller plate to mounting bracket with (2) M10-1.5 x 25 hex bolts, (4) 10mm flat washers, and (2) M10-1.5 hex nuts (see **Figure 4**).

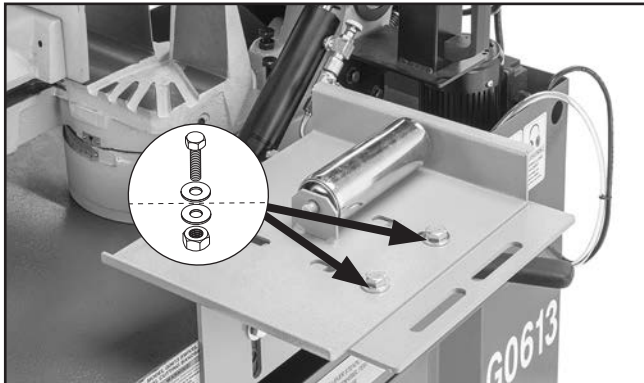


Figure 4. Outfeed roller plate attached.

3. Attach infeed mounting bracket to rear vise bracket on bandsaw with (2) M10-1.5 x 25 hex bolts and (2) 10mm flat washers (see **Figure 5**).

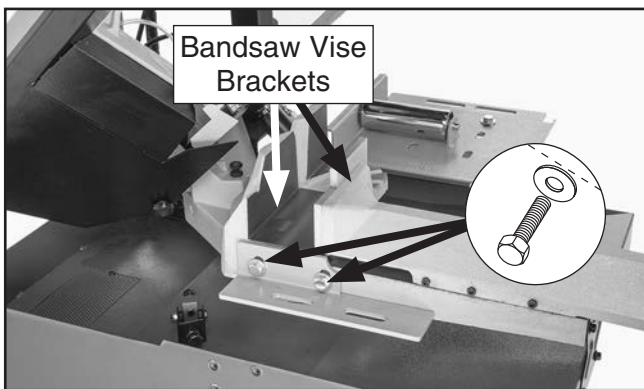


Figure 5. Infeed mounting bracket attached to saw vise.

4. Attach assembled Model T30399 outfeed roller table and leg to outfeed mounting bracket with (2) M10-1.5 x 25 hex bolts, (4) 10mm flat washers, and (2) M10-1.5 hex nuts (see **Figure 6**).

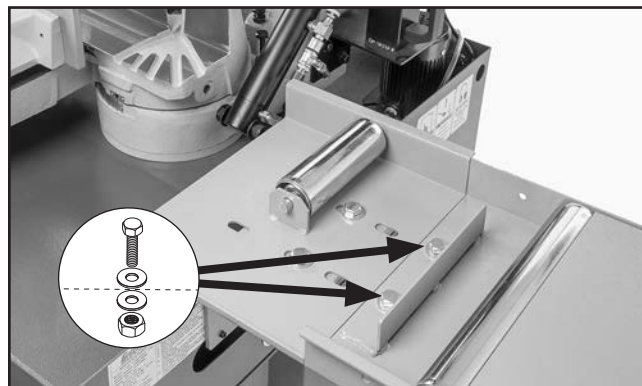


Figure 6. Outfeed roller set attached to mounting bracket.

5. Attach assembled Model T30399 infeed roller table and leg to infeed mounting bracket using (2) M10-1.5 x 25 hex bolts, (4) 10mm flat washers, and (2) M10-1.5 hex nuts (see **Figure 7**).

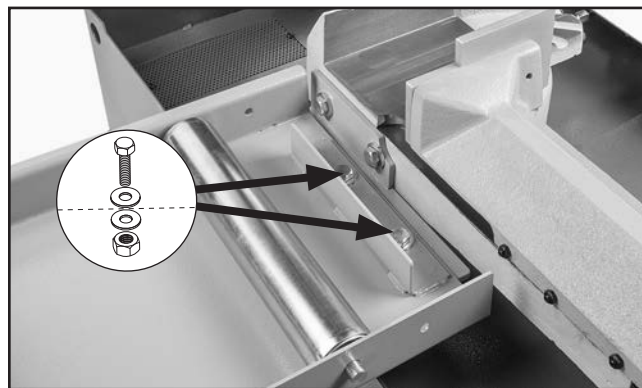


Figure 7. Infeed roller set attached to mounting bracket.

6. Set extension plate cover on roller plate, leaving roller exposed.



7. Tops of all rollers should be level with vise bracket work surface. Adjust heights of tables by loosening, adjusting, then retightening hardware of legs and mounting brackets (see **Figure 5 & 8**).

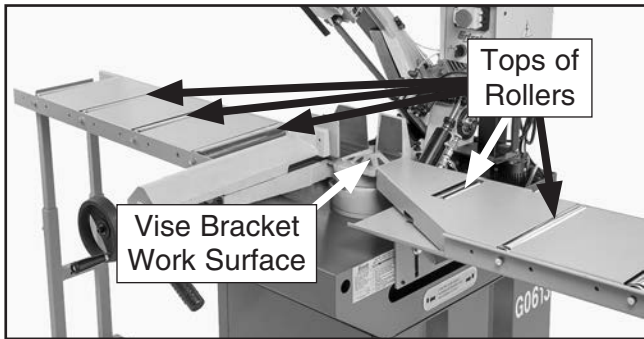


Figure 8. Rollers level with vise bracket.

8. If rollers and vise bracket are not quite level, insert (2) M8-1.25 x 8 set screws into mounting bracket and tighten until level (see **Figure 9**).

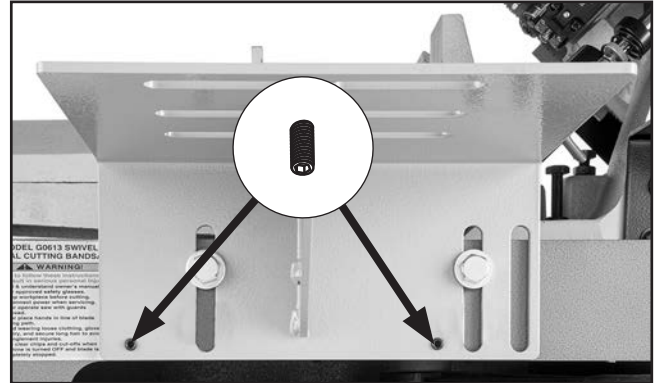
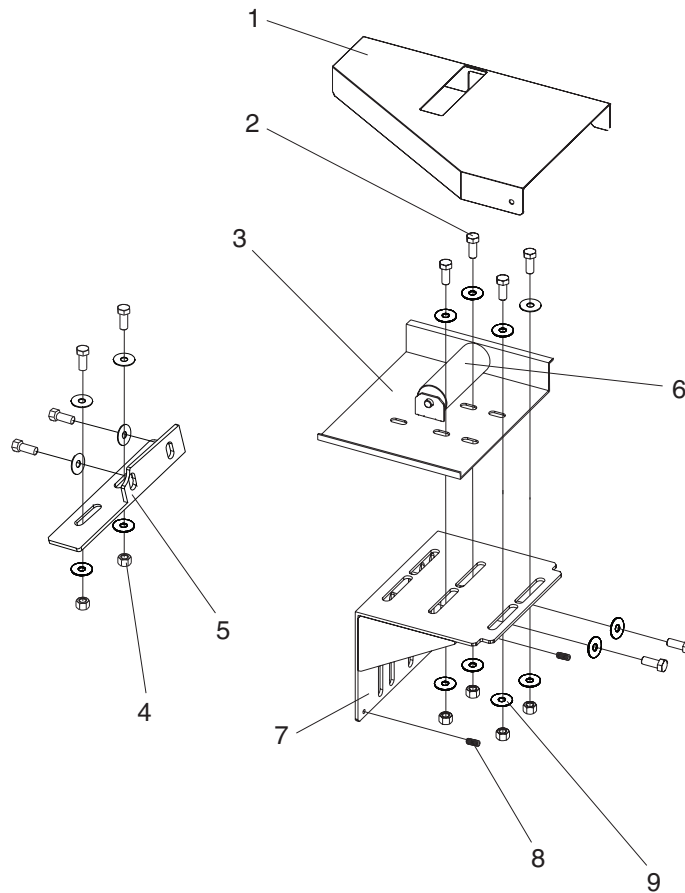


Figure 9. Location of leveling set screws.

T30372 Parts Breakdown & List



REF	PART #	DESCRIPTION
1	PT30372001	EXTENSION PLATE COVER
2	PT30372002	HEX BOLT M10-1.5 X 25
3	PT30372003	ROLLER PLATE
4	PT30372004	HEX NUT M10-1.5
5	PT30372005	INFEED MOUNTING BRACKET

REF	PART #	DESCRIPTION
6	PT30372006	ROLLER
7	PT30372007	OUTFEED MOUNTING BRACKET
8	PT30372008	SET SCREW M8-1.25 X 8
9	PT30372009	FLAT WASHER 10MM



grizzly.com[®]

TOOL WEBSITE

Buy Direct and Save with Grizzly[®] – Trusted, Proven and a Great Value!
~Since 1983~

*Visit Our Website Today For
Current Specials!*

**ORDER
24 HOURS A DAY!
1-800-523-4777**

