



# MODEL T30399 INFEED/OUTFEED ROLLER SET INSTRUCTIONS

For questions or help with this product contact Tech Support at (570) 546-9663 or techsupport@grizzly.com

## Introduction

The Model T30399 Roller Set consists of infeed and outfeed roller tables that allow you to process materials quickly and efficiently when used in combination with the G0613/G0614 metal bandsaws.

## Inventory

Description	Qty
A. Legs.....	2
—Hex Bolts M10-1.5 x 25.....	4
—Hex Nuts M10-1.5 .....	4
B. Roller Tables.....	2
C. Table Covers .....	6
D. Hex Bolts M10-1.5 x 25 .....	4
E. Flat Washers 10mm .....	8
F. Hex Nuts M10-1.5.....	4

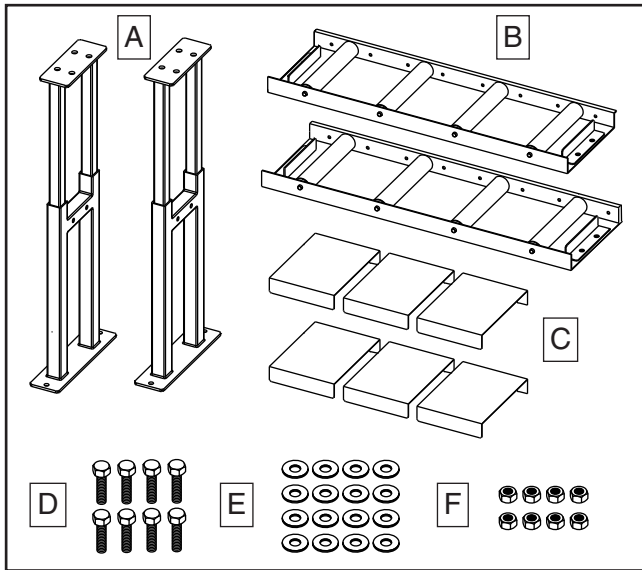


Figure 1. T30399 inventory.

## Needed for Setup

Description	Qty
A. Wrenches or Sockets 17mm .....	2

## Assembly

1. Attach (2) legs to roller tables (see Figure 2) using (4) hex bolts, (8) flat washers, and (4) hex nuts.

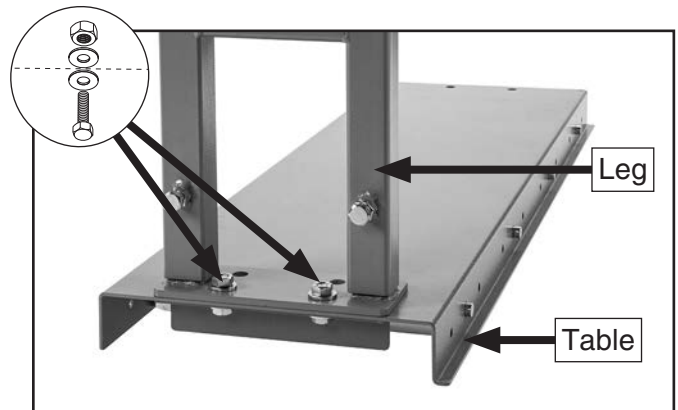


Figure 2. Roller table attached to leg.

2. Set (6) covers on infeed and outfeed roller tables, leaving rollers exposed (see Figure 3).

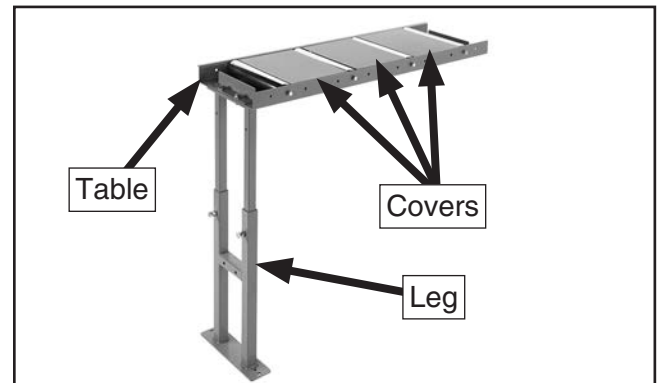
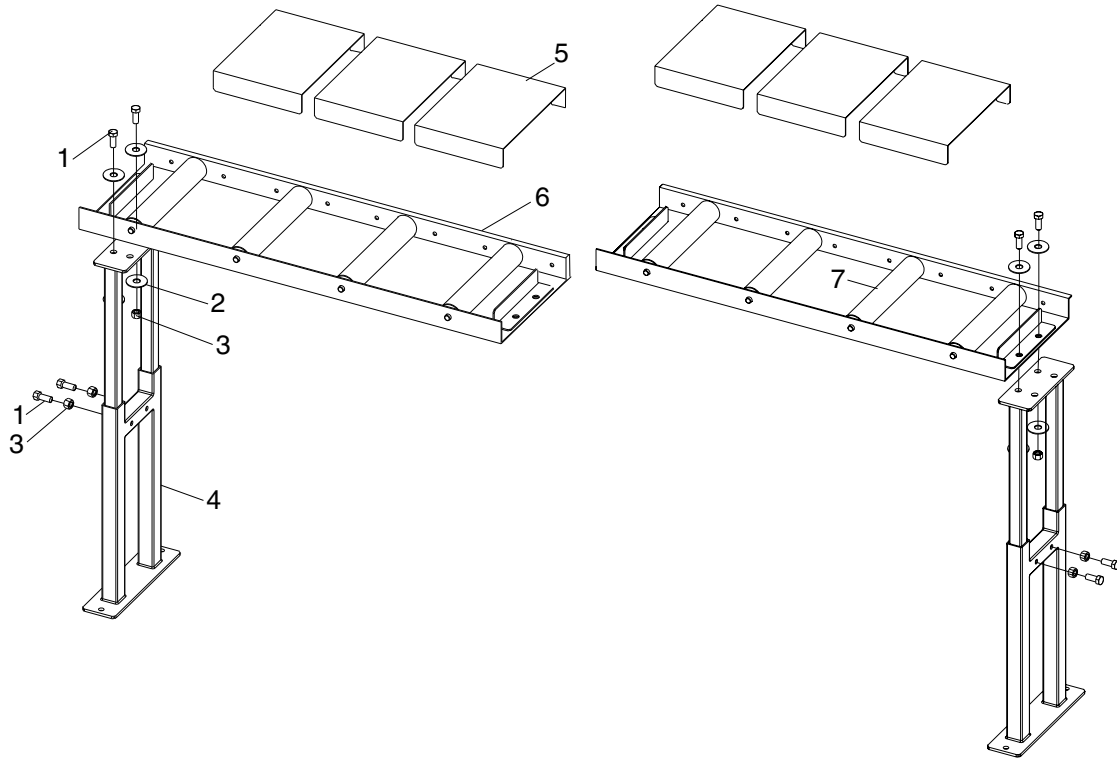


Figure 3. Roller table with covers installed.

# T30399 Parts Breakdown



REF PART #	DESCRIPTION
1	PT30399001 HEX BOLT M10-1.5 X 25
2	PT30399002 FLAT WASHER 10MM
3	PT30399003 HEX NUT M10-1.5
4	PT30399004 LEG

REF PART #	DESCRIPTION
5	PT30399005 COVER
6	PT30399006 ROLLER TABLE
7	PT30399007 ROLLER

**Please Note:** We do our best to stock replacement parts whenever possible, but we cannot guarantee that all parts shown here are available for purchase. Call (800) 523-4777 or visit our online parts store at [www.grizzly.com](http://www.grizzly.com) to check for availability.

**BUY PARTS ONLINE AT GRIZZLY.COM!**  
Scan QR code to visit our Parts Store.