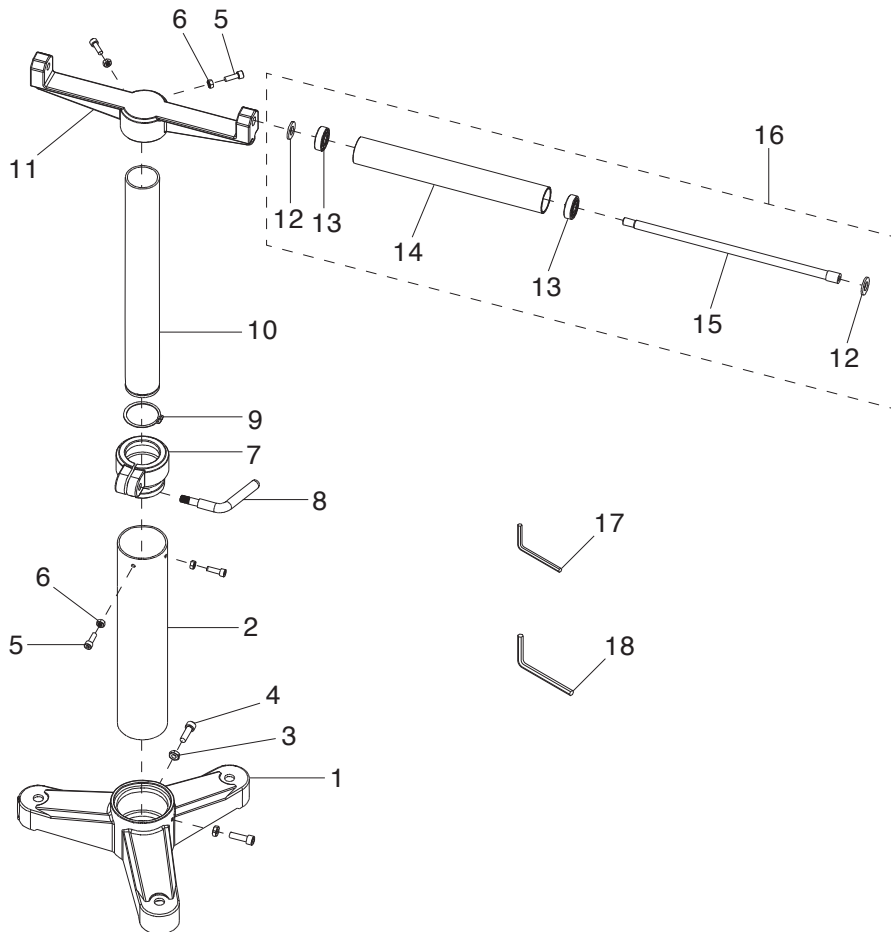




MODEL T30673 HEAVY DUTY ROLLER STAND PARTS LIST

For questions or help with this product contact Tech Support at (570) 546-9663 or techsupport@grizzly.com



REF PART #	DESCRIPTION
1	PT30673001 BASE
2	PT30673002 OUTER COLUMN
3	PT30673003 HEX NUT M10-1.5
4	PT30673004 CAP SCREW M10-1.5 X 30
5	PT30673005 CAP SCREW M8-1.25 X 25
6	PT30673006 HEX NUT M8-1.25
7	PT30673007 COLUMN CLAMP
8	PT30673008 CLAMP HANDLE
9	PT30673009 EXT RETAINING RING 55MM

REF PART #	DESCRIPTION
10	PT30673010 INNER COLUMN
11	PT30673011 HORIZONTAL ROLLER CASTING
12	PT30673012 SPACER 17 X 30 X 2MM
13	PT30673013 BALL BEARING 6302ZZ
14	PT30673014 ROLLER
15	PT30673015 SHOULDER SCREW M16-1 X 20,13 X 380
16	PT30673016 ROLLER ASSEMBLY
17	PT30673017 HEX WRENCH 6MM
18	PT30673018 HEX WRENCH 8MM

COPYRIGHT © MARCH, 2020 BY GRIZZLY INDUSTRIAL, INC.
**NO PORTION OF THIS MANUAL MAY BE REPRODUCED IN ANY SHAPE
 OR FORM WITHOUT THE WRITTEN APPROVAL OF GRIZZLY INDUSTRIAL, INC.**
 (FOR MODELS MFD. SINCE 08/19) #KS21015 PRINTED IN CHINA