



INSTRUCTIONS FOR TWO MACHINE DUST COLLECTION HOOK-UP KIT

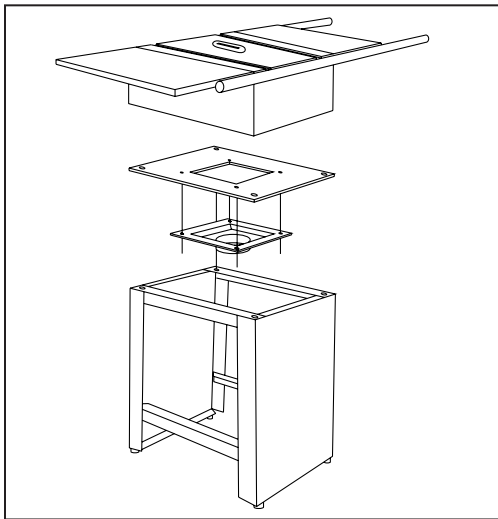
This dust collection kit allows two woodworking machines to be connected to a dust collector within close proximity. This kit includes: 2 - 10' sections of 4" Flex-hose, 2 - 4" Blast Gates, 1 - Table Dust Hood, 1 - Universal Dust Hood, 1 - 4" Y Fitting and 10 - Hose Clamps. If your dust collector inlet port is larger than 4", you will need to reduce to 4". Refer to the heating and cooling section at your local hardware store for reducers.

Hood Set Up:

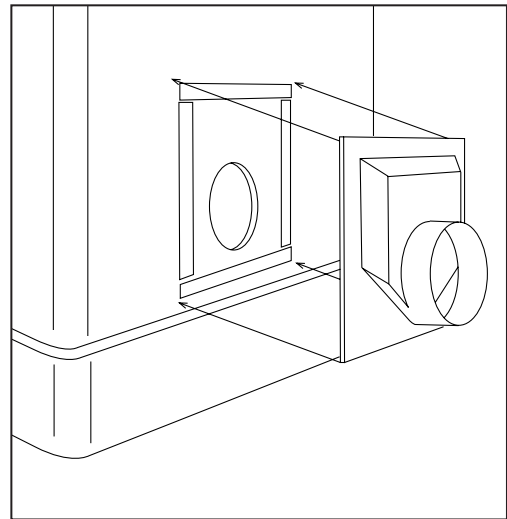
1. Attach the Table Saw Hood and Universal Hood over your woodworking machine dust ports with either double sided carpet tape, foam mounting tape, or sheet metal screws. If using screws, pre-drill 4 screw holes in each hood flange. If your woodworking machine does not have a dust port, it will be necessary to make a modification.

One type of modification requires an intermediate mounting adapter to decrease the dust port opening. The need for an intermediate adapter is necessary for open frame contractor type table saws and whenever an opening must be reduced to accommodate the Universal Hood. The intermediate adapter can be either a piece of thin plywood or sheet metal with a hole cutout. The cutout should be sized smaller than the hood flange so that the hood will surface mount to the adapter.

A second modification type may require cutting a dust port hole in an enclosed stand where non exists. If cutting a hole, locate it near the bottom of the compartment and away from the operator's normal position. Surface mount the Universal Hood over the hole with double sided carpet tape, foam mounting tape or screws.



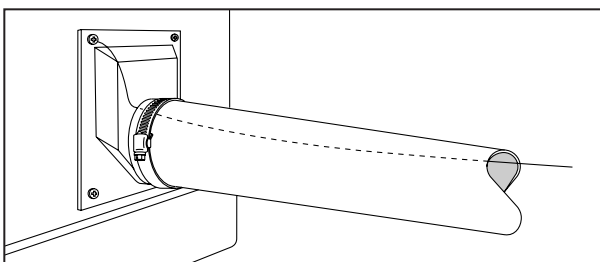
Stand modification showing intermediate adapter and hood placement.



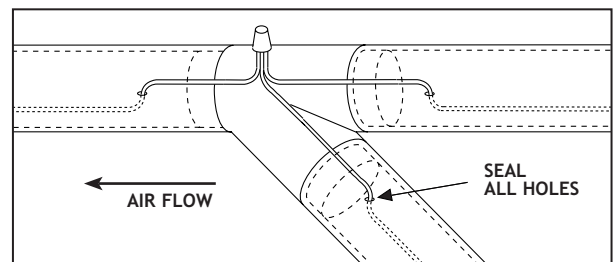
Stand modification showing hole cutout and hood placement.

Grounding:

2. It is important to properly ground your system against the risk of spark caused by static electricity. Since plastic is an insulator, the movement of dry dust contacting the walls of the flex-hose will produce a static charge. This charge may build and eventually arc to the nearest ground. The resulting spark may cause a fire or explosion. To protect against static electric build-up, we strongly recommend the installation of an internal bare copper grounding wire. Fish the wire through the flex-hose and connect one end to the frame of your dust collector, making sure that metal to metal contact is made. Connect the other end to the frame of your woodworking machine. Connect a lateral ground wire at the Y fitting. You may loop the wire around the outside of the blast gates. Finally, ensure that your dust collector and woodworking machines are electrically grounded so that your machine frames provide a continuous ground for static electricity.



Internal ground wire connection to machine frame.



Ground wires threaded externally & connected with a wire nut.



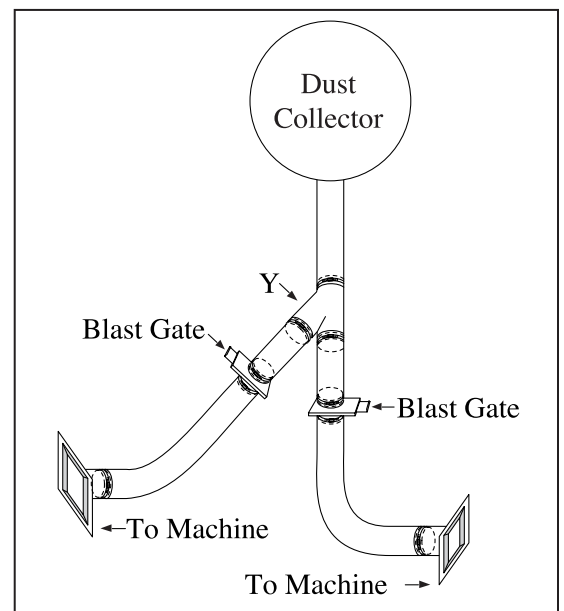
INSTRUCTIONS FOR TWO MACHINE DUST COLLECTION HOOK-UP KIT

Hose & Blast Gate Assembly:

3. Cut a 2' section of flex-hose from a 10' hose piece, place a loosened wire hose clamp around one end and slide the flex-hose over the dust collector inlet port. If the dust collector port is not 4", it will be necessary to provide a reducer of the correct size to make the connection. Tighten the hose clamp with a screw driver to secure the flex-hose to the dust collector.
4. Place the second wire hose clamp around the free end of the short section of flex-hose and slide the hose over the single leg portion of Y fitting. Secure the wire clamp with a screw driver.
5. Cut two - 1' sections of flex-hose from the other 10' piece and secure each piece to the Y fitting with hose clamps.
6. Secure the two blast gates to the short sections of flex-hose with two hose clamps.
7. Secure the two long sections of flex-hose to the two blast gates with two hose clamps.
8. Secure the free ends of both flex-hose sections to the table saw hood and universal hood that are attached to your woodworking machines. Fasten with two hose clamps.
9. Now, assuming that all safety precautions are observed, you are now ready to collect the dust produced by your woodworking machines. To control airflow, open the blast gate that is connected to the machine branch that you intend to use and close the other blast gate.

Woodstock International offers a full line of accessory dust collection components that can be added to this kit for a more elaborate system. For more information about dust collection and system design, please refer to our handbook: **DUST COLLECTION BASICS-Recommendations for Home Shop Systems**. This handbook and other dust collection components are available through your Woodstock International dealer.

Illustrates a typical two machine dust collection set-up.



ADDITIONAL ACCESSORIES

The dust collection accessories included with this kit are for simple dust collection system hook-ups. More elaborate systems are possible, but will require additional accessories. All the accessories included in this kit can be used in a larger, more complex system as described in the handbook **DUST COLLECTION BASICS**. Consult with your local Woodstock product retailer for these dust collection accessories.

- W1001 6 1/2" Jointer Dust Hood
- W1002 8 1/2" Jointer Dust Hood
- W1003 Floor Sweep
- W1004 12" Table Saw Dust Hood
- W1005 14" Table Saw Dust Hood
- W1006 3" Blast Gate
- W1007 4" Blast Gate
- W1008 5" Blast Gate
- W1009 6" Blast Gate
- W1010 Universal Dust Hood
- W1011 4" to 3" Reducer
- W1012 3" T
- W1013 4" T
- W1014 3" Y
- W1015 3" Y
- W1016 3" Elbow
- W1017 4" Elbow
- W1018 3" Splice
- W1019 4" Splice
- W1020 3" to 2" Reducer
- W1021 3" Hose Clamp
- W1022 4" Hose Clamp

- W1023 5" Hose Clamp
- W1024 6" Hose Clamp
- W1025 2" Hose Clamp
- W1026 2" x 10' Hose
- W1027 2 1/2" x 10' Hose
- W1028 3" x 10' Hose
- W1029 3" x 20' Hose
- W1030 3" x 50' Hose
- W1031 4" x 10' Hose
- W1032 4" x 20' Hose
- W1033 5" x 10' Hose
- W1034 4" x 10' Clear, Wire-Reinforced Hose
- W1035 5" x 10' Clear, Wire-Reinforced Hose
- W1036 6" x 10' Clear, Wire-Reinforced Hose
- W1041 3" to 2 1/2" Reducer
- W1042 2 1/2" Universal Dust Port
- W1049 Large Dust Collection Separator
- W1050 *Dust Collection Basics* (Book)

- W1053 Dust Collection Grounding Kit
- W1054 Dust Collections Accessories Kit #1
- W1055 Dust Collections Accessories Kit #2
- W1141 3" Aluminum Blast Gate
- W1142 4" Aluminum Blast Gate
- W1315 2" Wire Hose Clamp
- W1316 3" Wire Hose Clamp
- W1317 4" Wire Hose Clamp
- W1318 5" Wire Hose Clamp
- W1319 6" Wire Hose Clamp
- W2026 2" x 10' Clear Hose
- W2027 2 1/2" x 10' Clear Hose
- W2028 3" x 10' Clear Hose
- W2031 4" x 10' Clear Hose
- W2032 4" x 20' Clear Hose
- W2033 5" x 10' Clear Hose
- W2046 2 1/2" Hose Adapter
- W2049 Small Dust Collection Separator
(for use with a Shop Vac® & a 5-gallon bucket)