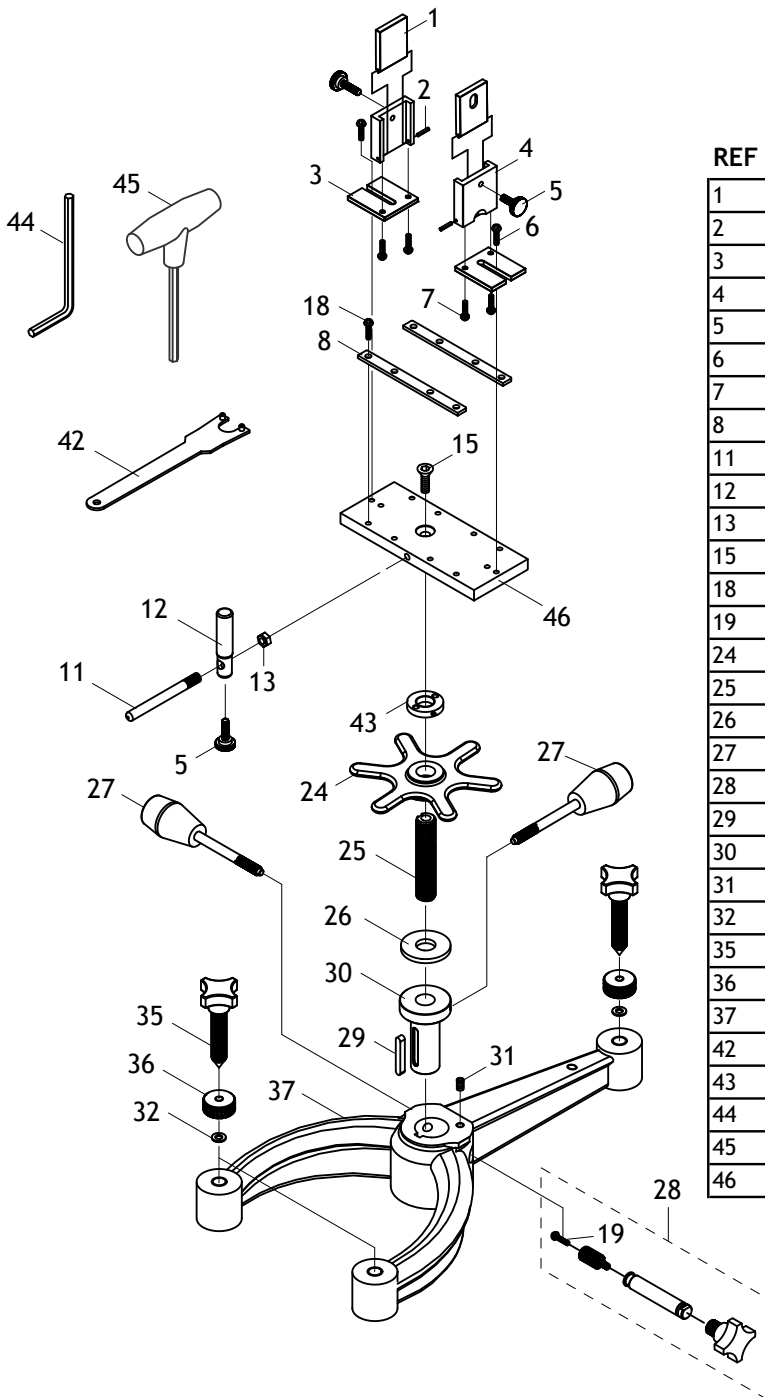


BE1129 Parts Breakdown



| REF | PART # | DESCRIPTION |
|-----|------------|--------------------------------|
| 1 | PBE1129001 | CLAMP SHOE |
| 2 | PBE1129002 | ROLL PIN 3 X 50 |
| 3 | PBE1129003 | ADJUSTING PLATE |
| 4 | PBE1129004 | CLAMP SUPPORT |
| 5 | PBE1129005 | THUMB KNOB 1/4-28 X 1-1/4 |
| 6 | PBE1129006 | BUTTON HD CAP SCR 1/4-20 X 1/2 |
| 7 | PBE1129007 | FLAT HD SCR 10-24 X 1/2 |
| 8 | PBE1129008 | CLAMP STRAP |
| 11 | PBE1129011 | STOP POST RAIL |
| 12 | PBE1129012 | STOP POST |
| 13 | PBE1129013 | HEX NUT 5/16-18 |
| 15 | PBE1129015 | BEVEL HEAD SCREW 3/8-16 X 3/4 |
| 18 | PBE1129018 | BUTTON HD CAP SCR 1/4-20 X 3/4 |
| 19 | PBE1129019 | BUTTON HD CAP SCR 10-24 X 1/2 |
| 24 | PBE1129024 | MARINER WHEEL |
| 25 | PBE1129025 | ELEVATION SCREW 3/4-10 |
| 26 | PBE1129026 | TEFLON THRUST BEARING |
| 27 | PBE1129027 | LOCK KNOB 3/8-16 |
| 28 | PBE1129028 | ELEVATION KNOB & PINION ASSY |
| 29 | PBE1129029 | KEY 1/4 X 1/4 X 1-3/4 |
| 30 | PBE1129030 | ELEVATION RACK |
| 31 | PBE1129031 | BALL-PT SET SCREW 1/4-20 X 1/2 |
| 32 | PBE1129032 | TEFLON WASHER 1/2 |
| 35 | PBE1129035 | LEVELING SCREW 1/2-13 X 3 |
| 36 | PBE1129036 | LOCKING THUMB WHEEL 3/8-16 |
| 37 | PBE1129037 | SLINGSHOT BASE, ALUMINUM |
| 42 | PBE1129042 | SPANNER WRENCH |
| 43 | PBE1129043 | KNURLED SPANNER NUT |
| 44 | PBE1129044 | HEX WRENCH 4MM |
| 45 | PBE1129045 | HEX T-WRENCH 5MM |
| 46 | PBE1129046 | SLIDE |