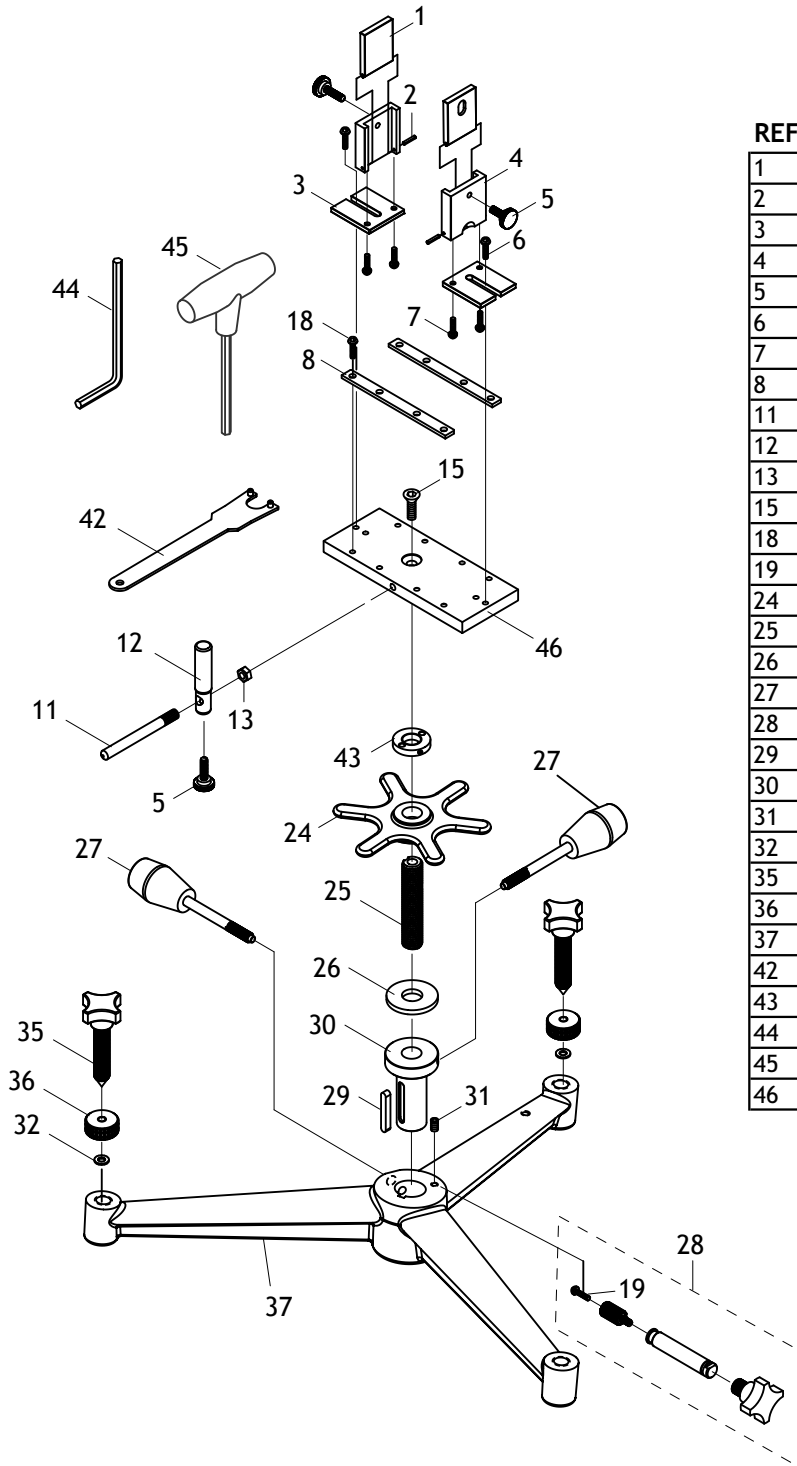


BE1161 Parts Breakdown



| REF | PART # | DESCRIPTION |
|-----|------------|--------------------------------|
| 1 | PBE1161001 | CLAMP SHOE |
| 2 | PBE1161002 | ROLL PIN 3 X 50 |
| 3 | PBE1161003 | ADJUSTING PLATE |
| 4 | PBE1161004 | CLAMP SUPPORT |
| 5 | PBE1161005 | THUMB KNOB 1/4-28 X 1-1/4 |
| 6 | PBE1161006 | BUTTON HD CAP SCR 1/4-20 X 1/2 |
| 7 | PBE1161007 | FLAT HD SCR 10-24 X 1/2 |
| 8 | PBE1161008 | CLAMP STRAP |
| 11 | PBE1161011 | STOP POST RAIL |
| 12 | PBE1161012 | STOP POST |
| 13 | PBE1161013 | HEX NUT 5/16-18 |
| 15 | PBE1161015 | BEVEL HEAD SCREW 3/8-16 X 3/4 |
| 18 | PBE1161018 | BUTTON HD CAP SCR 1/4-20 X 3/4 |
| 19 | PBE1161019 | BUTTON HD CAP SCR 10-24 X 1/2 |
| 24 | PBE1161024 | MARINER WHEEL |
| 25 | PBE1161025 | ELEVATION SCREW 3/4-10 |
| 26 | PBE1161026 | TEFLON THRUST BEARING |
| 27 | PBE1161027 | LOCK KNOB 3/8-16 |
| 28 | PBE1161028 | ELEVATION KNOB & PINION ASSY |
| 29 | PBE1161029 | KEY 1/4 X 1/4 X 1-3/4 |
| 30 | PBE1161030 | ELEVATION RACK |
| 31 | PBE1161031 | BALL-PT SET SCREW 1/4-20 X 1/2 |
| 32 | PBE1161032 | TEFLON WASHER 5/8 |
| 35 | PBE1161035 | LEVELING SCREW 5/8-11 x 3 |
| 36 | PBE1161036 | LOCKING THUMB WHEEL 5/8-11 |
| 37 | PBE1161037 | BIG FIFTY BASE, CAST IRON |
| 42 | PBE1161042 | SPANNER WRENCH |
| 43 | PBE1161043 | KNURLED SPANNER NUT |
| 44 | PBE1161044 | HEX WRENCH 4MM |
| 45 | PBE1161045 | HEX T-WRENCH 5MM |
| 46 | PBE1161046 | SLIDE |