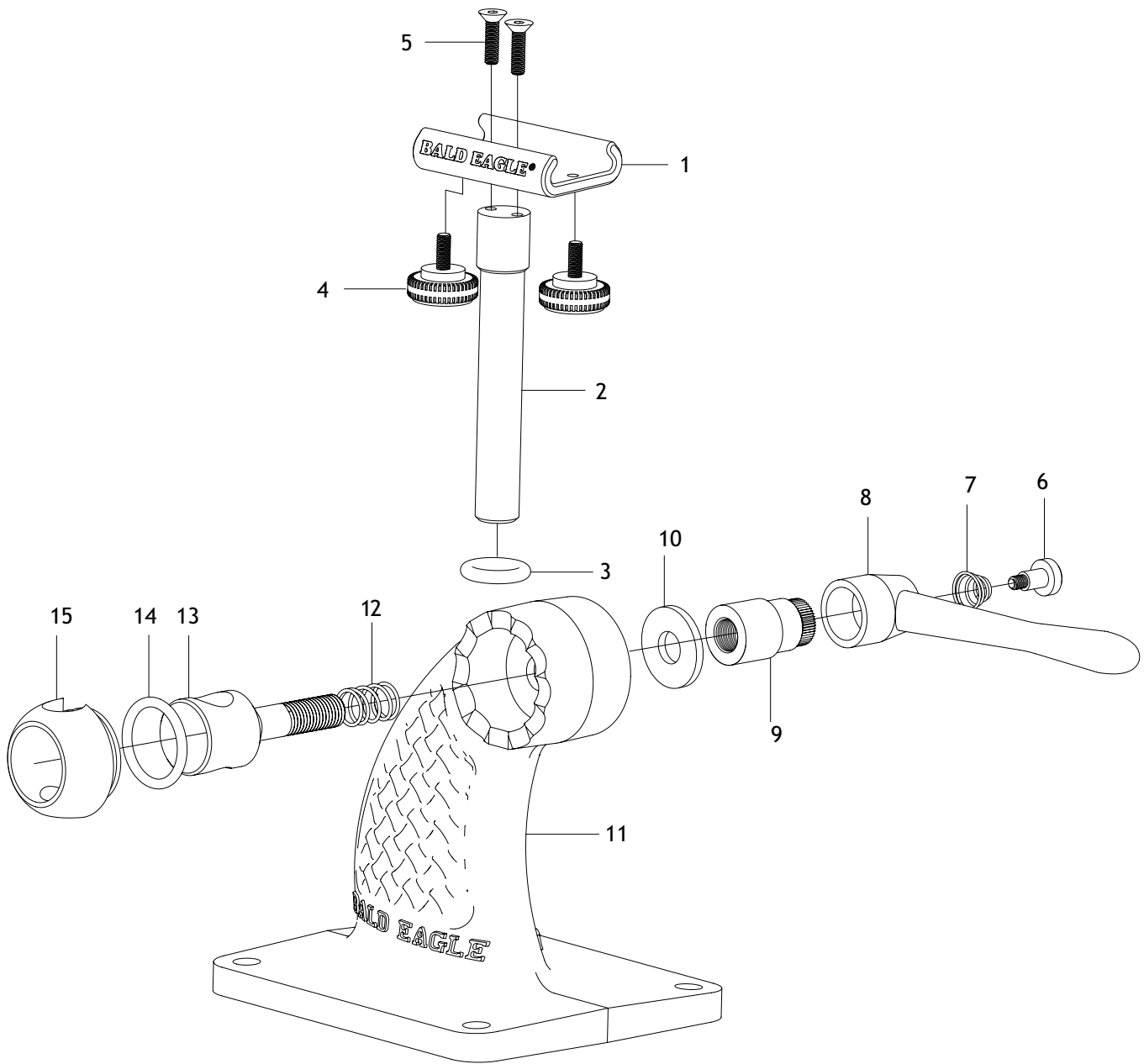


BE1162 Parts Breakdown



REF	PART #	DESCRIPTION
1	PBE1162001	DOVETAIL MAGAZINE CLAMP
2	PBE1162002	DOVETAIL MOUNT SHAFT
3	PBE1162003	O-RING 15 X 5 BUNA-N
4	PBE1162004	LOCK KNOB M6-1 X 15
5	PBE1162005	FLAT HD CAP SCR #10-32 X 1/2
6	PBE1162006	SHOULDER SCREW M5-.8 X 6, 7 X 9
7	PBE1162007	CONICAL SPRING
8	PBE1162008	LOCK HANDLE

REF	PART #	DESCRIPTION
9	PBE1162009	ADJUSTABLE HUB M12-1.75, M5-.8
10	PBE1162010	FENDER WASHER 12MM
11	PBE1162011	BASE
12	PBE1162012	COMPRESSION SPRING 1.4 X 15 X 20
13	PBE1162013	INNER SHAFT CLAMP M12-1.75 X 45
14	PBE1162014	O-RING 30 X 3.5 BUNA-N
15	PBE1162015	SHAFT CLAMP HUB