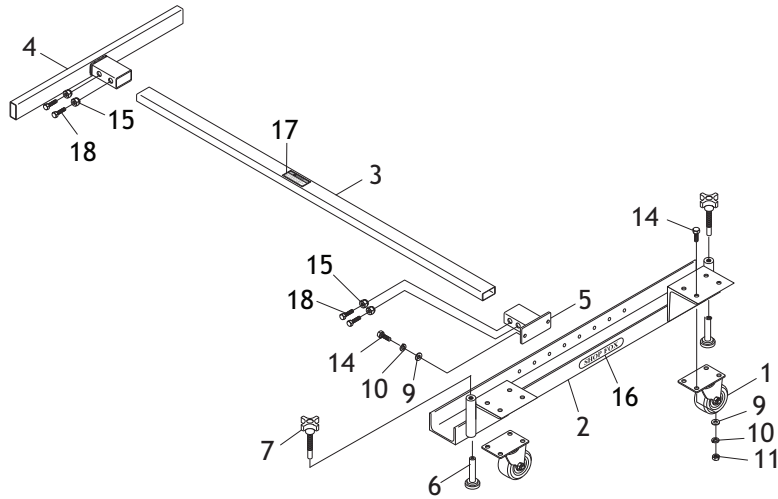


D2259A Parts



REF	PART #	DESCRIPTION
1	XD2259A001	SWIVEL CASTER
2	XD2259A002	LEG SUPPORT CHANNEL
3	XD2259A003	EXTENSION BAR
4	XD2259A004	SIDE RAIL W/MOUNTING BRACKET
5	XD2259A005	MOUNTING BRACKET
6	XD2259A006	FOOT WITH MAGNET
7	XD2259A007	KNOB M12-1.75
9	XD2259A009	FLAT WASHER 8MM

REF	PART #	DESCRIPTION
10	XD2259A010	LOCK WASHER 8MM
11	XD2259A011	HEX NUT M8-1.25
14	XD2259A014	HEX BOLT M8-1.25 X 16
15	XD2259A015	LOCK NUT M8-1.25
16	XD2259A016	SHOP FOX LOGO LABEL
17	XD2259A017	TIGHTEN FEET WARNING LABEL
18	XD2259A018	HEX BOLT M8-1.25 X 25