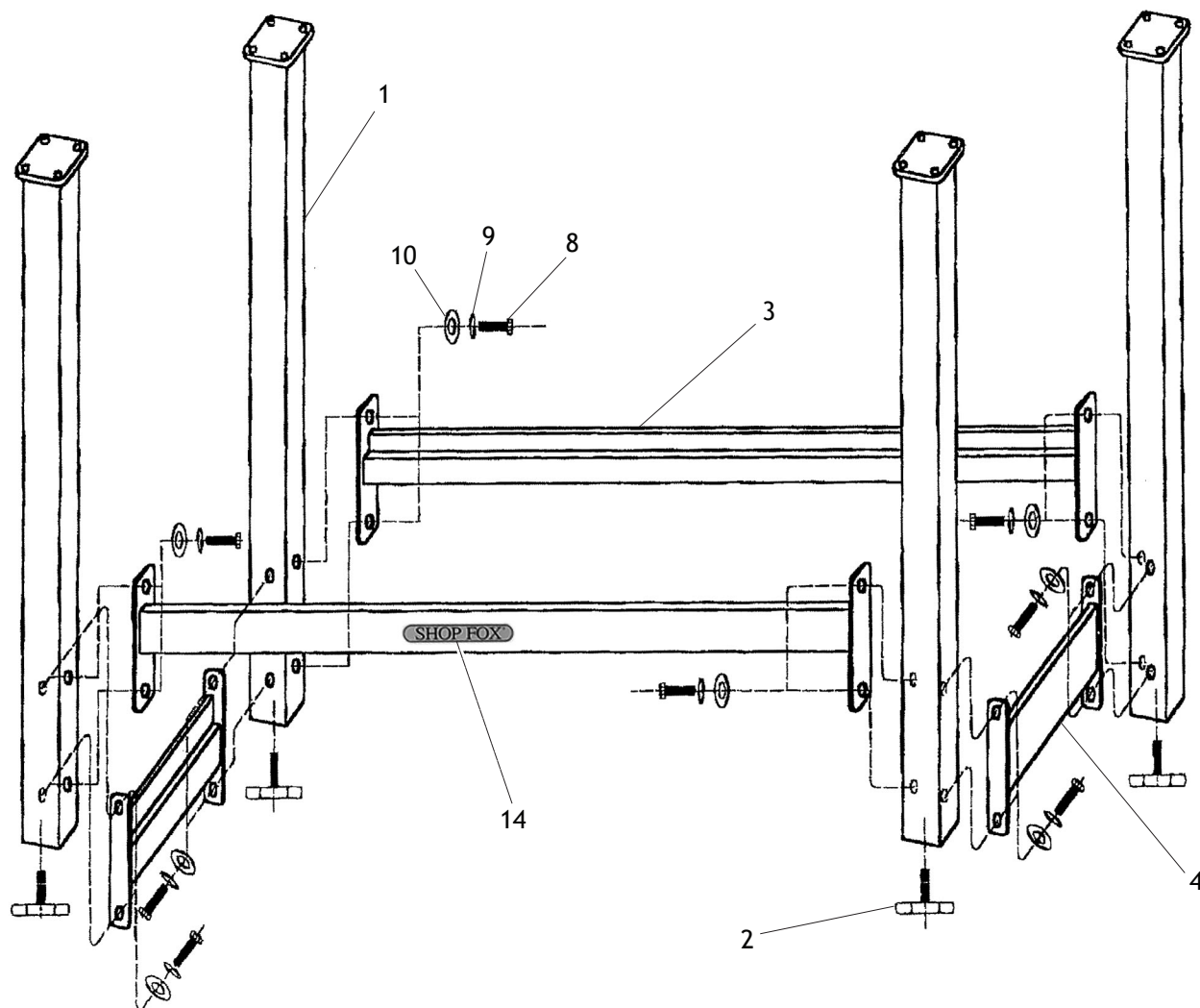


Model D2910 Workbench Leg System Parts List



Phone #: (360) 734-3482 • Online Tech Support: tech-support@shopfox.biz • Web: www.shopfox.biz



REF	PART #	DESCRIPTION
1	XD2910001	LEG
2	XD2910002	ADJUSTABLE RUBBER FOOT
3	XD2910003	LONG BRACE
4	XD2910004	SHORT BRACE

REF	PART #	DESCRIPTION
8	XPB25M	HEX BOLT M12-1.75 X 25
9	XPLW05M	LOCK WASHER 12MM
10	XPW06M	FLAT WASHER 12MM
14	XD2910014	SHOP FOX LABEL

COPYRIGHT © NOVEMBER, 2010 BY WOODSTOCK INTERNATIONAL, INC.

WARNING: NO PORTION OF THIS MANUAL MAY BE REPRODUCED IN ANY SHAPE OR FORM WITHOUT

#13429TS

THE WRITTEN APPROVAL OF WOODSTOCK INTERNATIONAL, INC.

Printed in China